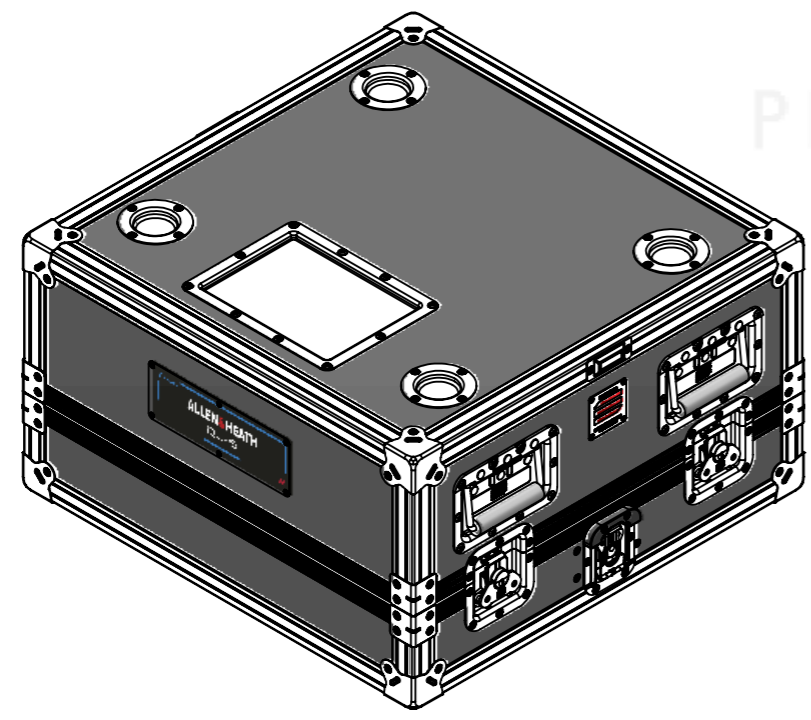
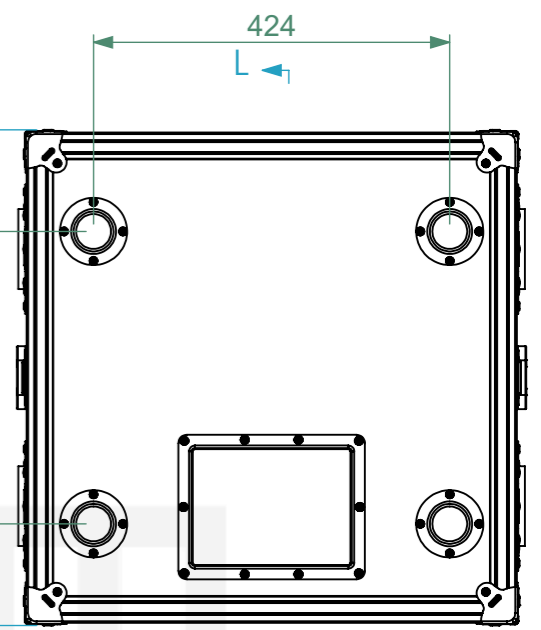
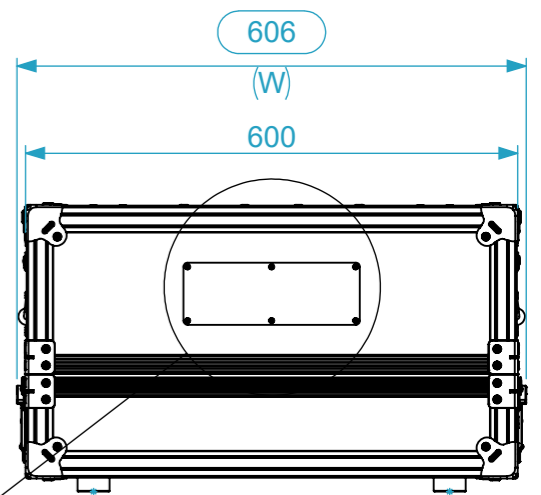
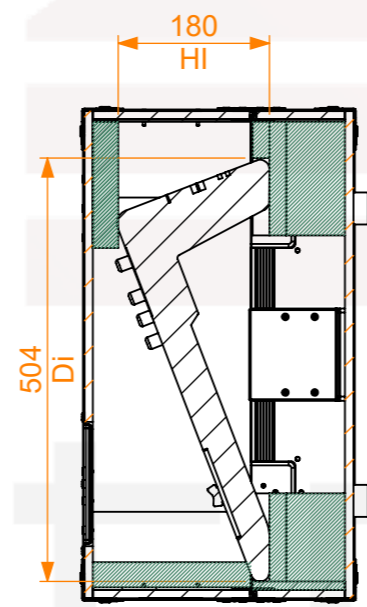
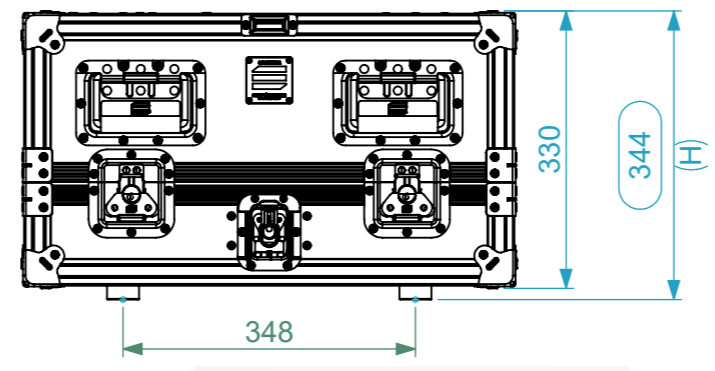


Equipment			Allen & Heath QU-5		
Width	Depth	Height			
440	502	183			
Weight	Approx. 10.5 Kg				
Internal Dimensions					
Width	Depth	Height			
444	504	180			
Weight	Approx. 22.75 Kg				
Wall Thickness			mm		

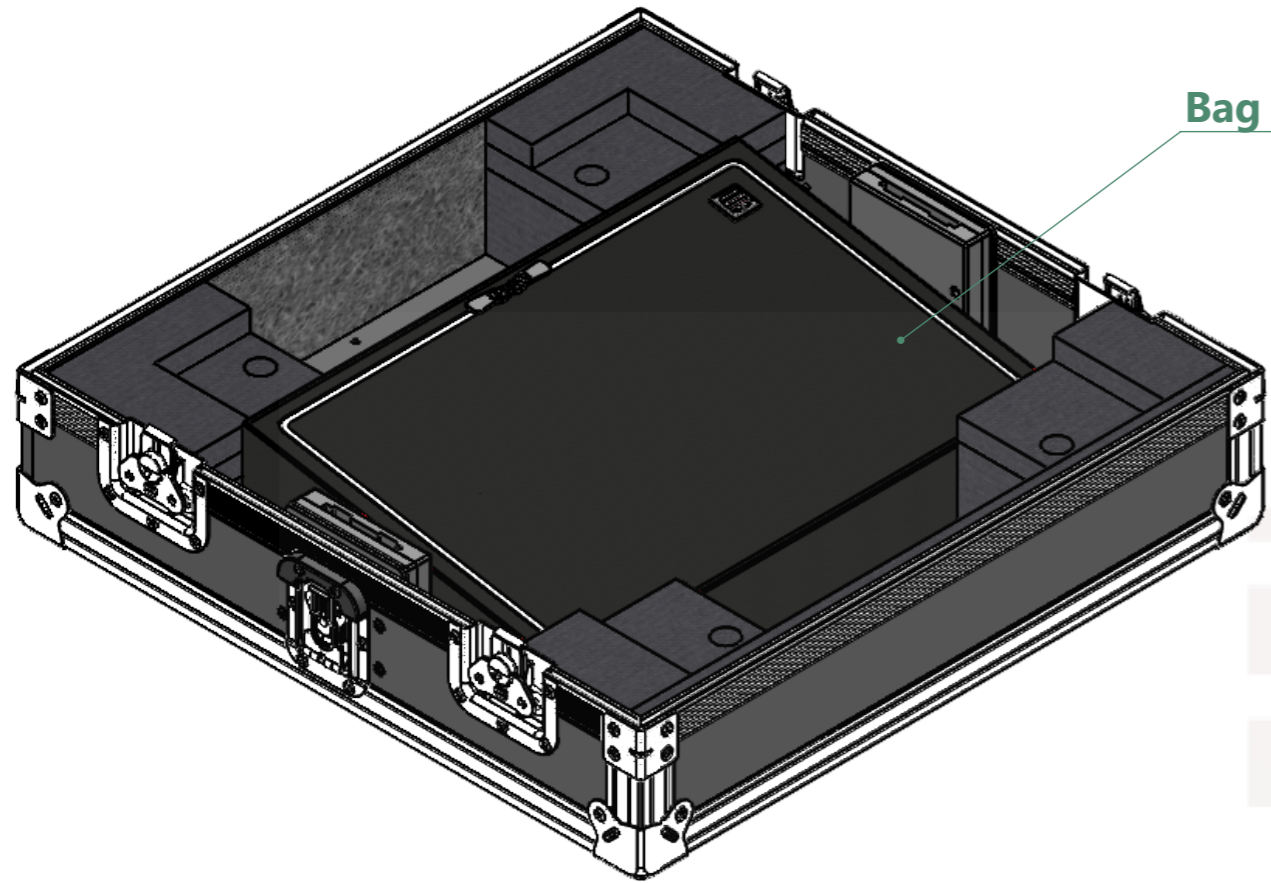


General External Dimensions		Usable Inner Dimensions	
W	Width	Wi	Inside Width
D	Depth	Di	Inside Depth
H	Height	Hi	Inside Height

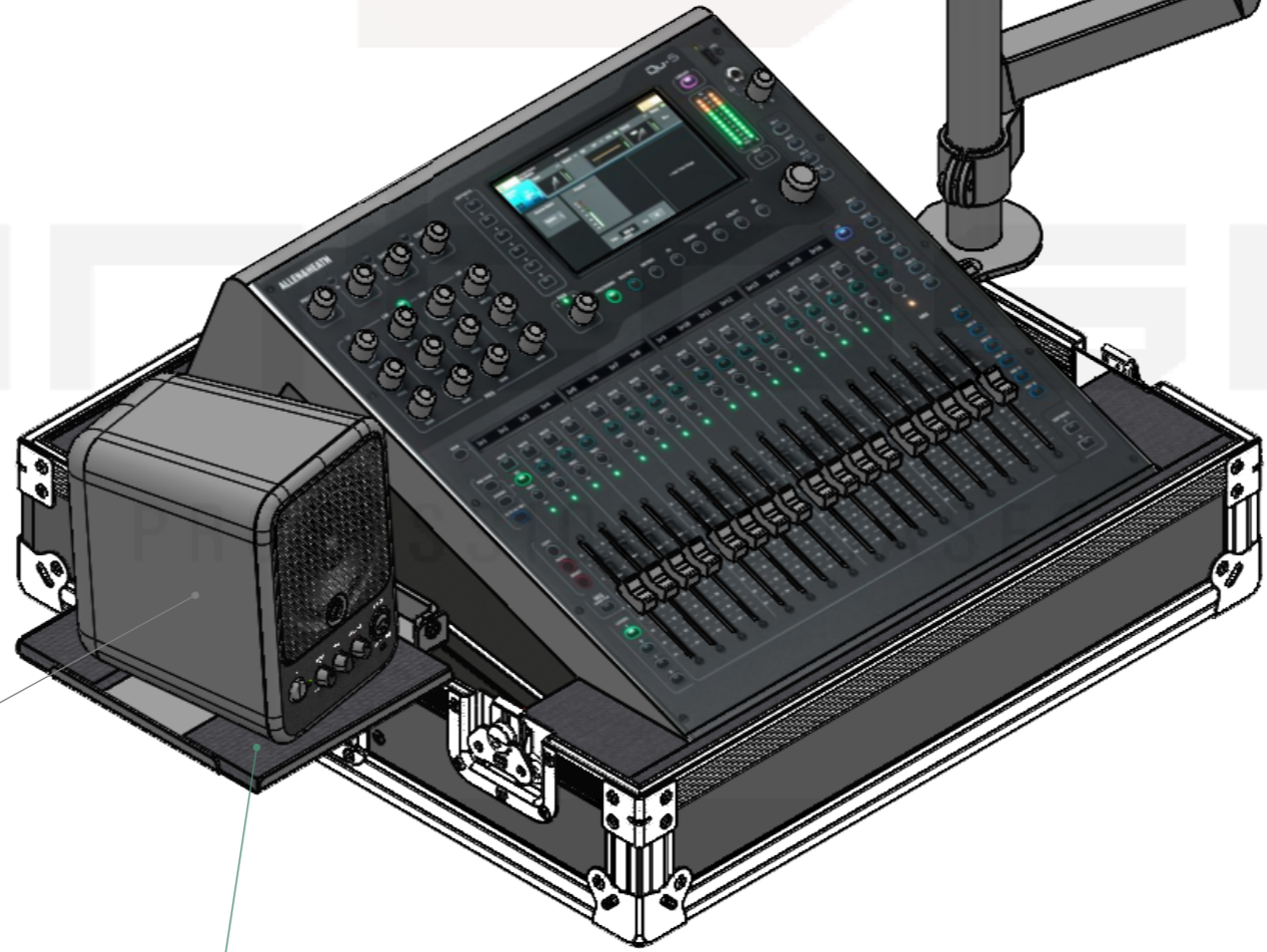
A3 This drawing must not be copied or disclosed without consent of the owner

Name	Date
Drawn by jose.couto	02/06/2026
Reference	CS2S.ALHQ5
Scale	1:9
units in mm	general tolerance 0.8mm
DO NOT SCALE	
Flight case, Allen & Heath QU-5 (Stackable)	





Bag for Accessories



Column

Support for Shout



Laptop

Universal Support for Laptop with Swivel Arm

Equipments	Not included
Accessories	Optional
Accessories	Included

A3 This drawing must not be copied or disclosed without consent of the owner

Drawn by	Name	Date
jose.couto	jose.couto	02/06/2026
Reference	CS2S.ALHQU5	
Scale	units in mm	general tolerance
1:5	DO NOT SCALE	0.8mm
1st Angle projection	Flight case, Allen & Heath QU-5 (Stackable)	

