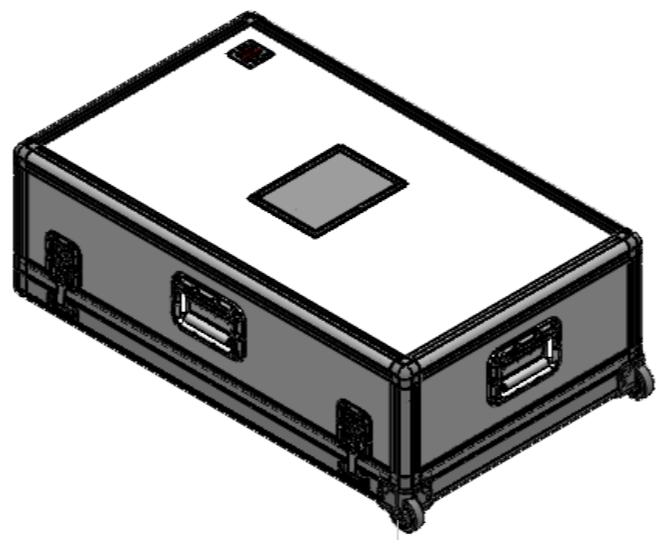
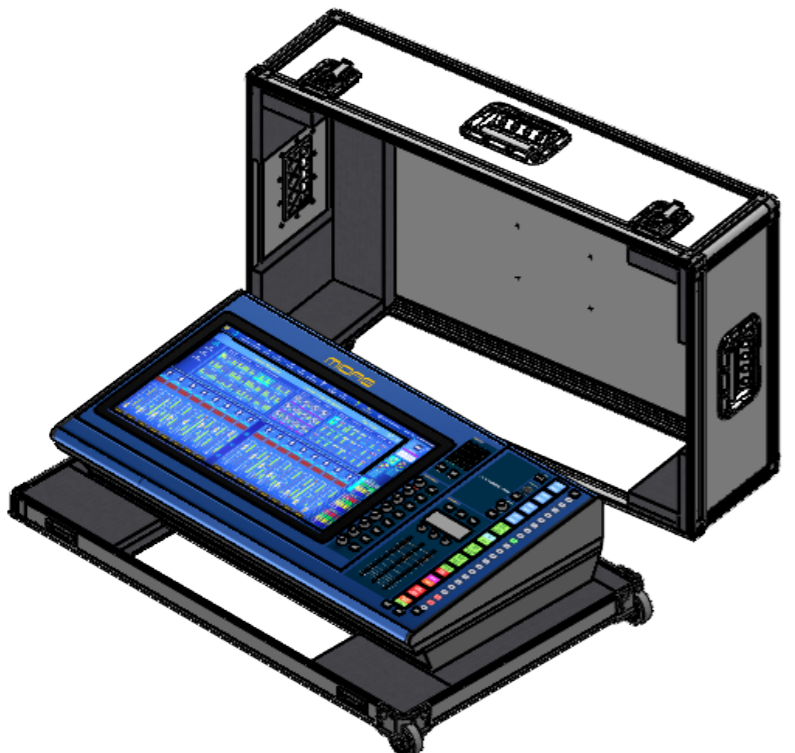
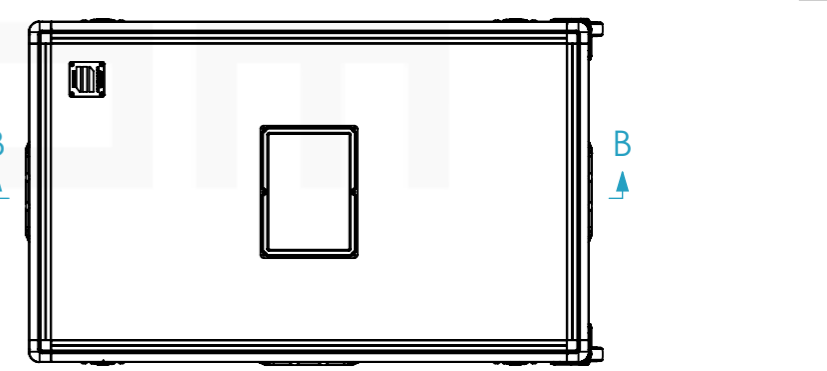
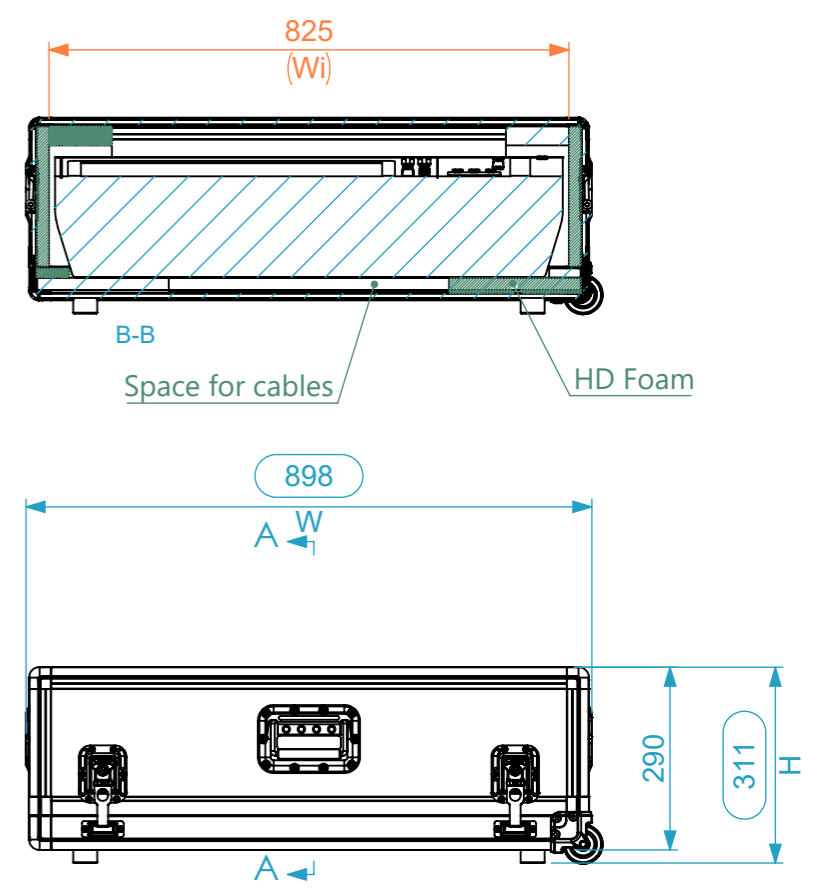
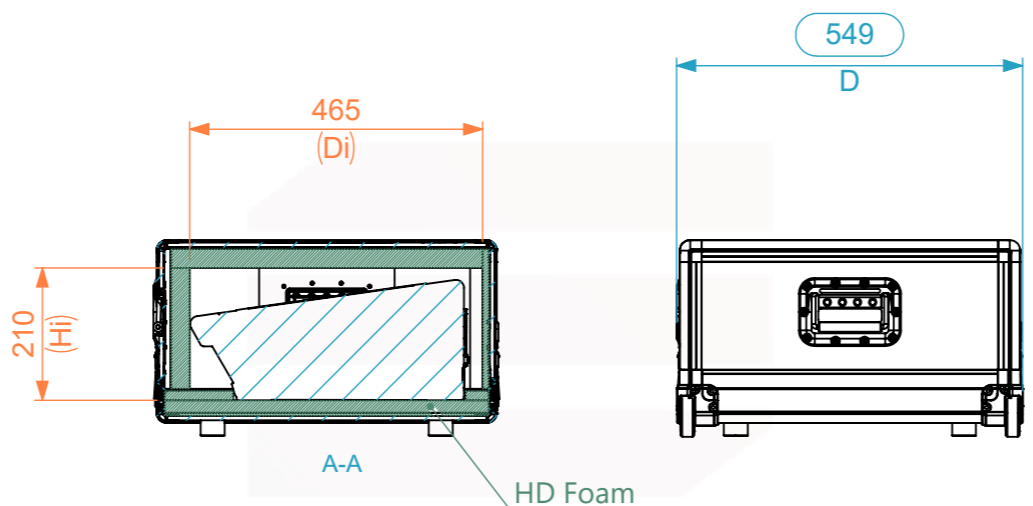
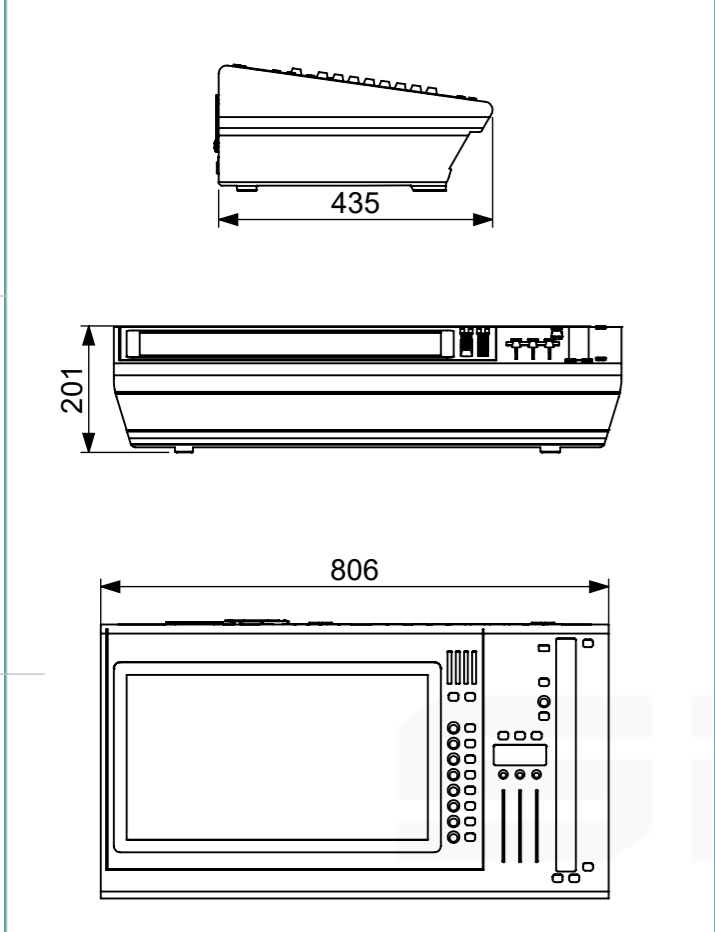


Equipment			Midas HD96-AIR		
Width	Depth	Height			
806	465	211			
Weight	Approx. 29.90 Kg				
Internal Dimensions					
Width	Depth	Height			
825	465	210			
FC Weight	Approx. 8.7 Kg				
Wall Thickness		7mm			



General External Dimensions		Usable Inner Dimensions	
W	Width	Wi	Inside Width
D	Depth	Di	Inside Depth
H	Height	Hi	Inside Height

Name	Date	
Drawn by	guilherme.santos	05/06/2026
Reference	CSA2.MIDHD96A	
Scale	1:12	units in mm DO NOT SCALE
general tolerance 0.8mm		
Aeris case Midas HD96-AIR		



This drawing must not be copied or disclosed without consent of the owner



A3