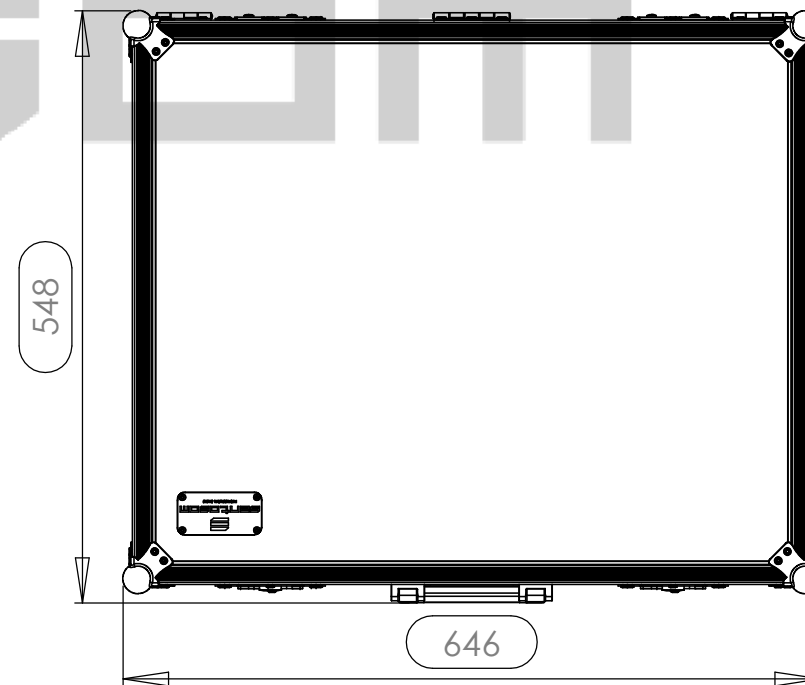
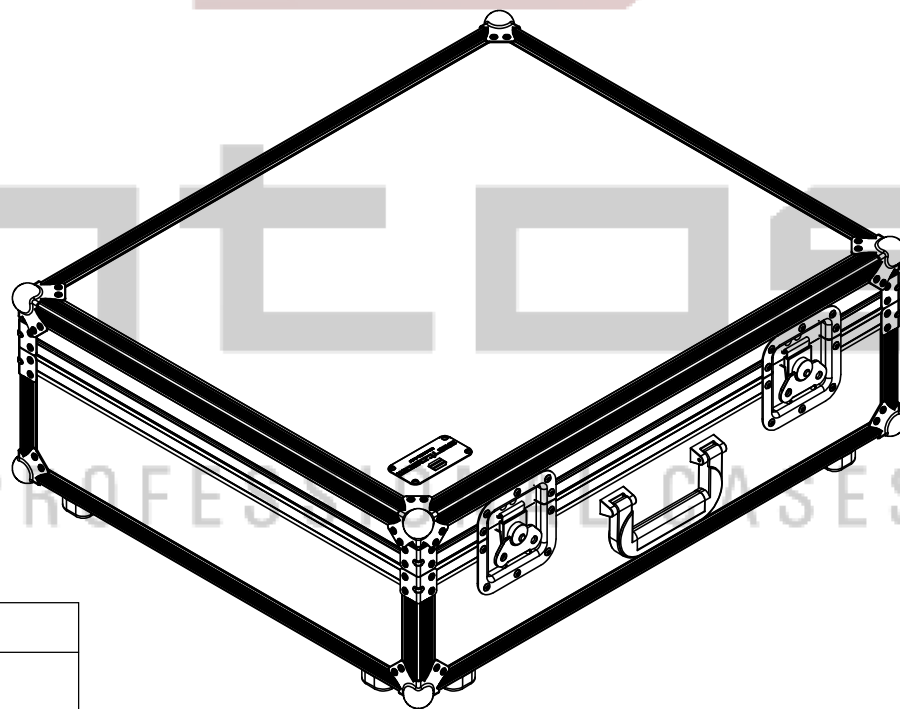
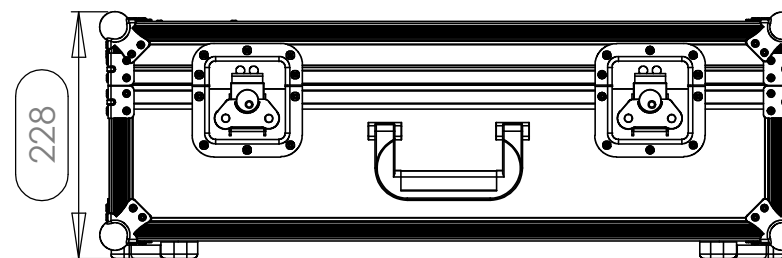
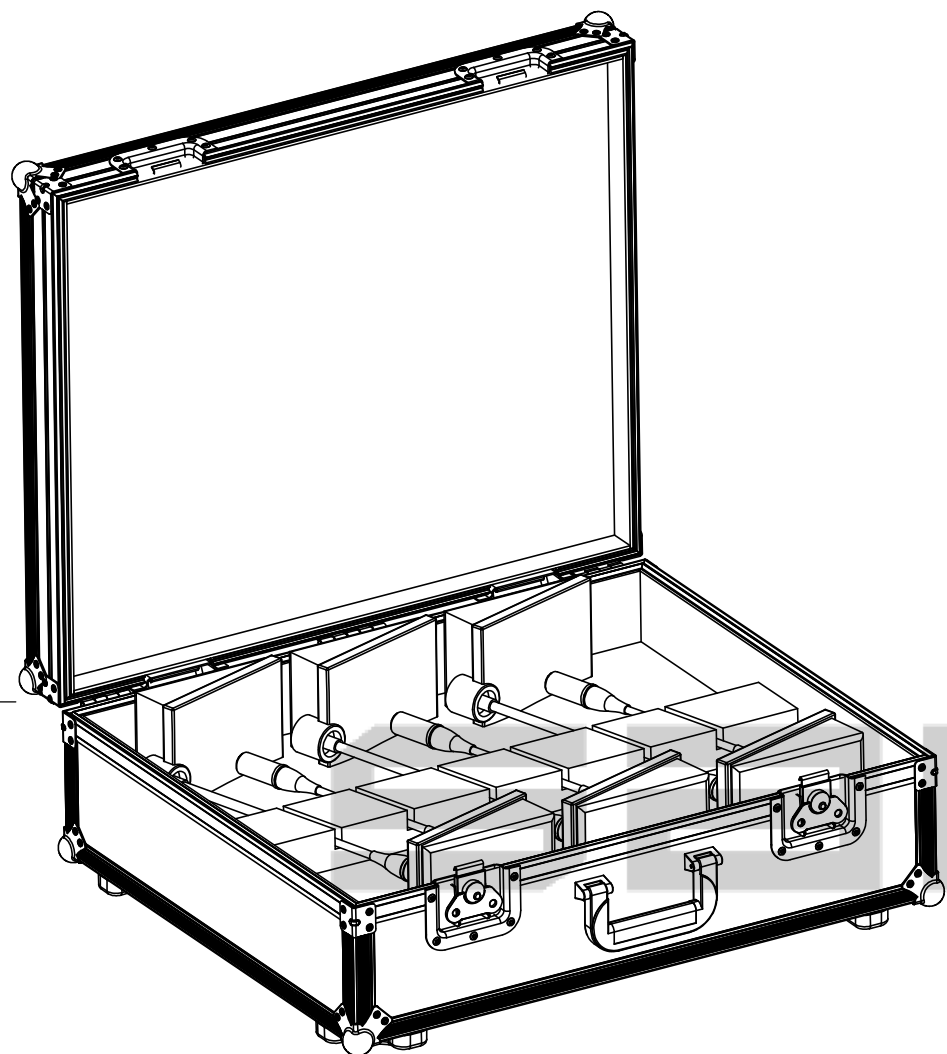


Interior dimensions		
Width	Depth	Height
601	495	150
Weight	Approx. 7 Kg	
Wall Thickness		7mm



Hardware	
Qty	Description
8	Medium corner-brace zinc plated 1,0mm
8	Small ball corner - 3 leg - zinc plated
2	Key lockable medium Butterfly special
2	Medium recessed lid stay
1	Chrome plated plastic with soft black plastic insert
1	Medium duty butt hinge z./p.
2	Hinge small 1,3 mm Steel zinc plated

Drawn by	Name	Date
DanielLopes	DanielLopes	14-11-2012
Reference	CONF.110	
Scale	units in mm	general tolerance
1:7	DO NOT SCALE	0.8mm
FC. 6 D.I.S. DM 4410P. Delegate Microfone		



This drawing must not be copied or disclosed without consent of the owner



A3