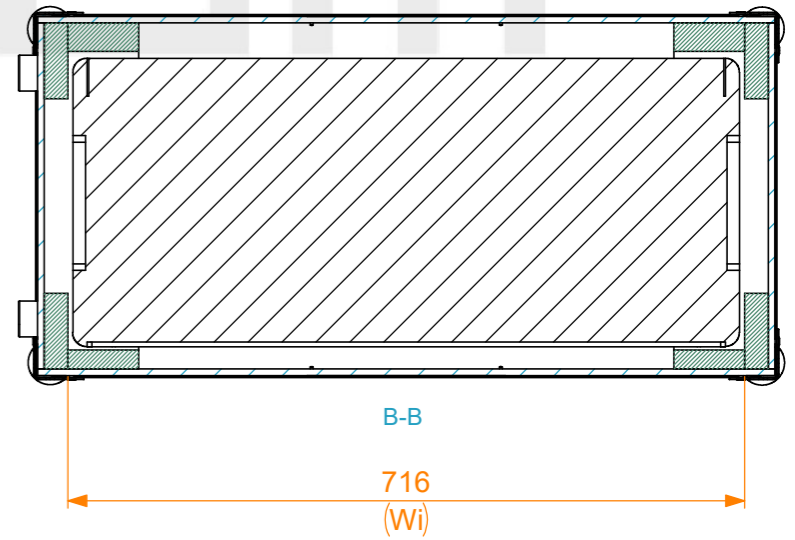
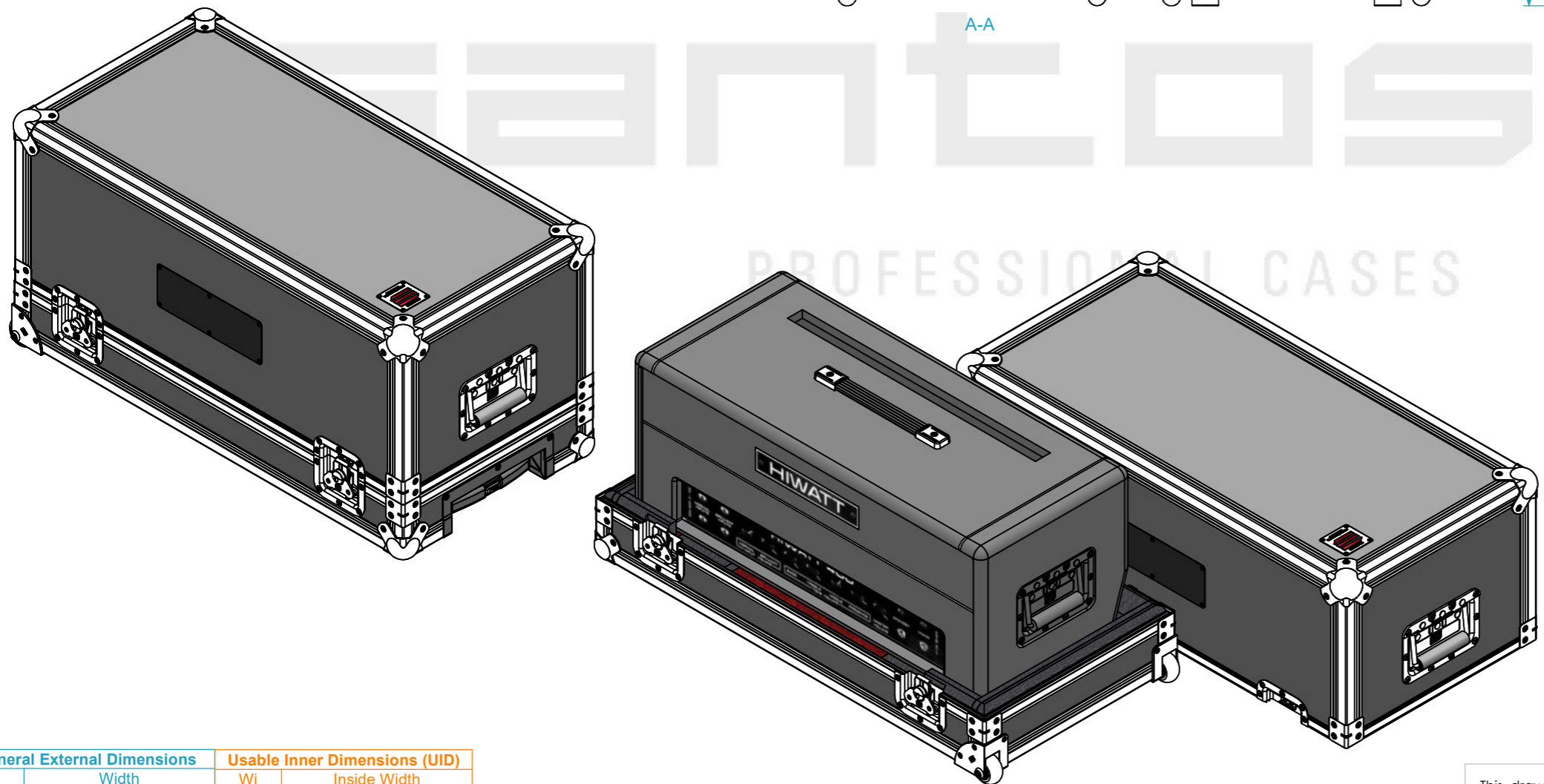
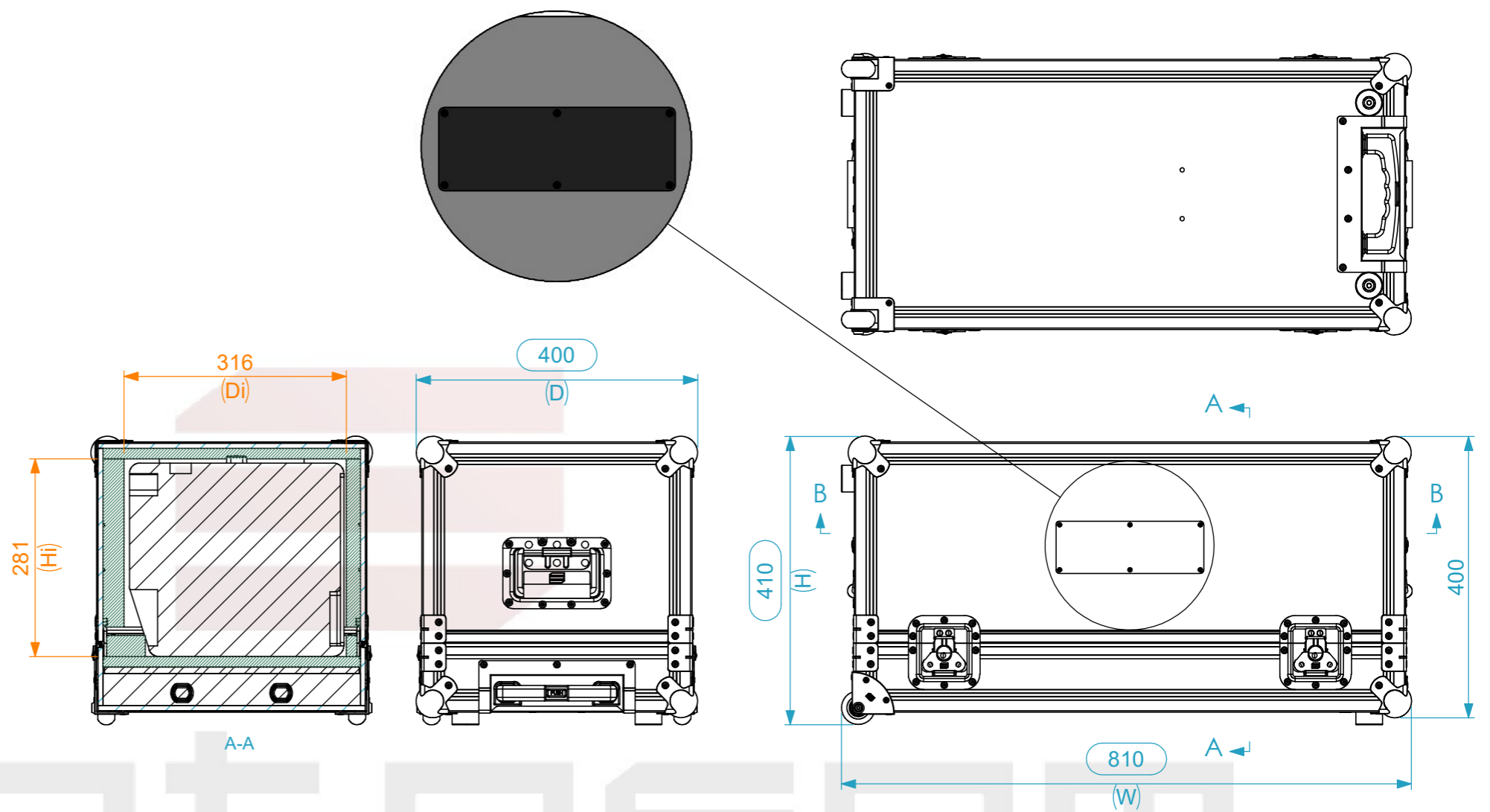
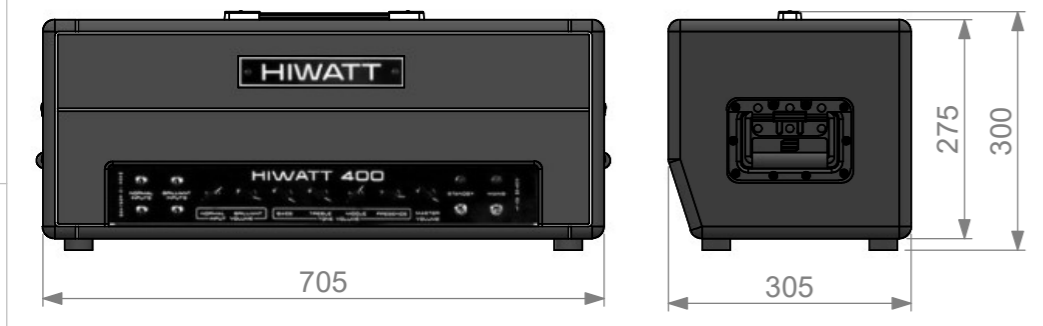


Equipment	HIWATT DR405 Bass amp	
Width	Depth	Height
705	305	300
Weight	Approx. 35 Kg	
Internal Dimensions		
Width	Depth	Height
716	316	281
FC Weight	Approx. 15 Kg	
Wall Thickness		7mm



General External Dimensions		Usable Inner Dimensions (UID)	
W	Width	Wi	Inside Width
D	Depth	Di	Inside Depth
H	Height	Hi	Inside Height

This drawing must not be copied or disclosed without consent of the owner

Drawn by	Name	Date
projects		27/05/2024
Reference	COMBO.624	
Scale	units in mm	general tolerance
1:8	DO NOT SCALE	0.8mm
1st Angle projection	Flight case, HIWATT DR405 Bass amp	



A3