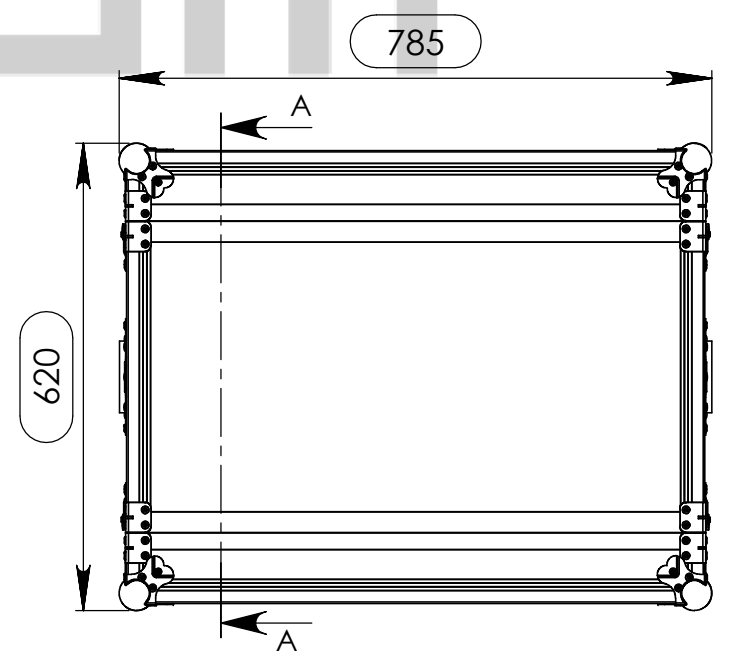
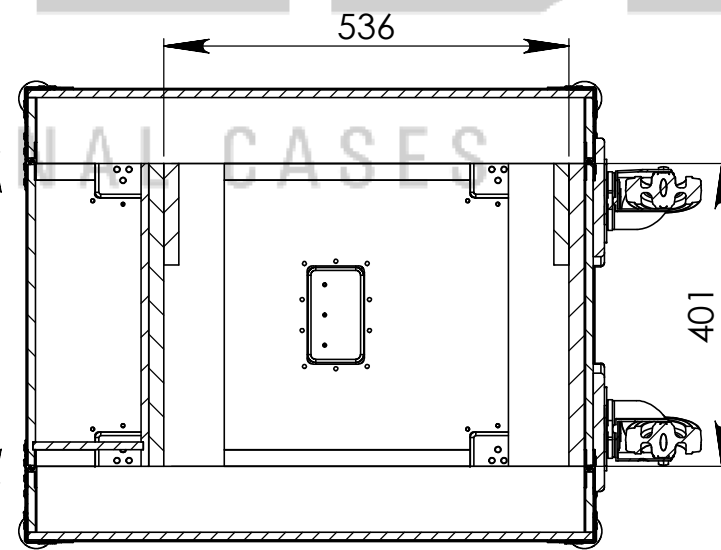
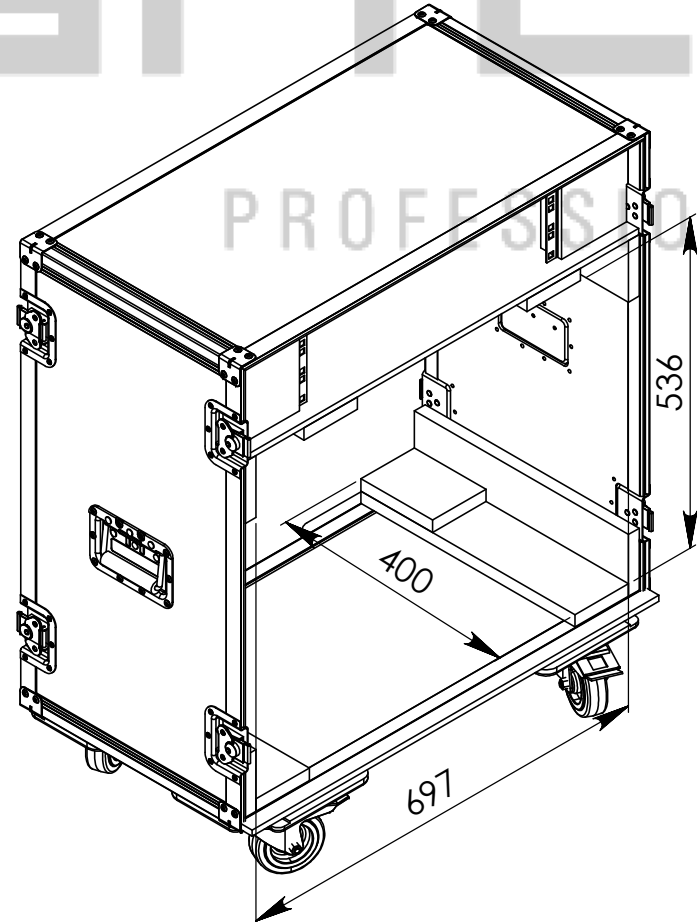
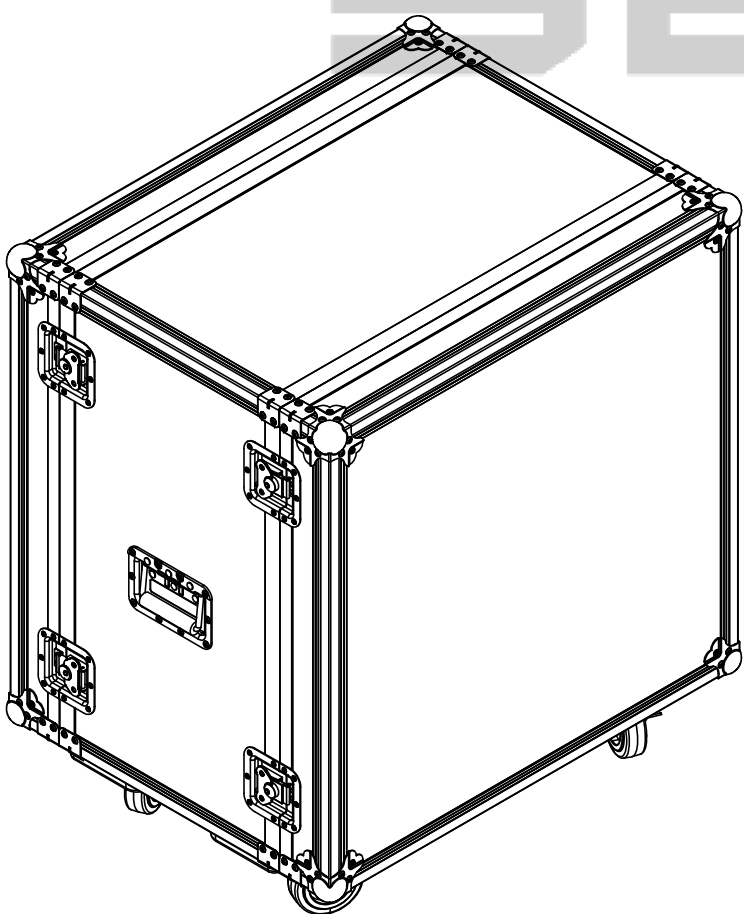
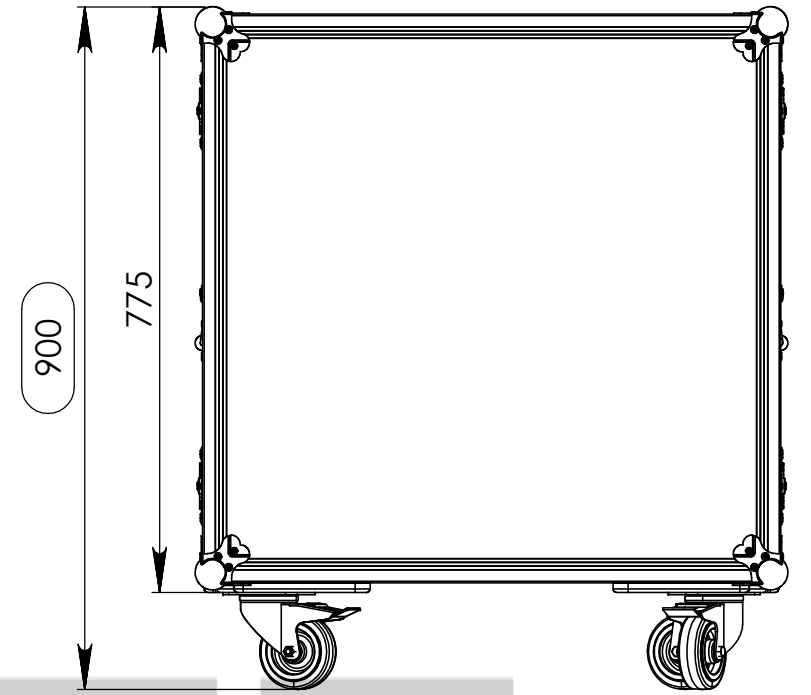
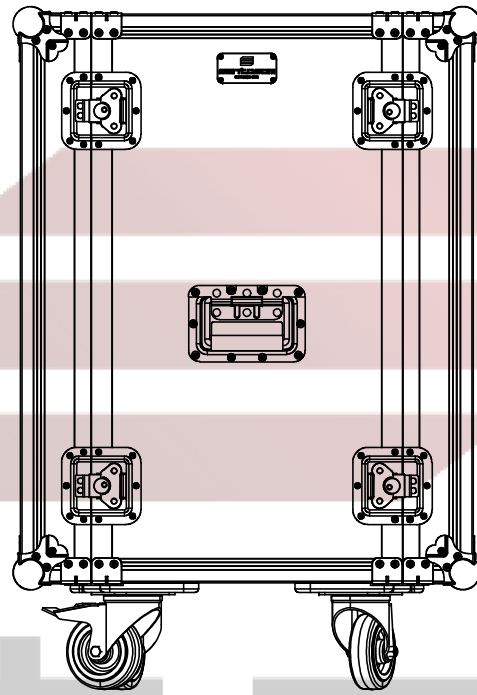
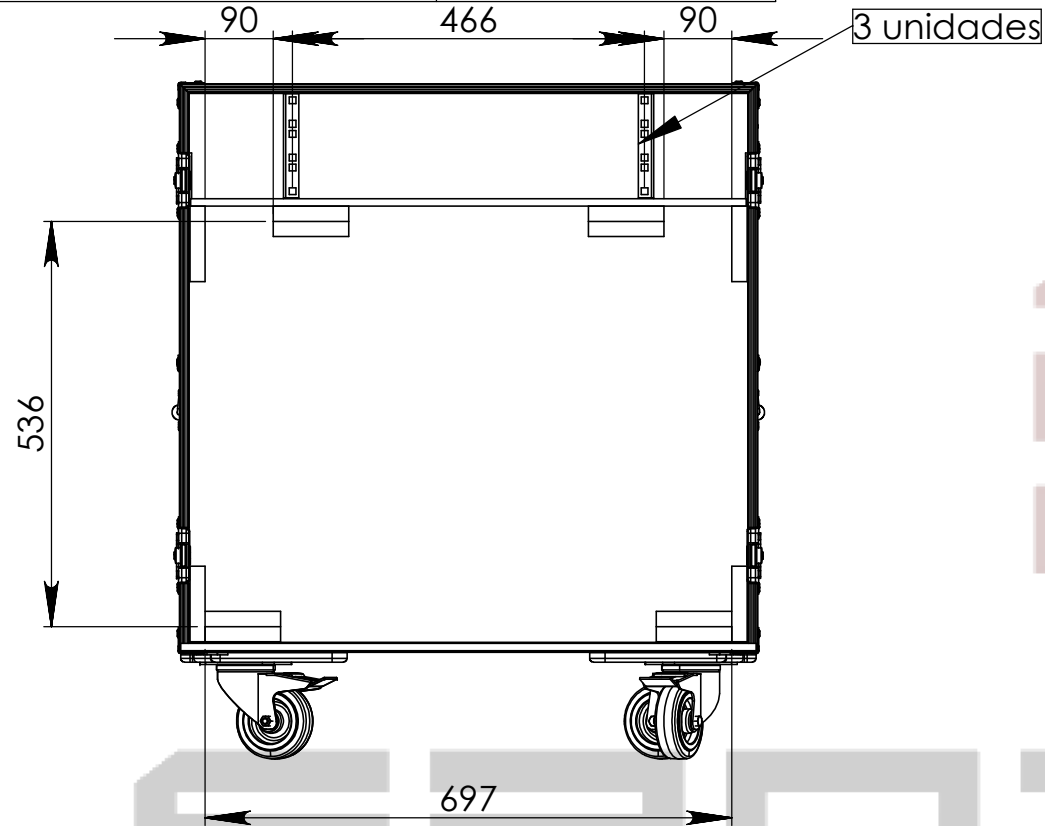


Interior dimensions		
Width	Depth	Height
697	400	536
Weight	Approx. 37 Kg	
Wall Thickness	10mm	



Drawn by	Name	Date
DanielLopes	DanielLopes	21-05-2012
Reference	COMBO.145R	
Scale	units in mm	general tolerance
1:10	DO NOT SCALE	±0.8mm
1st Angle projection	FC. VOX AC50 CP2 + 3UN 19" Rack, rodas	

This drawing must not be copied or disclosed without consent of the owner

