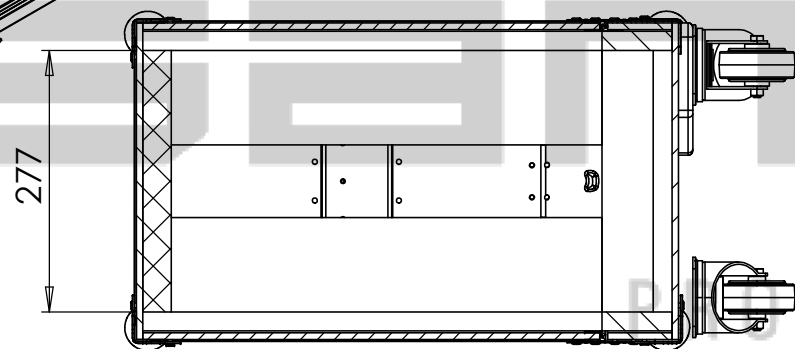
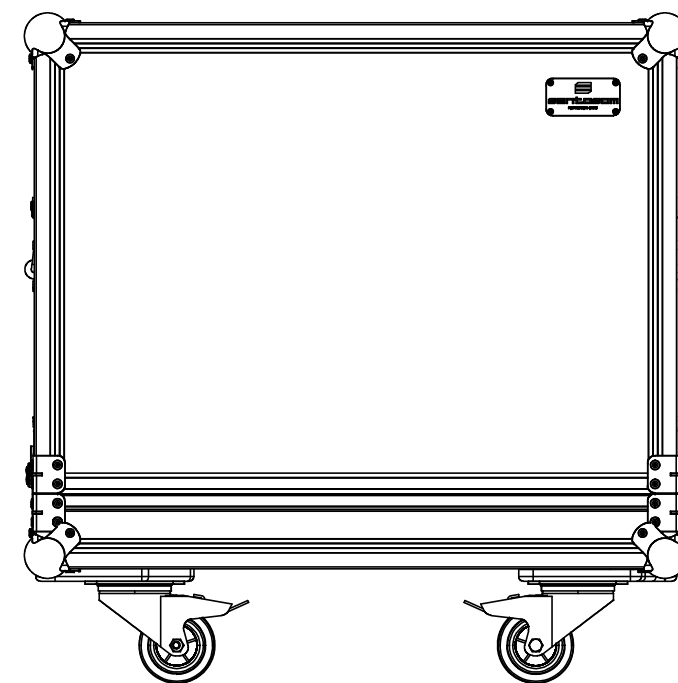
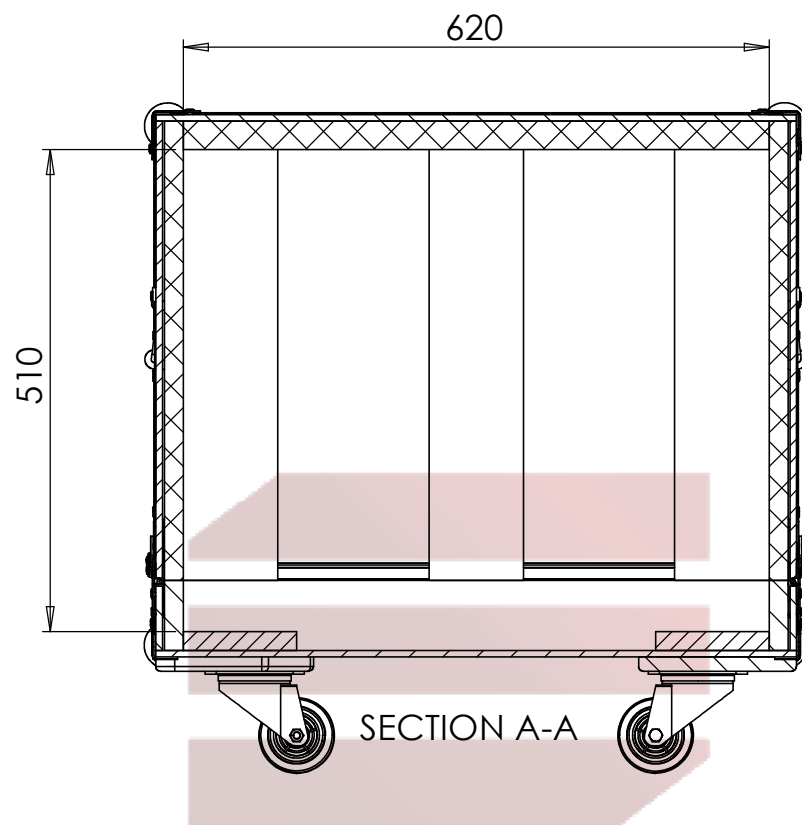
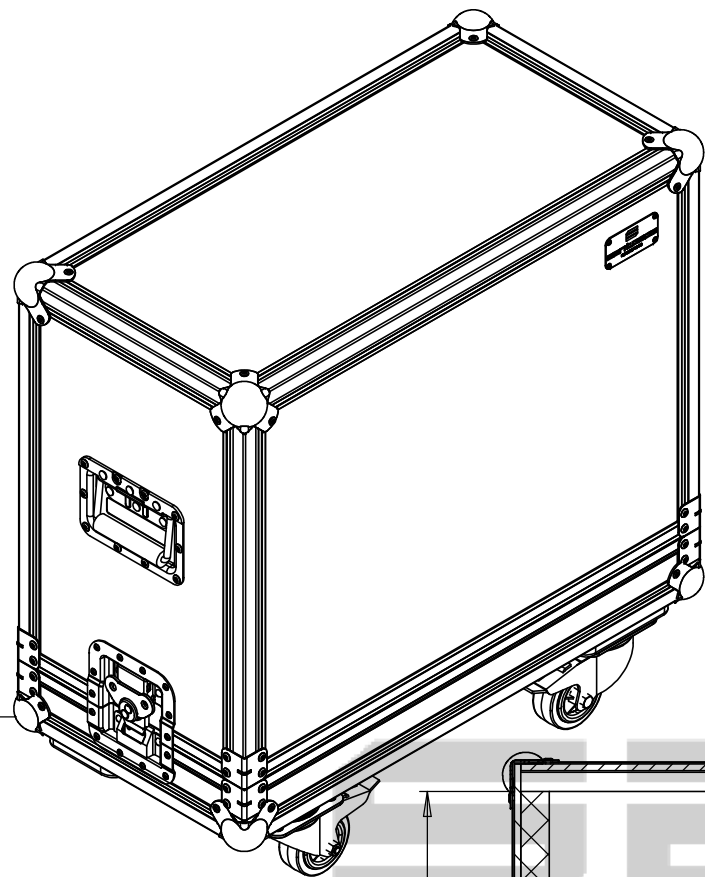
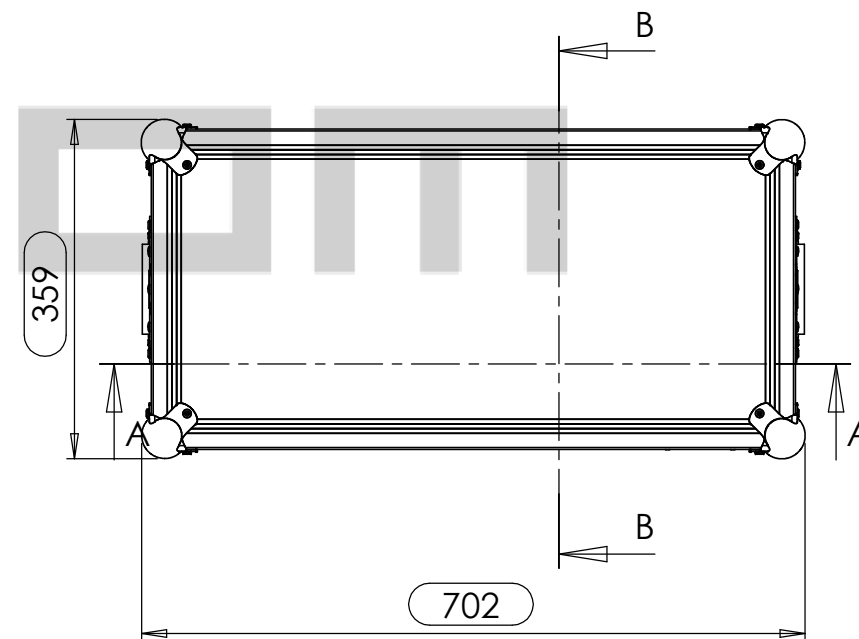
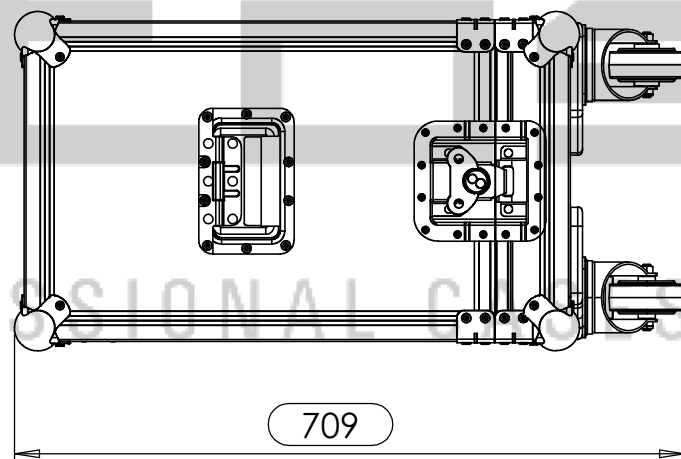


Interior dimensions		
Width	Depth	Height
620	277	510
Weight	Approx. 20 Kg	
Wall Thickness	7mm	



SECTION B-B



Hardware	
Qty	Description
8	Medium ball corner zinc plated
8	Large corner bracket f. 35mm case angle
2	Recessed sprung handle medium model
2	Large butterfly V3 with 'push-back' function in 14mm dish
2	Swivel castor Ø80 mm with brake
2	Swivel castor Ø80 mm without brake

This drawing must not be copied or disclosed without consent of the owner



Scale 1:8

units in mm DO NOT SCALE

general tolerance 0.8mm

Reference COMBO.124R8

Drawn by pedroneves

Date 05-07-2012

