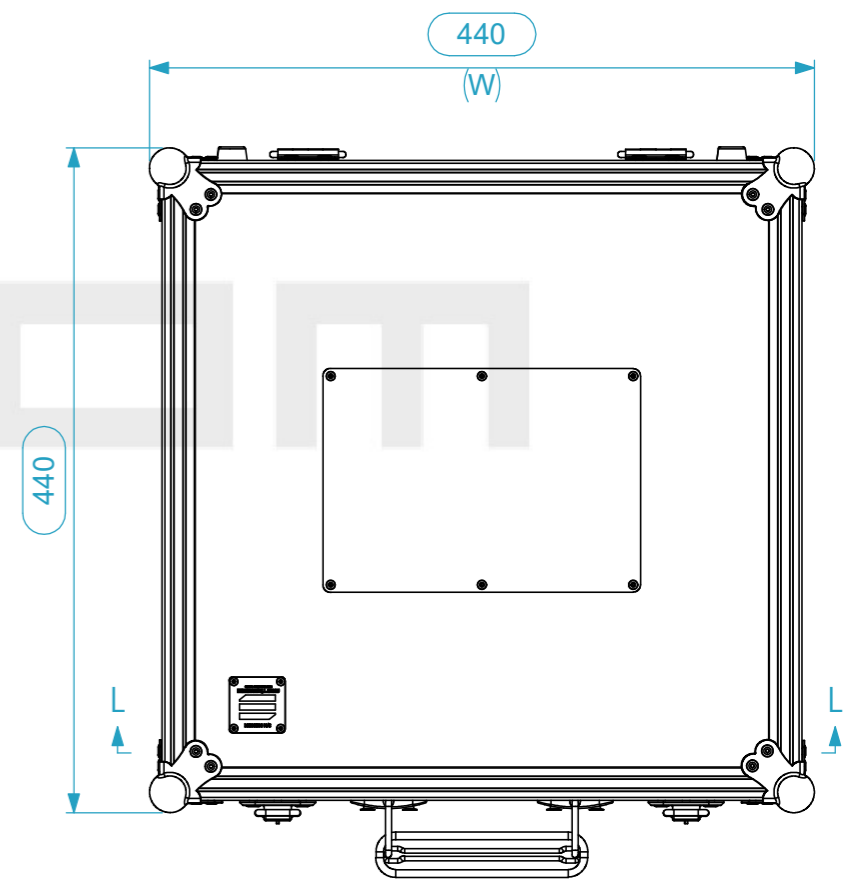
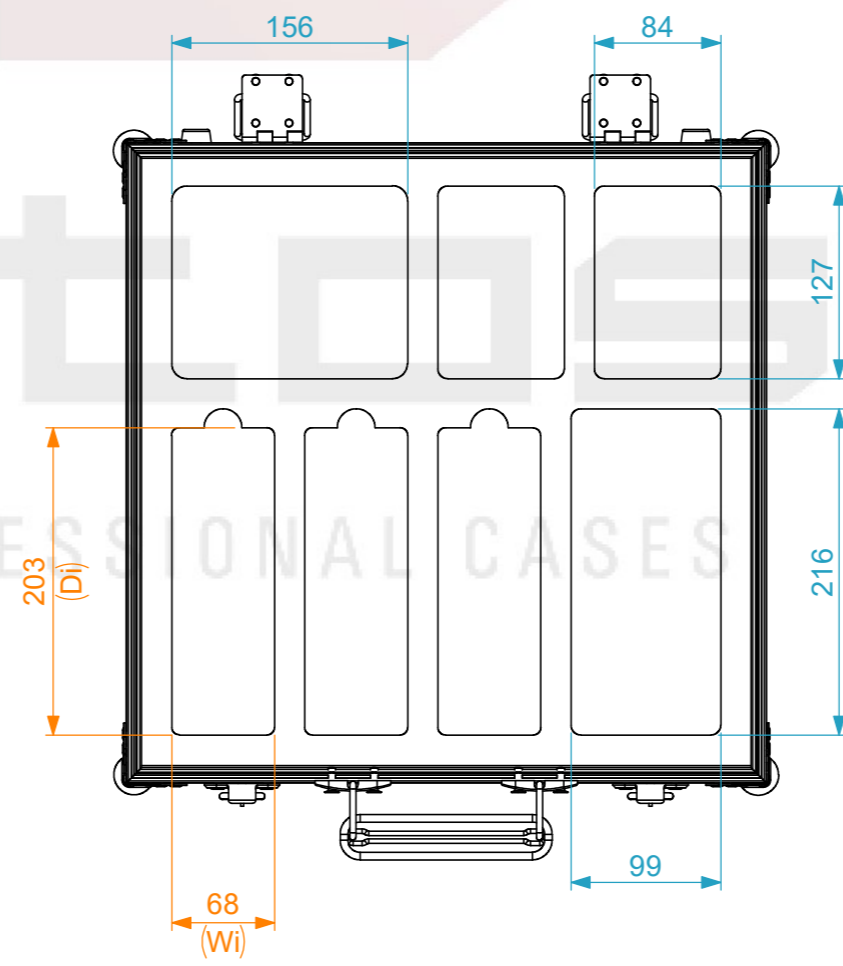
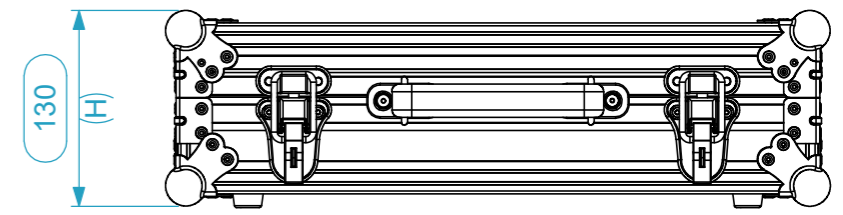
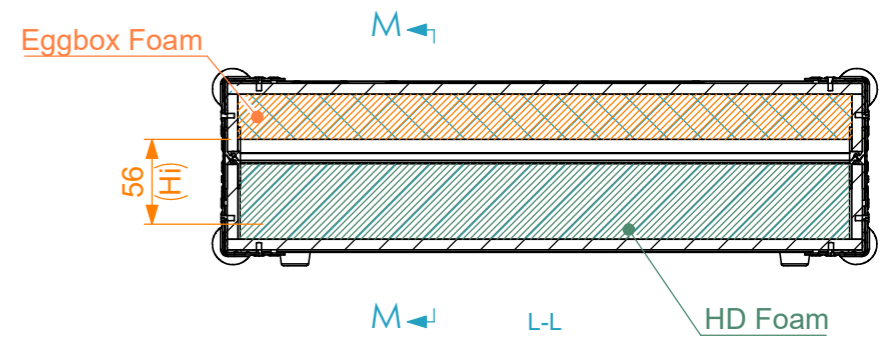
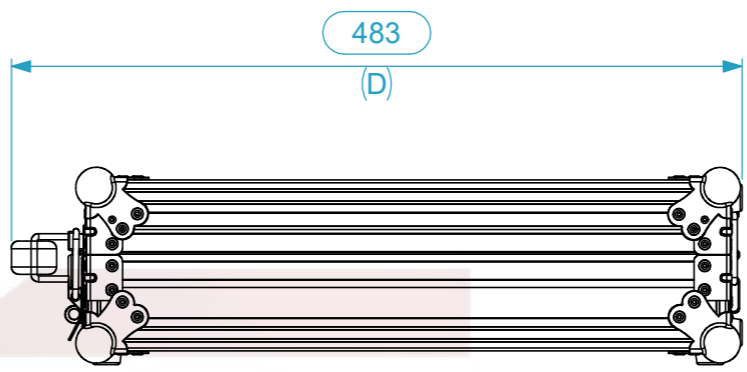
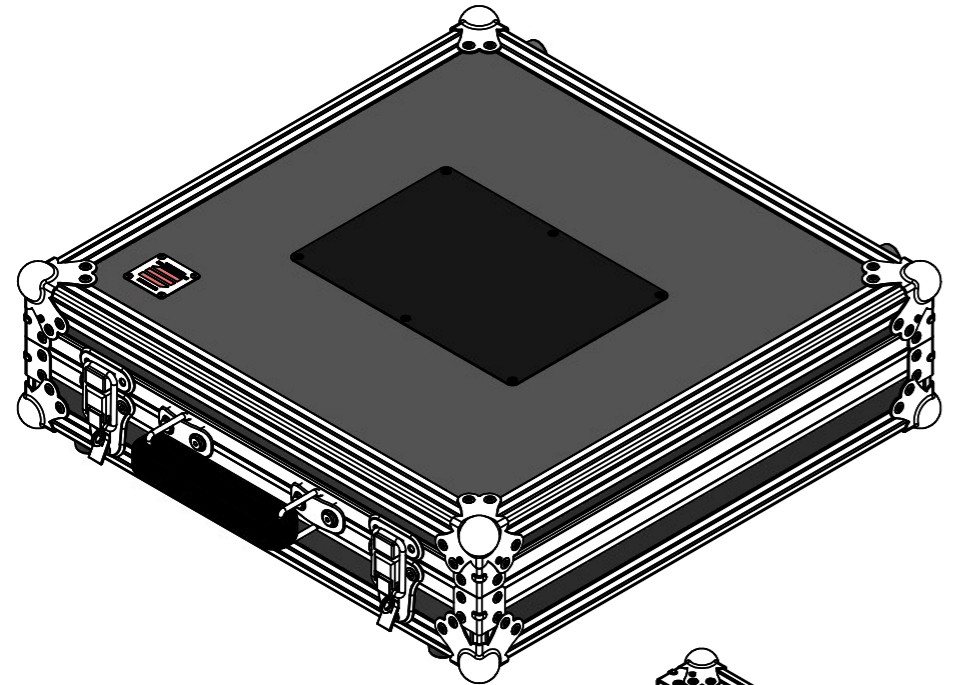


Internal Dimensions		
Width	Depth	Height
68	203	56
Weight	Approx. 4 Kg	
Wall Thickness	7mm	



General External Dimensions		Usable Inner Dimensions	
W	Width	Wi	Inside Width
D	Depth	Di	Inside Depth
H	Height	Hi	Inside Height

Name	Date
Drawn by	projects 07/06/2024
Reference	CLEAN.CASE.BASE
Scale	1:5
units in mm	general tolerance 0.8mm
DO NOT SCALE	
Kit de limpeza flight case (BASE)	



This drawing must not be copied or disclosed without consent of the owner



A3