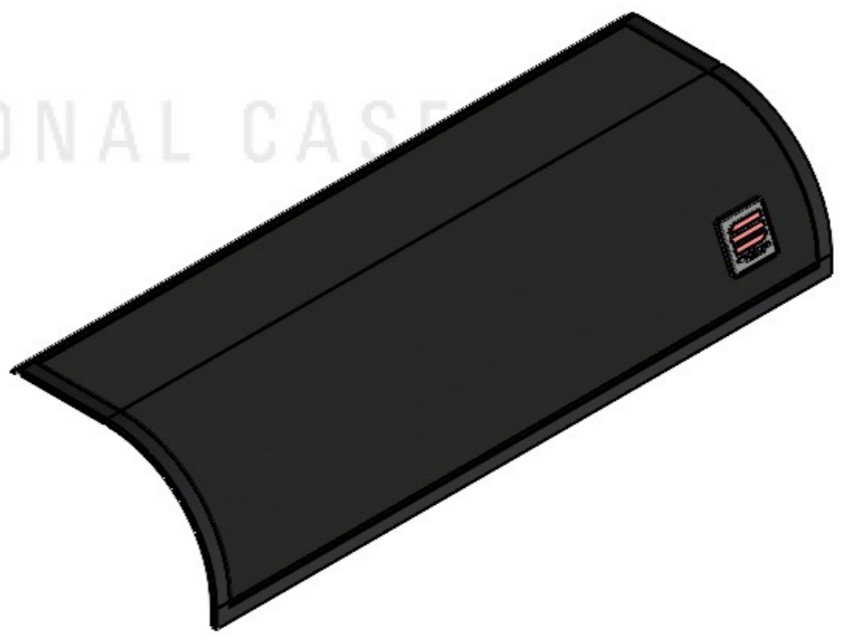
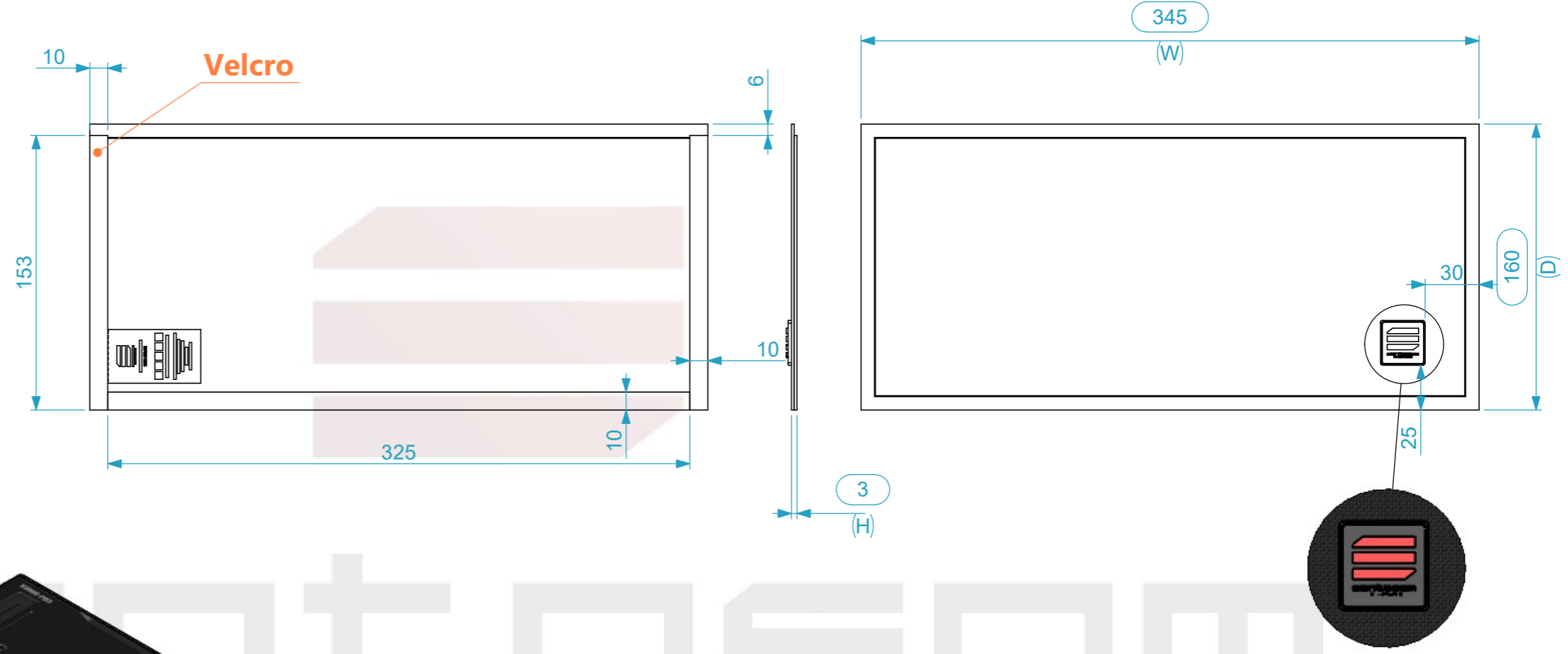


Internal Dimensions		
Width	Depth	Height
345	160	3
Weight	Approx. 0 Kg	
Wall Thickness		2 mm



SANTOSOM  
PROFESSIONAL CASES

General External Dimensions	
W	Width
D	Depth
H	Height

A3 This drawing must not be copied or disclosed without consent of the owner

Drawn by	Name	Date
catarina.silva	catarina.silva	07/05/2026
Reference	CCOV.PNR3000X	
Scale	units in mm	general tolerance
1:3	DO NOT SCALE	0.8mm
Capa para Móvel Pioneer CDJ 3000X		

