

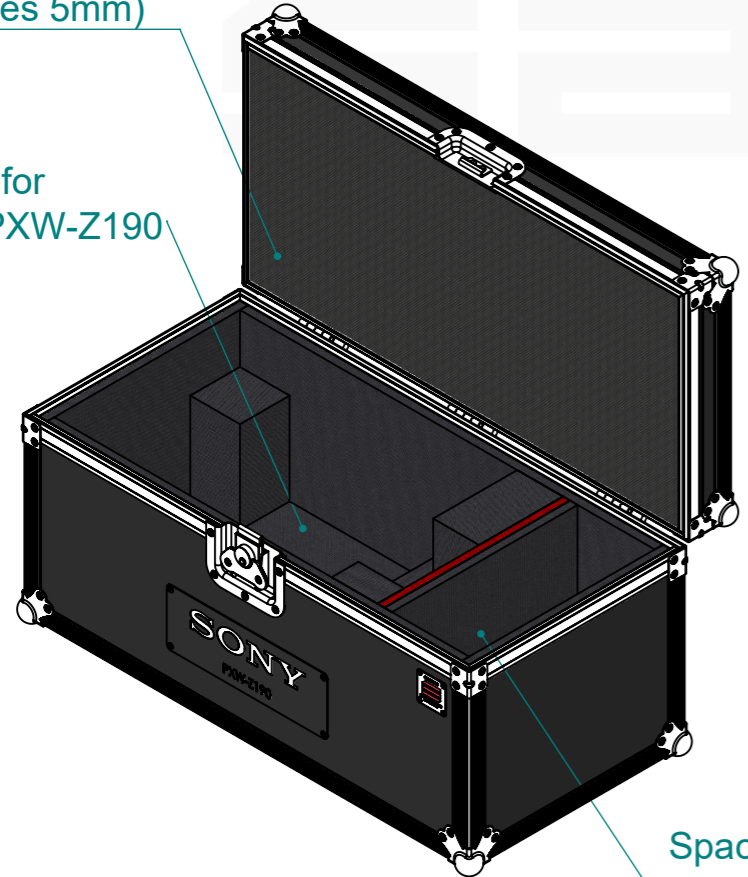
Equipment		
Sony PXW-Z190		
Width	Depth	Height
202	300	240
Internal Dimensions		
Width	Depth	Height
563	263	266
Weight	Approx. 7 Kg	
Wall Thickness	7mm	

Sony PXW-Z190

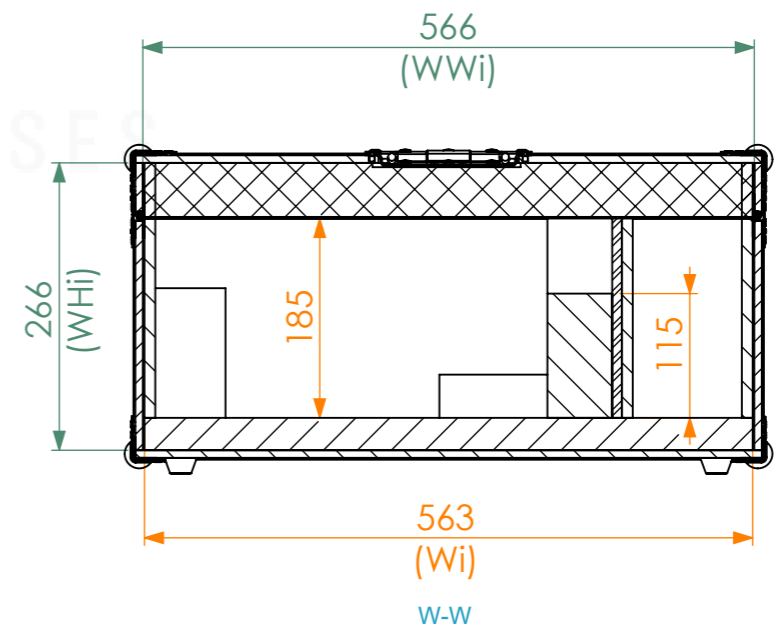
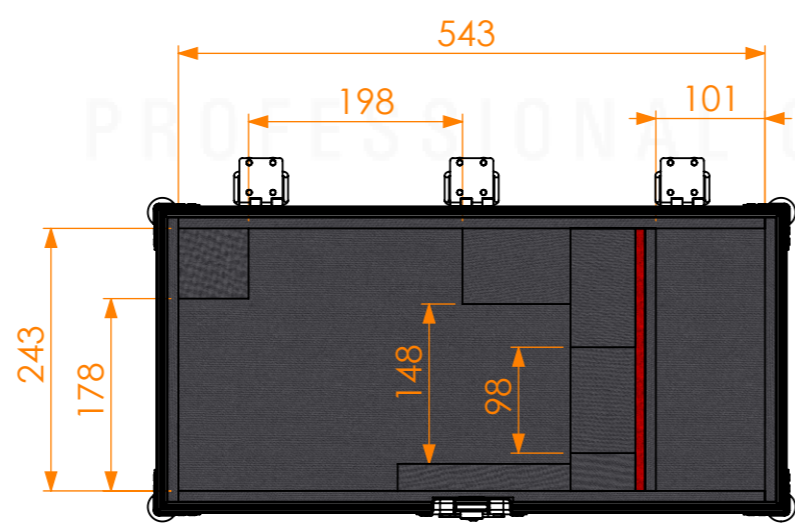
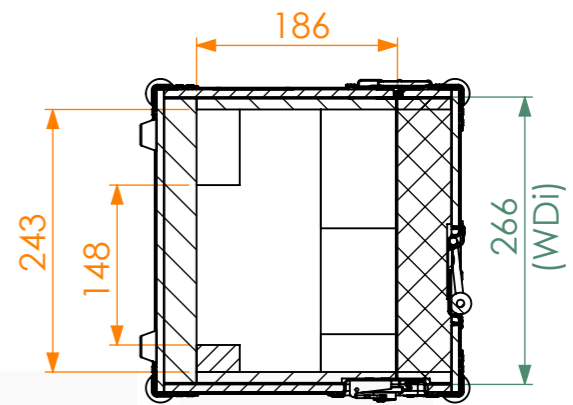
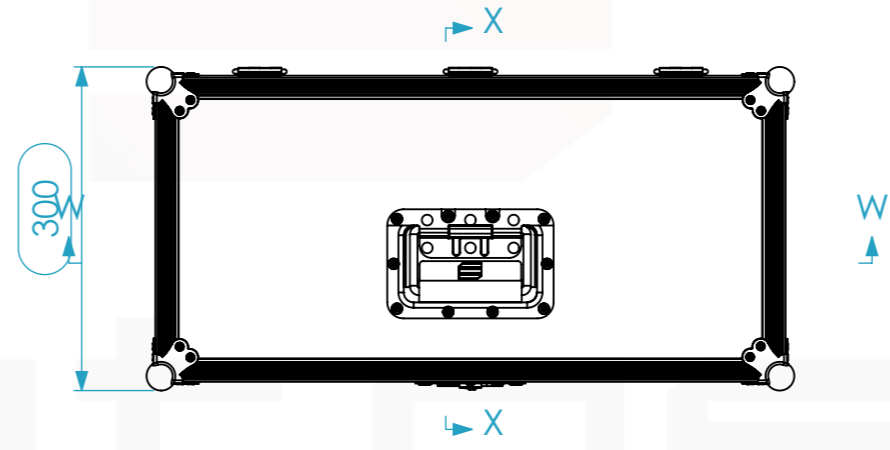
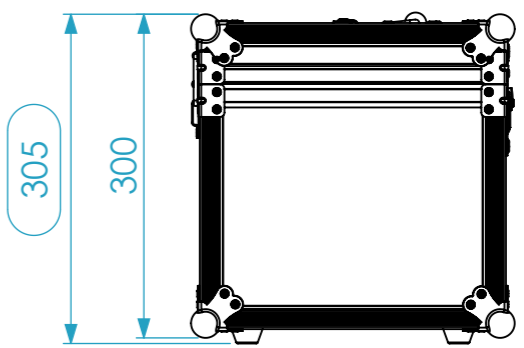
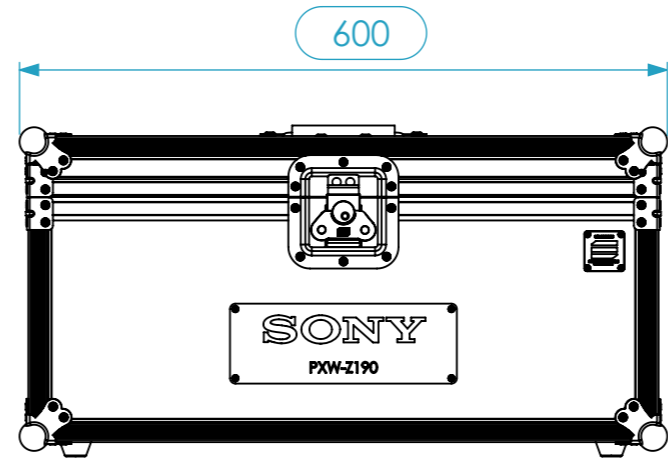


EGGBOX FOAM  
50mm THICK  
(presses 5mm)

Space for  
Sony PXW-Z190



Space for  
accessories



General External Dimensions	
W	Width
D	Depth
H	Height
Usable Inner Dimensions	
Wi	Inside Width
Di	Inside Depth
Hi	Inside Height
Wood Inner Dimensions	
WWi	Wood Inside Width
WDi	Wood Inside Depth
WHi	Wood Inside Height

Drawn by	Name	Date
projects		15/09/2020
Reference	CAM12.108	
Scale	units in mm	general tolerance
1:7	DO NOT SCALE	0.8mm
1st Angle projection	FC, Sony PXW-Z190	

This drawing must not be copied or disclosed without consent of the owner

