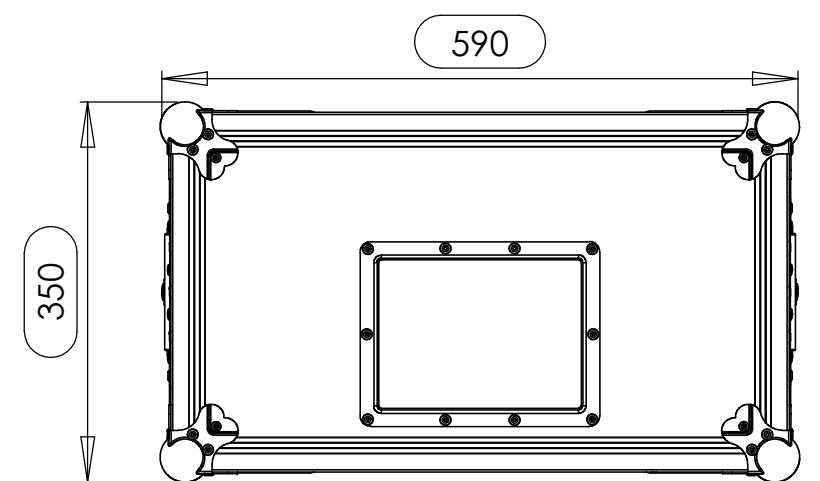
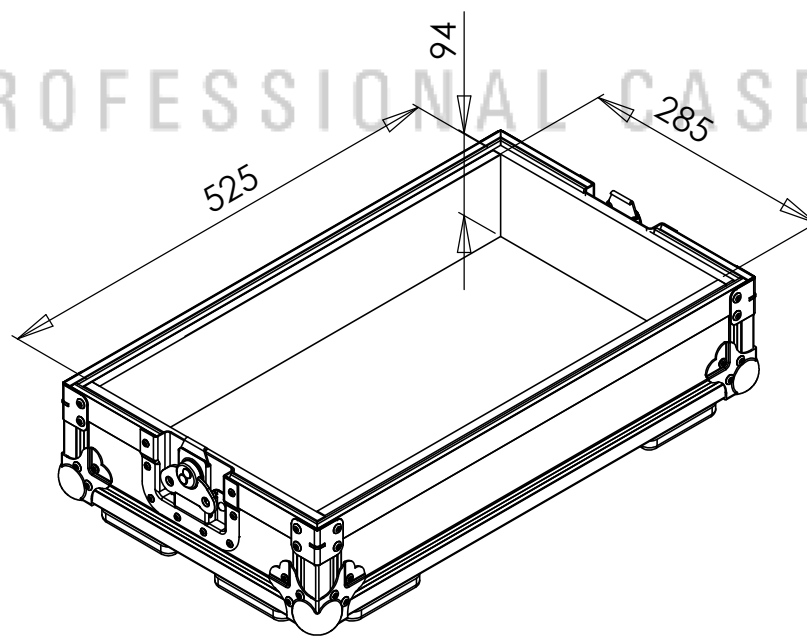
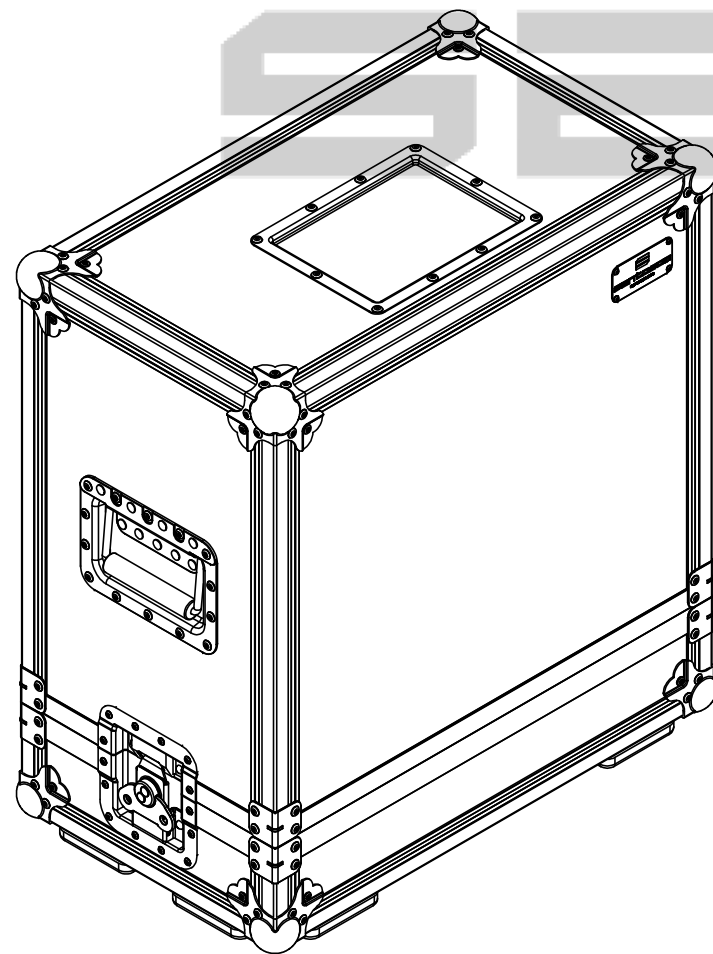
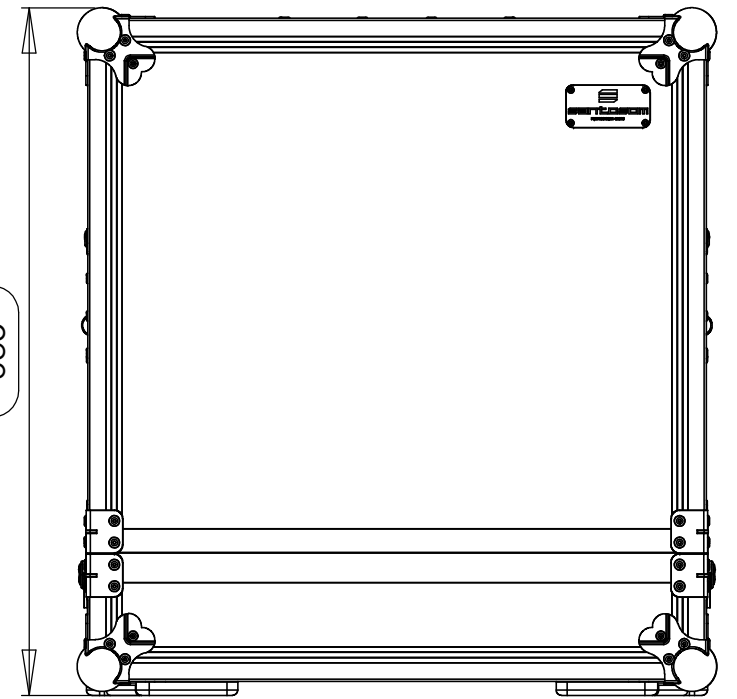
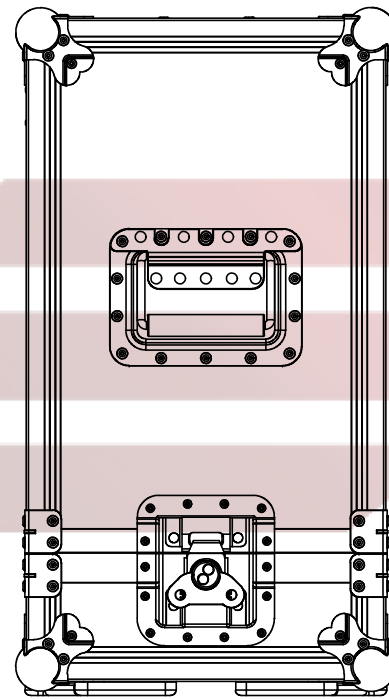
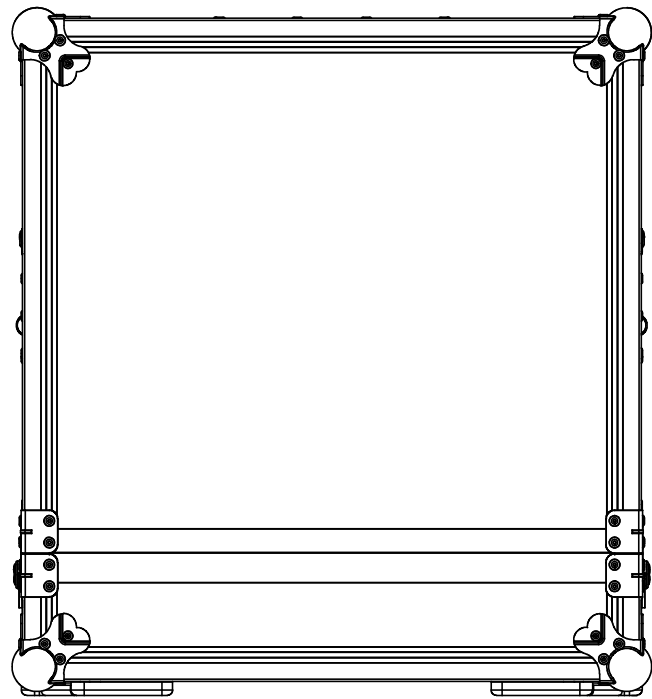


Interior dimensions		
Width	Depth	Height
525	285	550
Weight	Approx. 17 Kg	
Wall Thickness		10mm



Drawn by	Name	Date
DanielLopes	DanielLopes	13-03-2012
Reference	CABLE.1274	
Scale	units in mm	general tolerance
1:7	DO NOT SCALE	±0.8mm
1st Angle projection	FC, P/ Stagebox Great Events 40-10	

This drawing must not be copied or disclosed without consent of the owner

