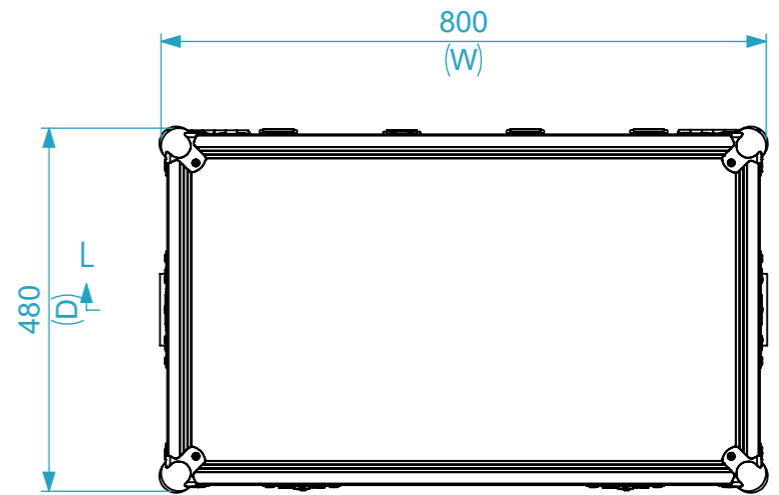
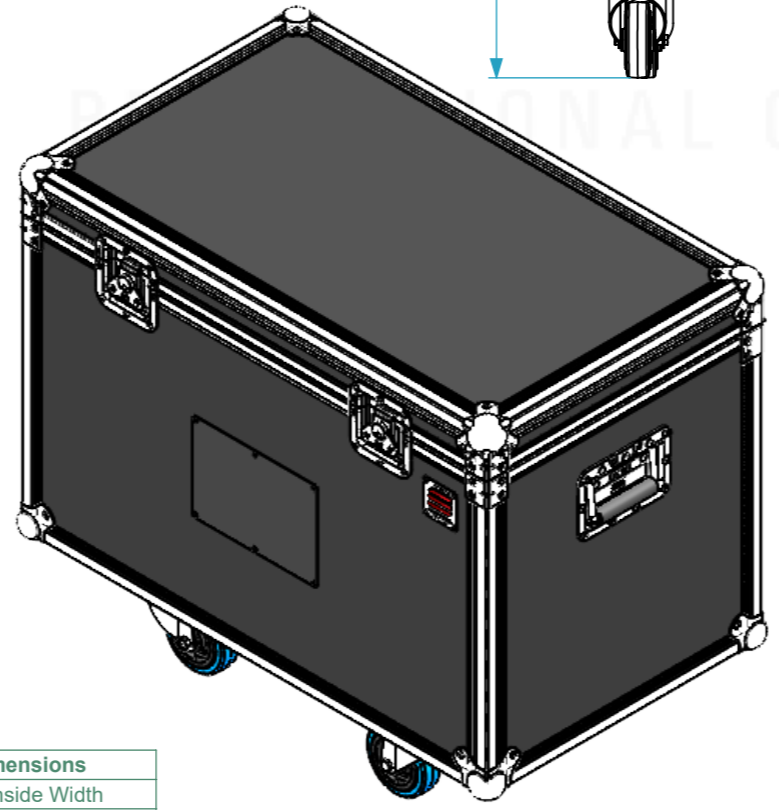
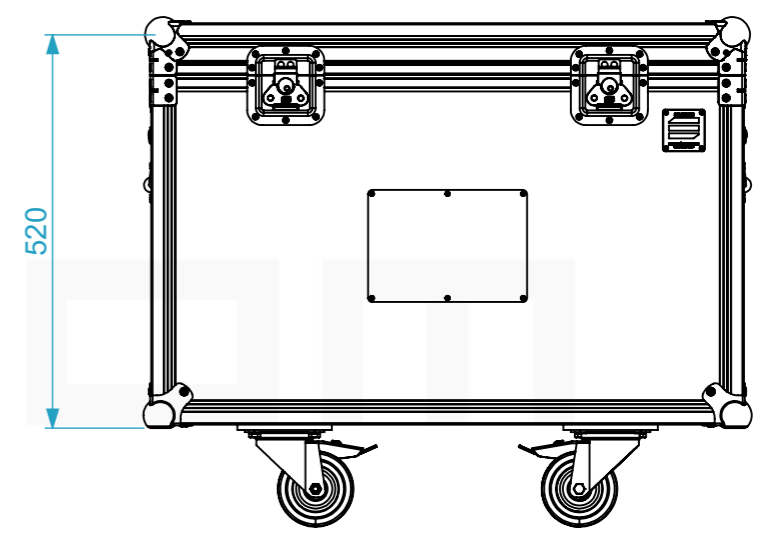
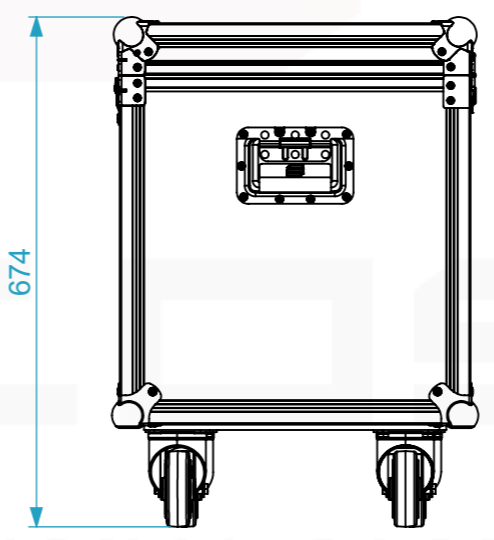
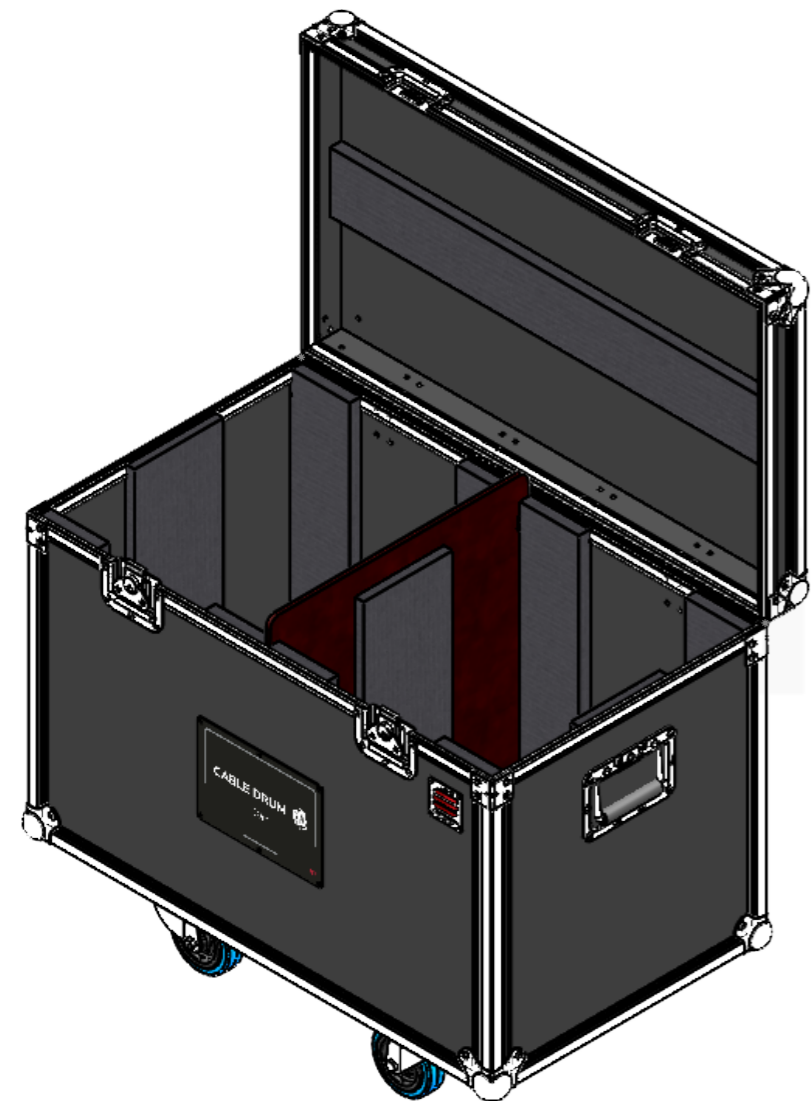
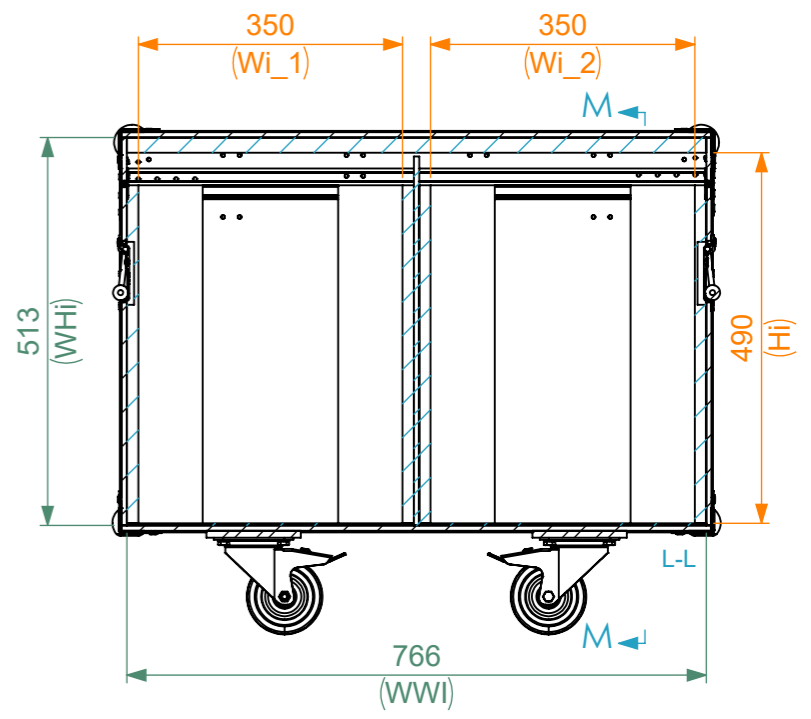
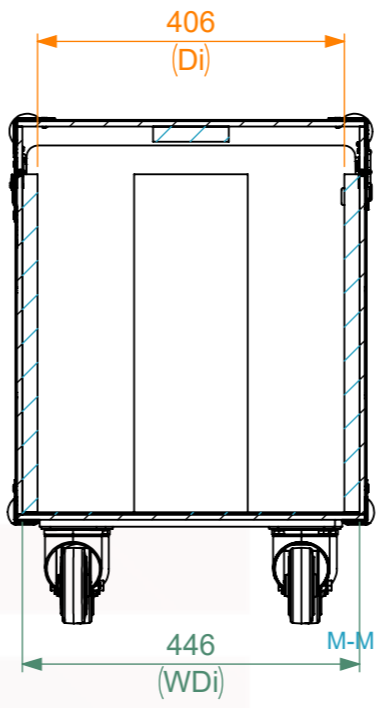
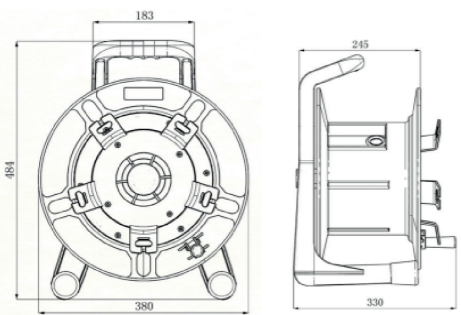


### Dimensions

<b>Width</b>	<b>Depth</b>	<b>Height</b>
802	484	552
<b>Weight</b>	Approx. 21 Kg	
<b>Wall Thickness</b>		7mm



General External Dimensions		Usable Inner Dimensions		Wood Inner Dimensions	
W	Width	Wi	Inside Width	WWi	Wood Inside Width
D	Depth	Di	Inside Depth	WDi	Wood Inside Depth
H	Height	Hi	Inside Height	WHi	Wood Inside Height

A3 This drawing must not be copied or disclosed without consent of the owner

Drawn by	Name	Date
alvaro.santos	alvaro.santos	02/03/2023
Reference	CABLE.104	
Scale	units in mm	general tolerance
1:10	DO NOT SCALE	0.8mm
1st Angle projection	Flight Case, 2x Cable Drum 70226	

