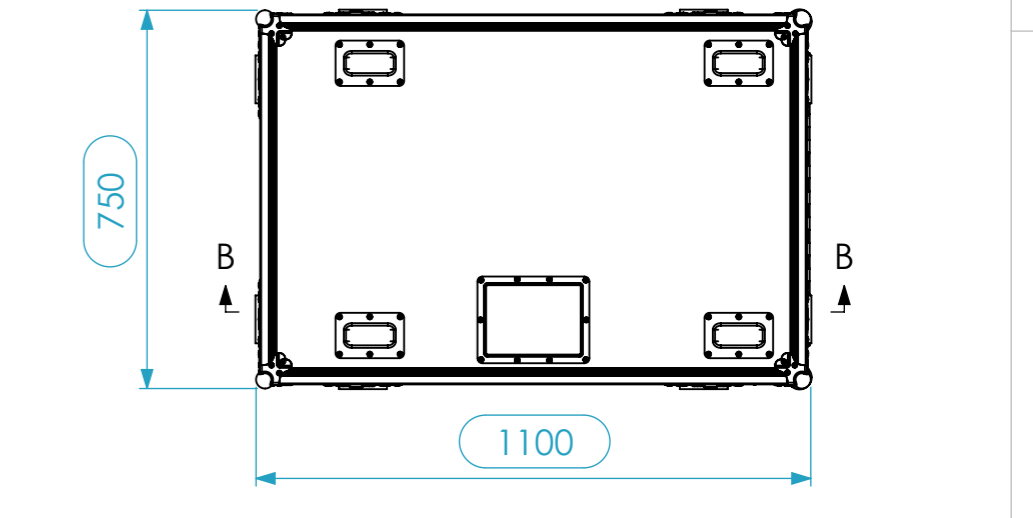
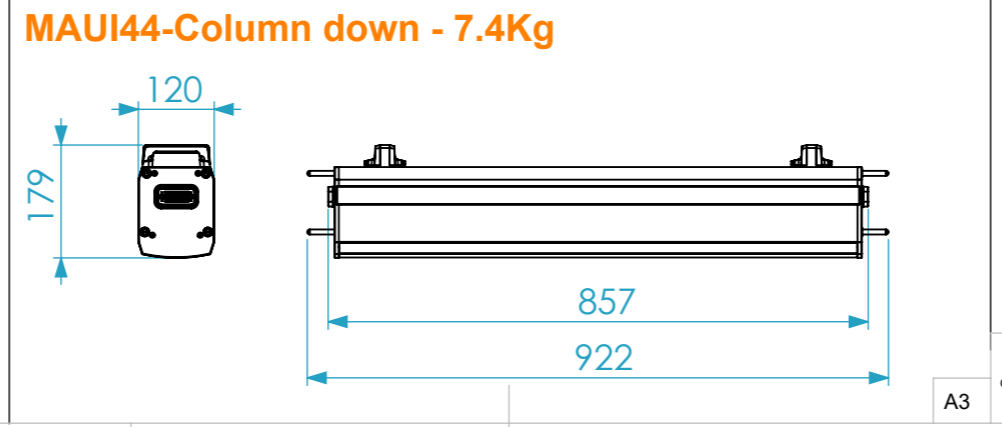
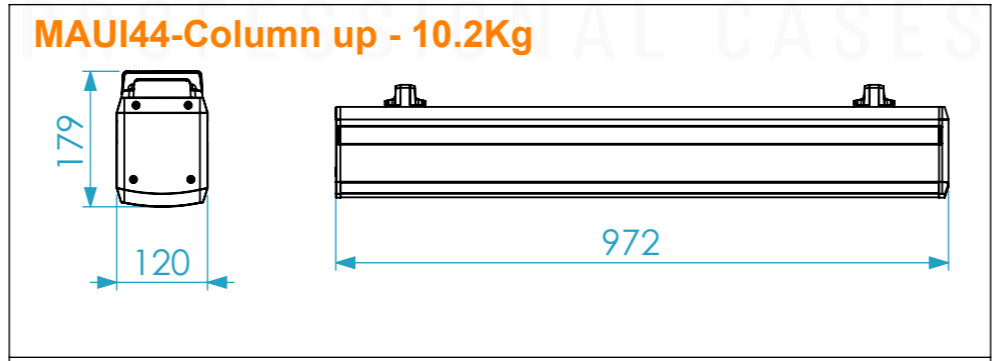
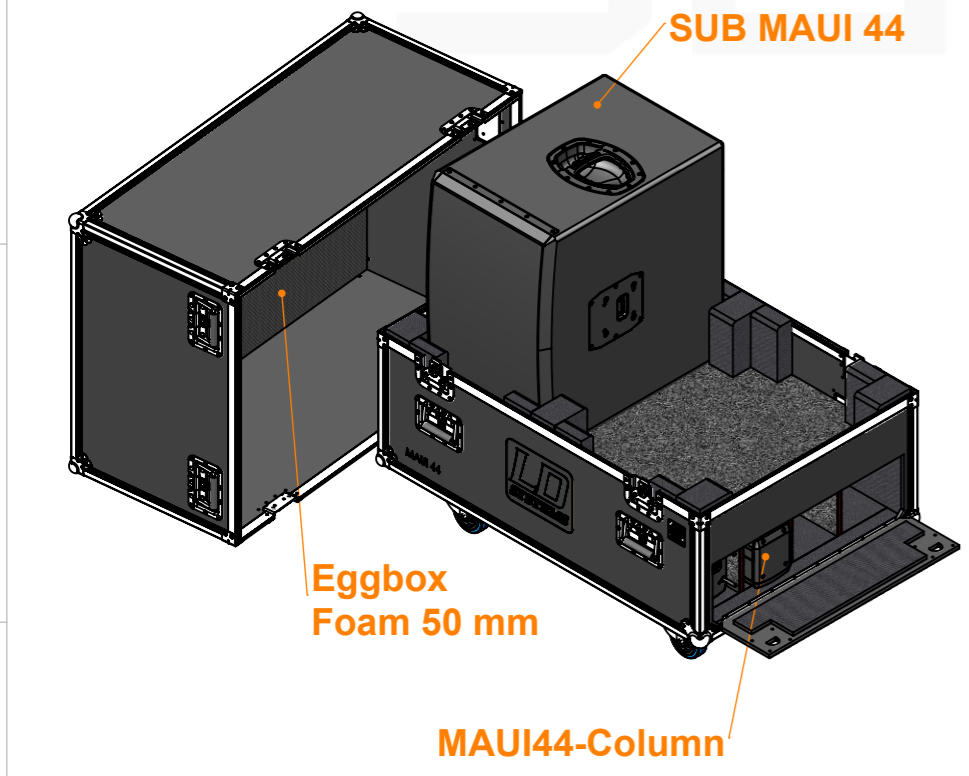
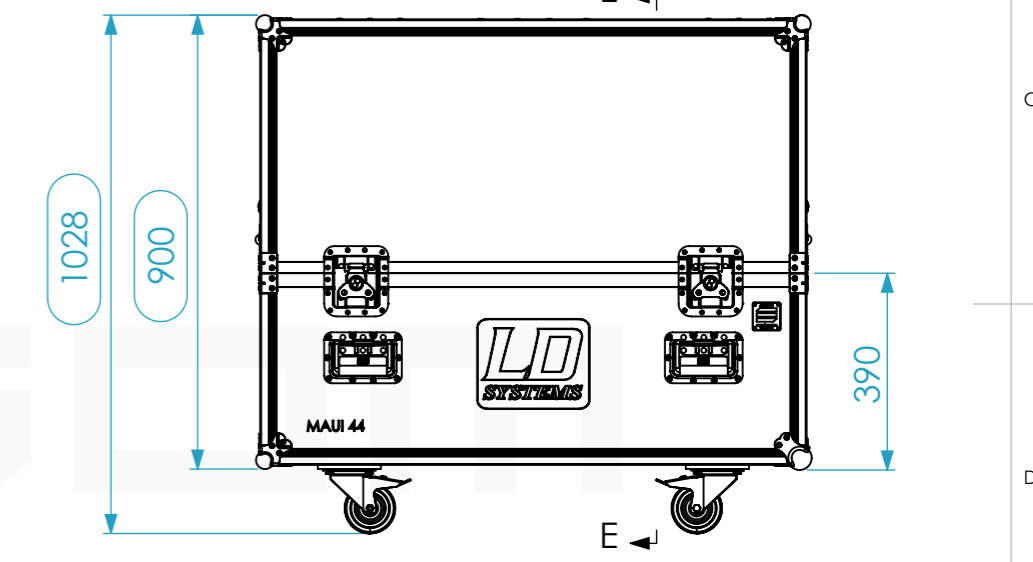
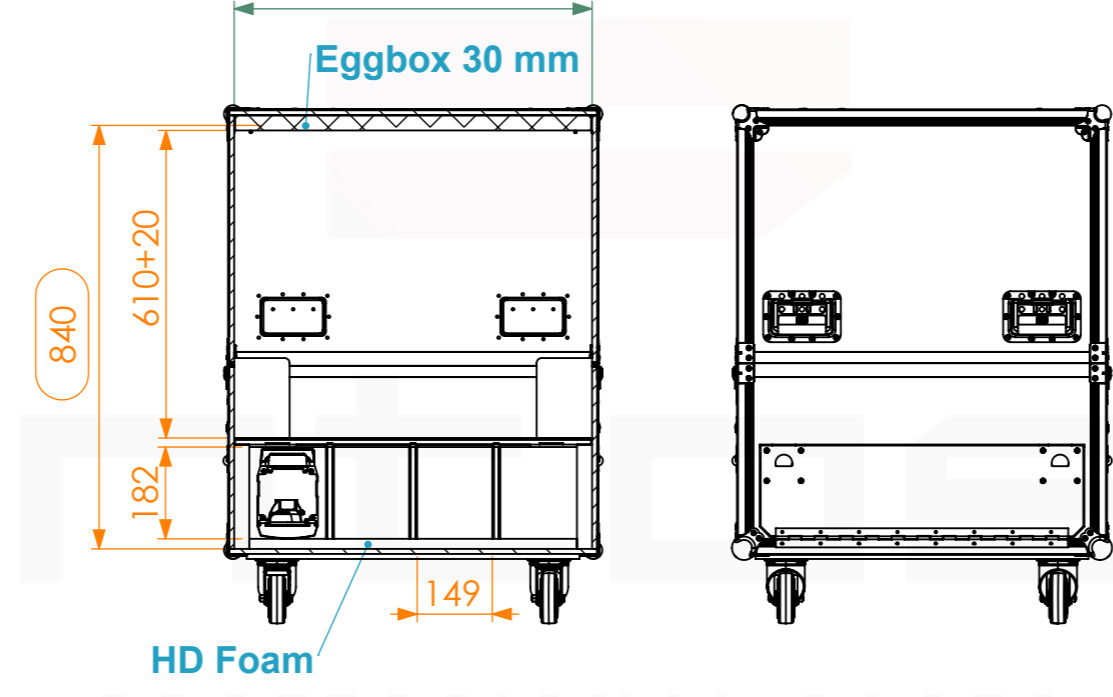
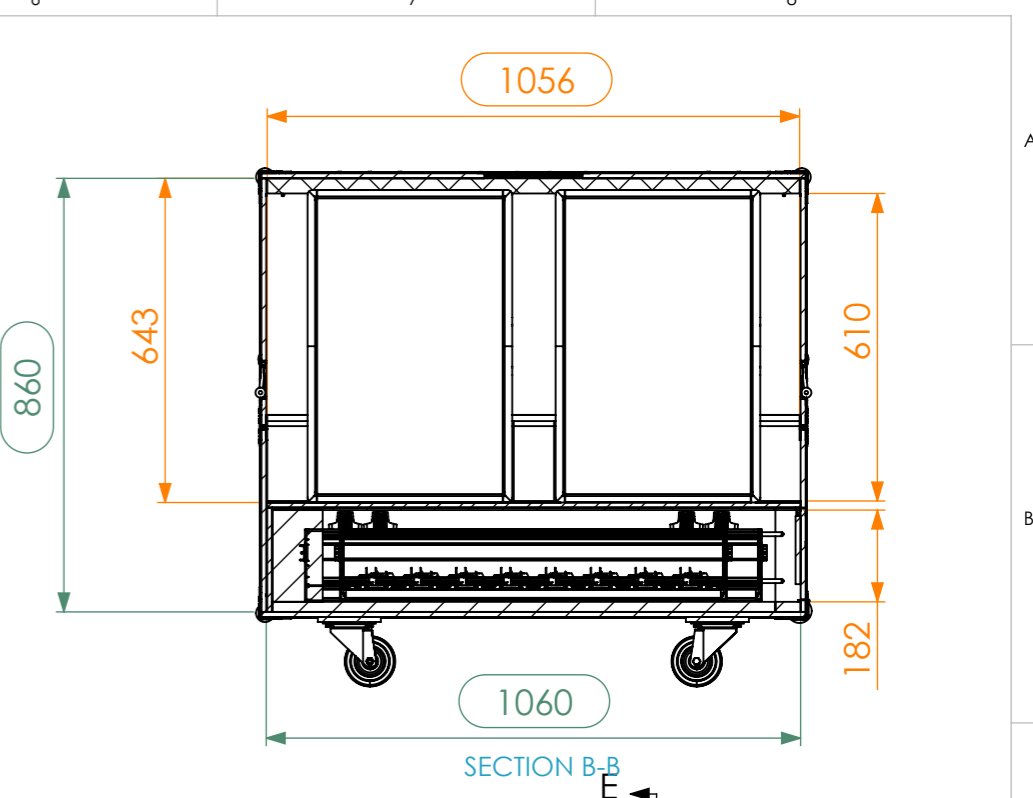
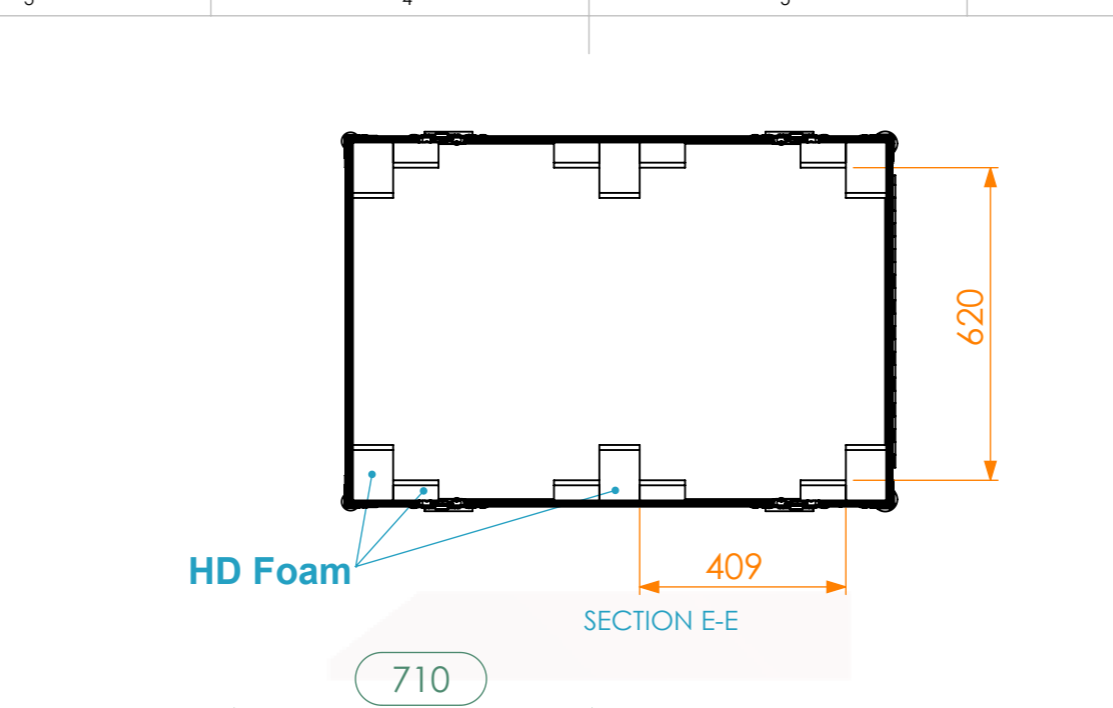
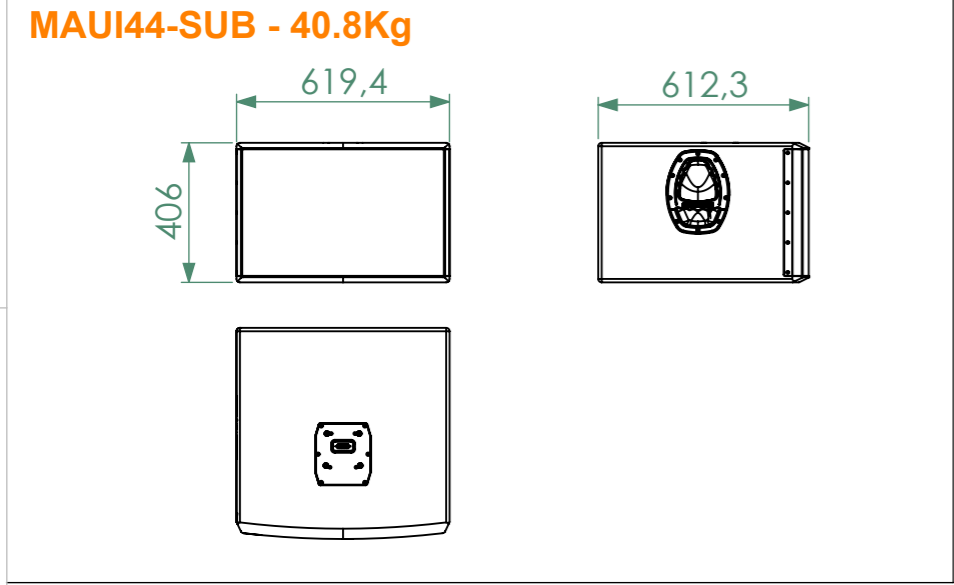


Equipment	LD SYSTEM MAUI 44	
Width	Depth	Height
370	480	487
Internal Dimensions		
Width	Depth	Height
1056	710	860
Weight	Approx. 61 Kg	
Wall Thickness	10mm	



General External Dimensions		Usable Inner Dimensions		Wood Inner Dimensions	
W	Width	Wi	Inside Width	WWi	Wood Inside Width
D	Depth	Di	Inside Depth	WDi	Wood Inside Depth
H	Height	Hi	Inside Height	WHi	Wood Inside Height

This drawing must not be copied or disclosed without consent of the owner

Drawn by	Name	Date
CarlaSilva	CarlaSilva	11/11/2019
Reference	CABINET.998	
Scale	units in mm	general tolerance
1:14	DO NOT SCALE	0.8mm
1st Angle projection	Flight CASE PRO 2x LD System MAUI 44	

