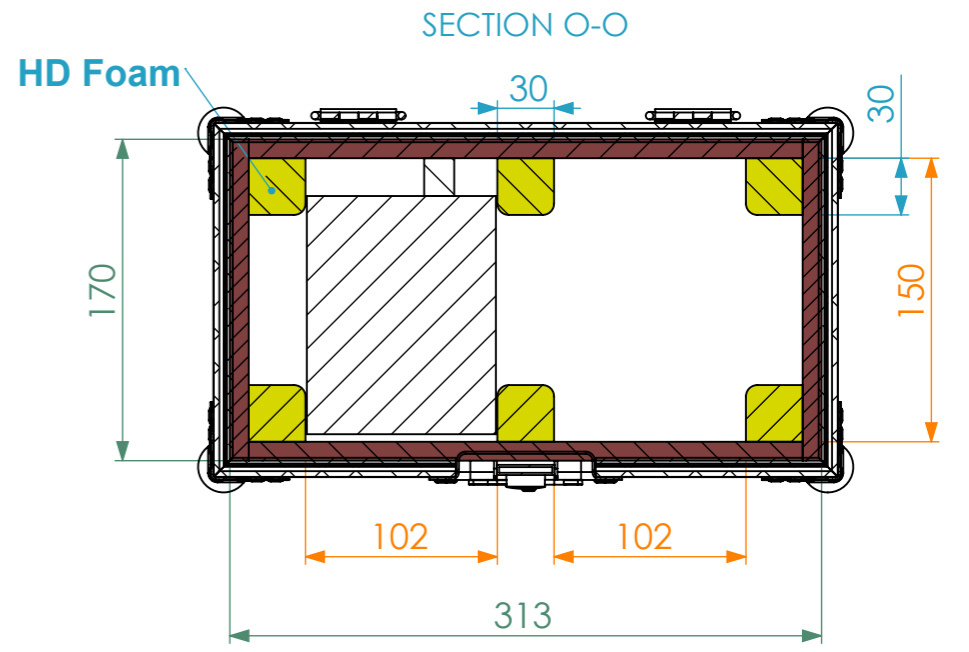
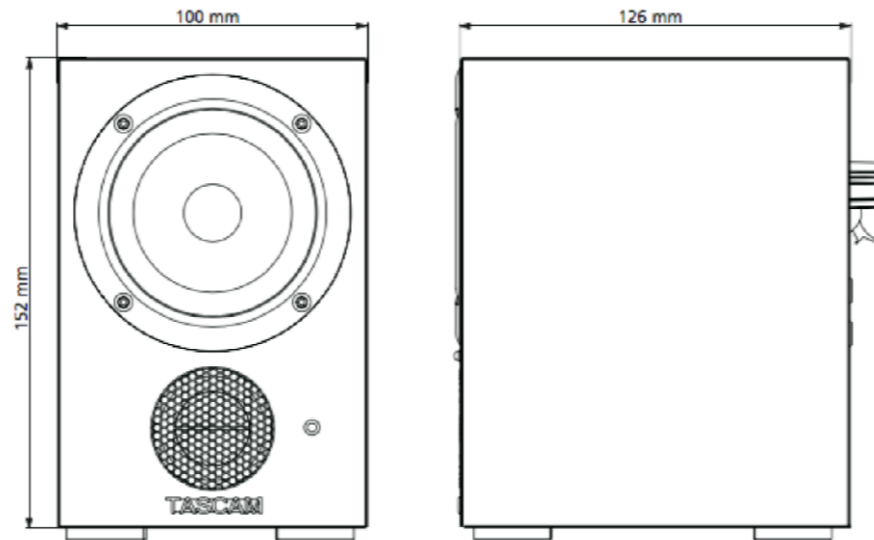
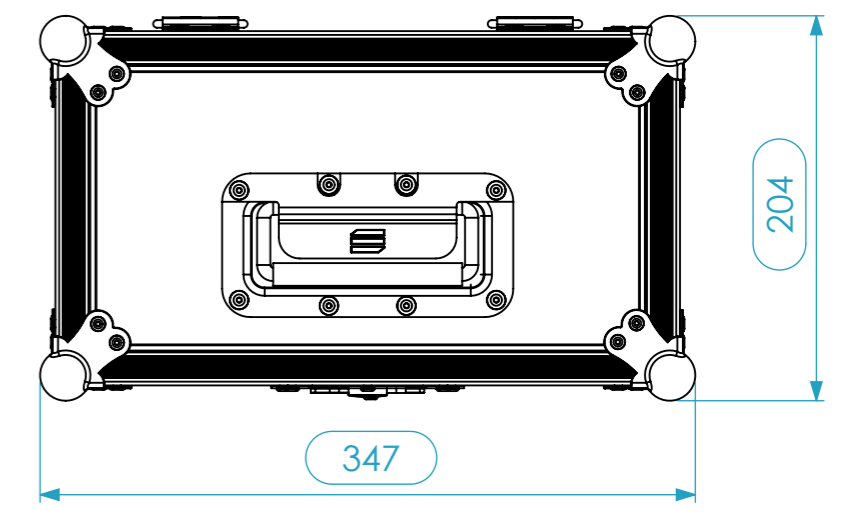
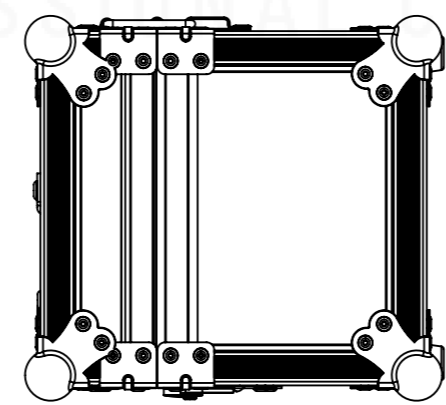
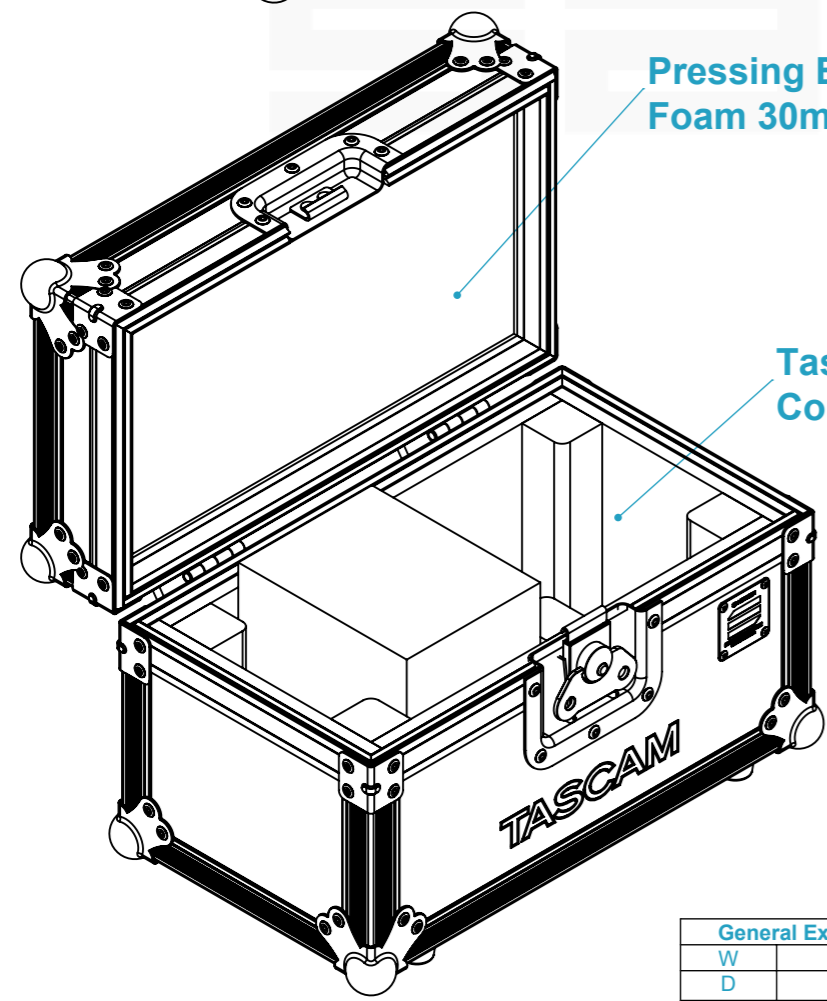
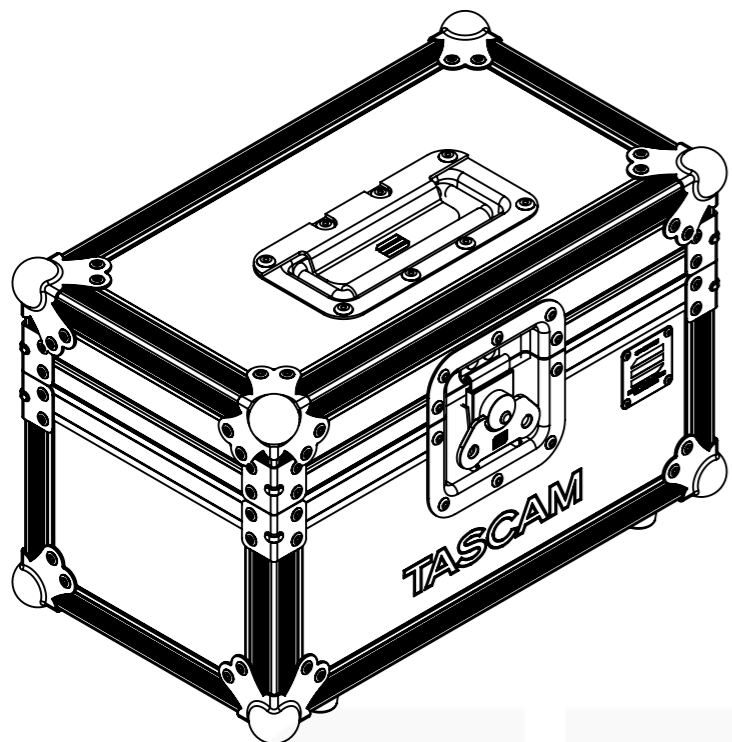
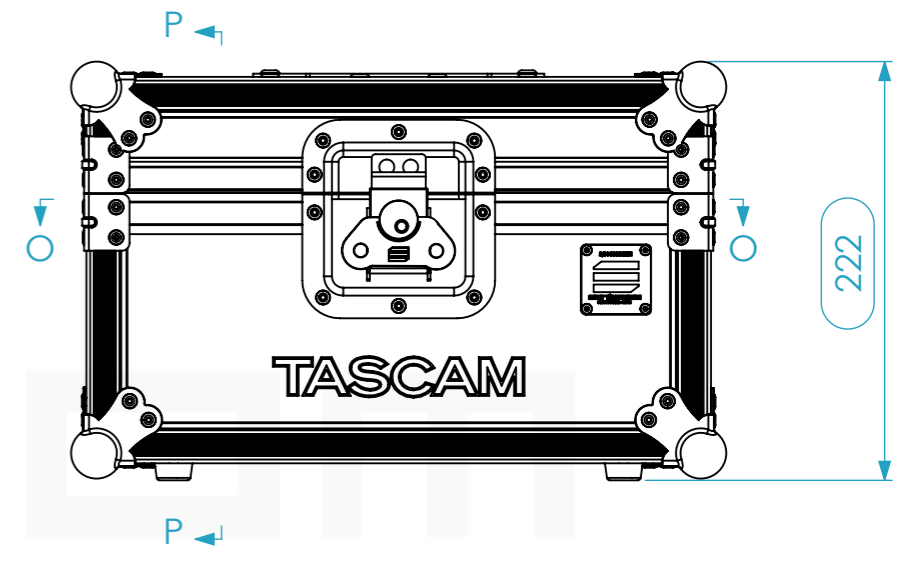
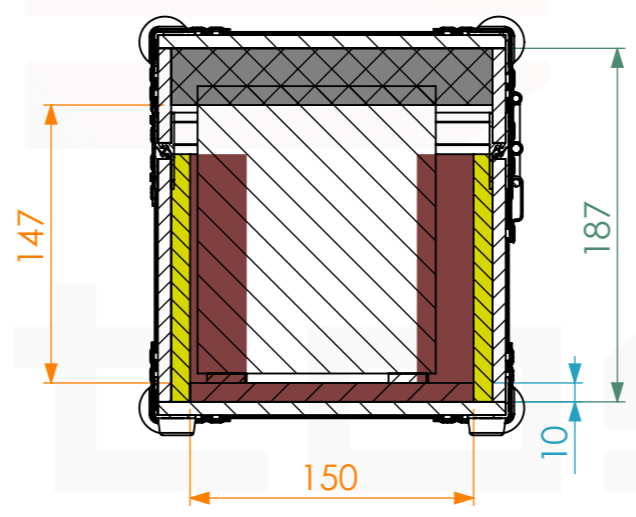


Equipment	TASCAM	
Width	Depth	Height
100	187	170
Internal Dimensions		
Width	Depth	Height
310	167	187
Weight	Approx. 5 Kg	
Wall Thickness	7mm	



SECTION P-P



General External Dimensions		Usable Inner Dimensions		Wood Inner Dimensions	
W	Width	Wi	Inside Width	WWi	Wood Inside Width
D	Depth	Di	Inside Depth	WDi	Wood Inside Depth
H	Height	Hi	Inside Height	WHi	Wood Inside Height

Name	Date	
Drawn by	CarlaSilva	15/06/2018
Reference	CABINET.996	
Scale	1:4	units in mm
		general tolerance 0.8mm
		DO NOT SCALE
		FC, 2X TASCAM



This drawing must not be copied or disclosed without consent of the owner

A3

1st Angle projection