

Interior dimensions

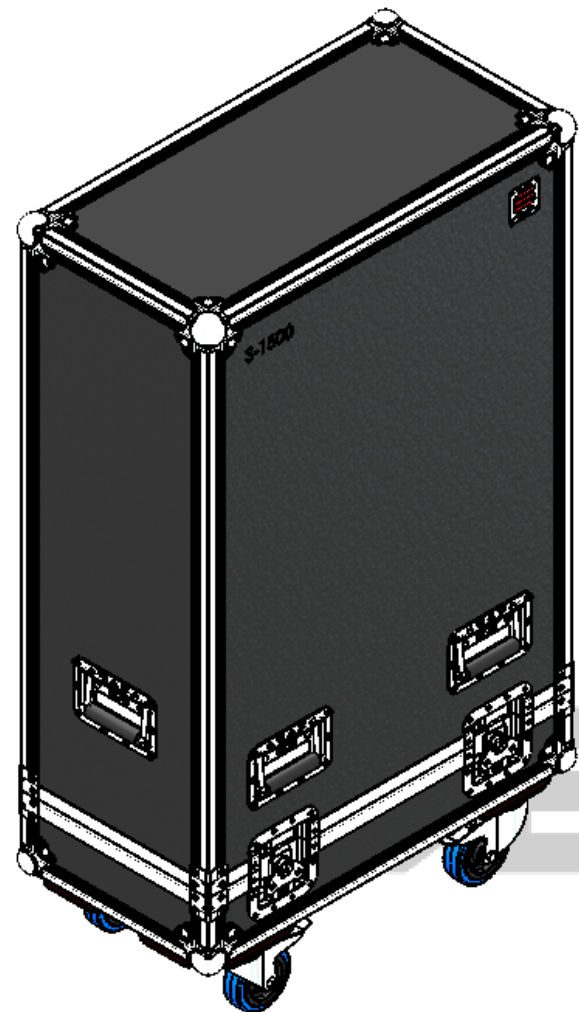
Width	Depth	Height
636	265	972
Weight	Approx. 29 Kg	
Wall Thickness	9mm	

Medidas maximas do Equipamento

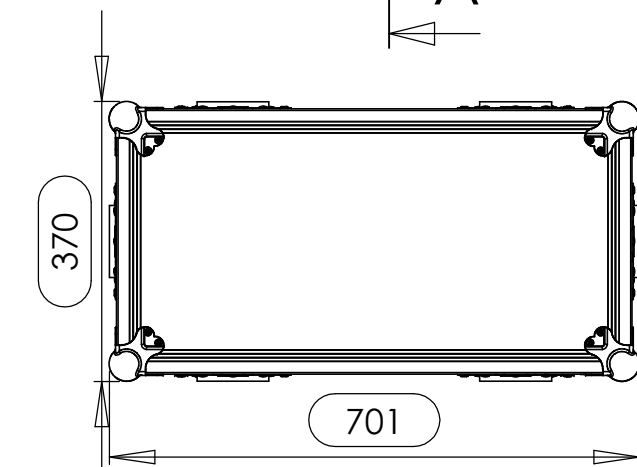
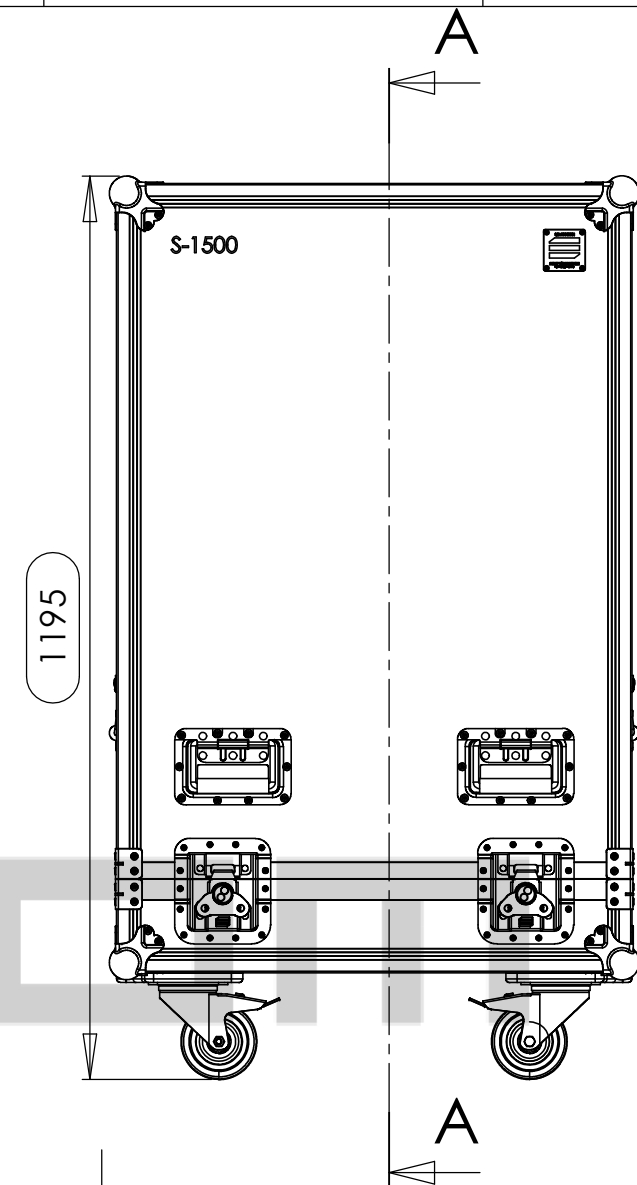
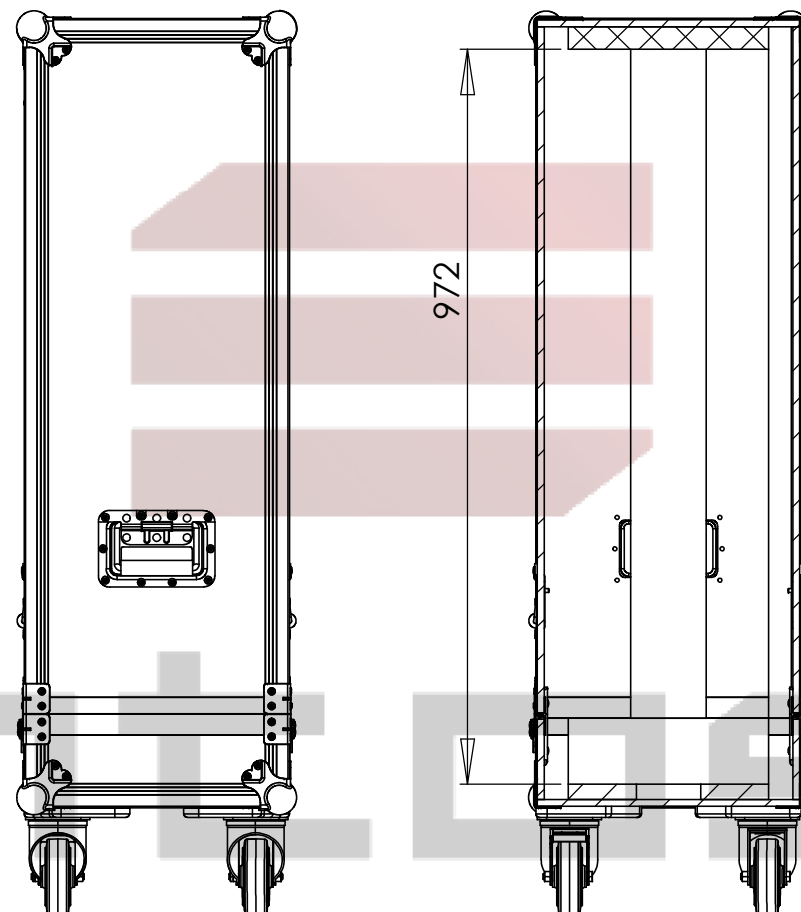
Largura(w)	Profundidade(D)	Altura(H)
632	262	982

REVISIONS

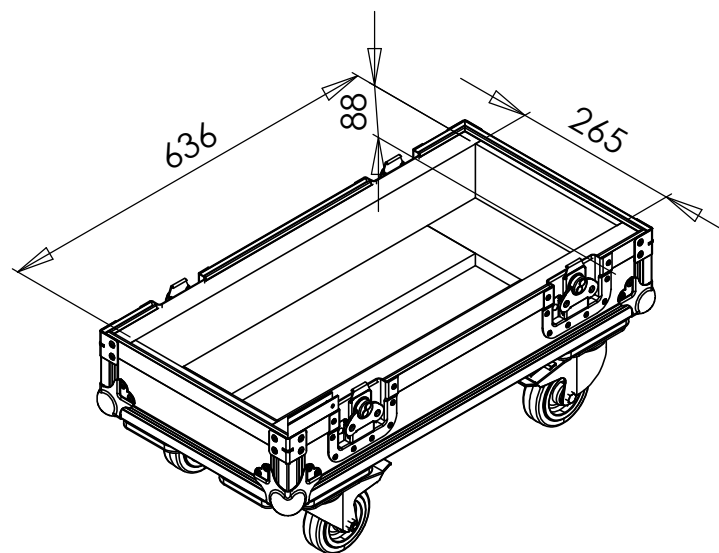
ZONE	REV.	DESCRIPTION	DATE	APPROVED
	0	Final Drawing	09/07/2015	Carlos Rodrigues



SEÇÃO A-A



PROFESSIONAL CASES



Hardware

Qty	Description
8	Heavy Duty Ball Corner
8	Large corner bracket f. 35mm case angle
4	Large butterfly V3 with 'push-back' function
6	Recessed sprung handle medium model
2	Swivel castor Ø100mm with brake
2	Swivel castor Ø100 mm

This drawing must not be copied or disclosed without consent of the owner



Scale	units in mm	general tolerance
1:10	DO NOT SCALE	0.8mm

CABINET.937
COLUNA REFORÇO S-1500 - KCS



A3