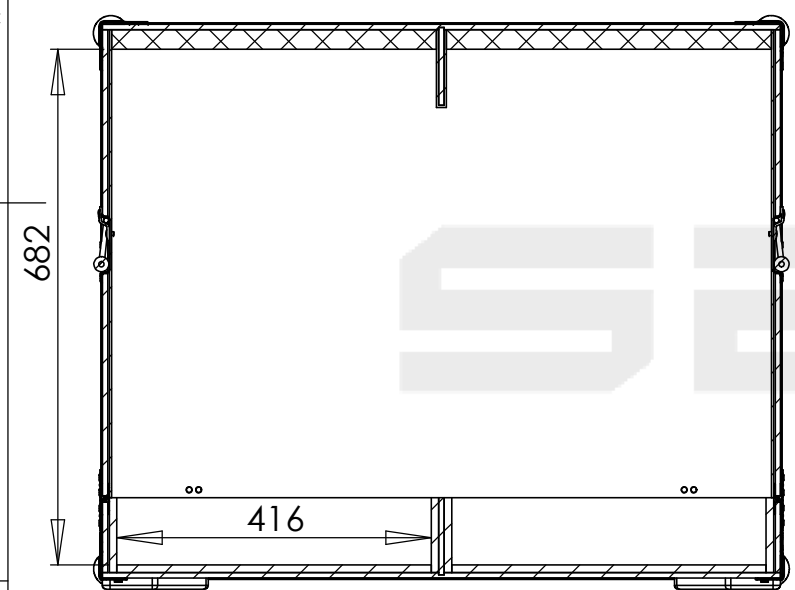
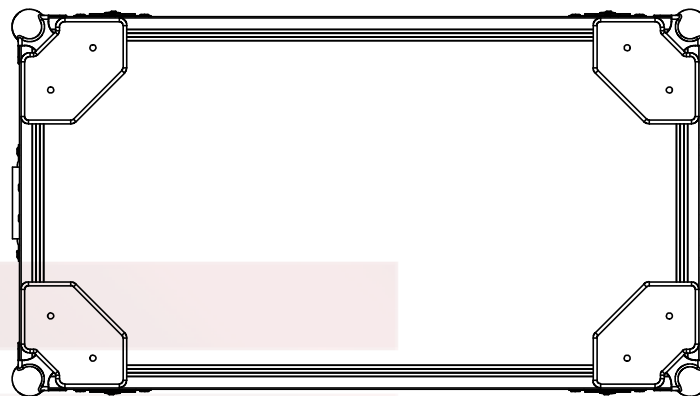


Interior dimensions

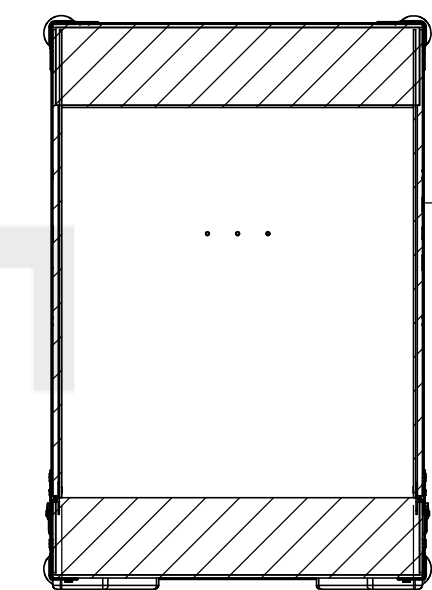
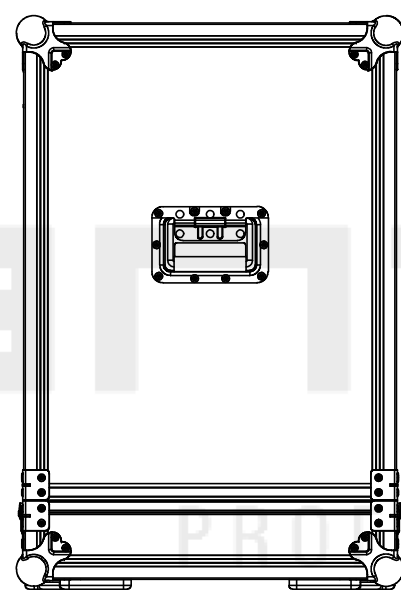
Width	Depth	Height
416	451	682
Weight	Approx. 26 Kg	
Wall Thickness	7mm	

REVISIONS

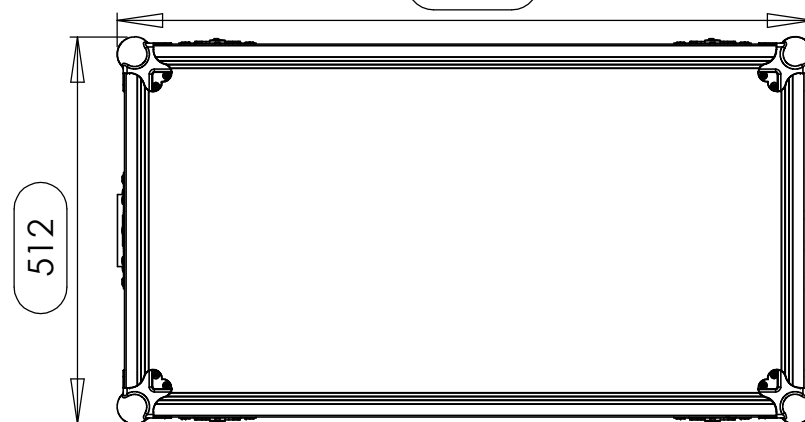
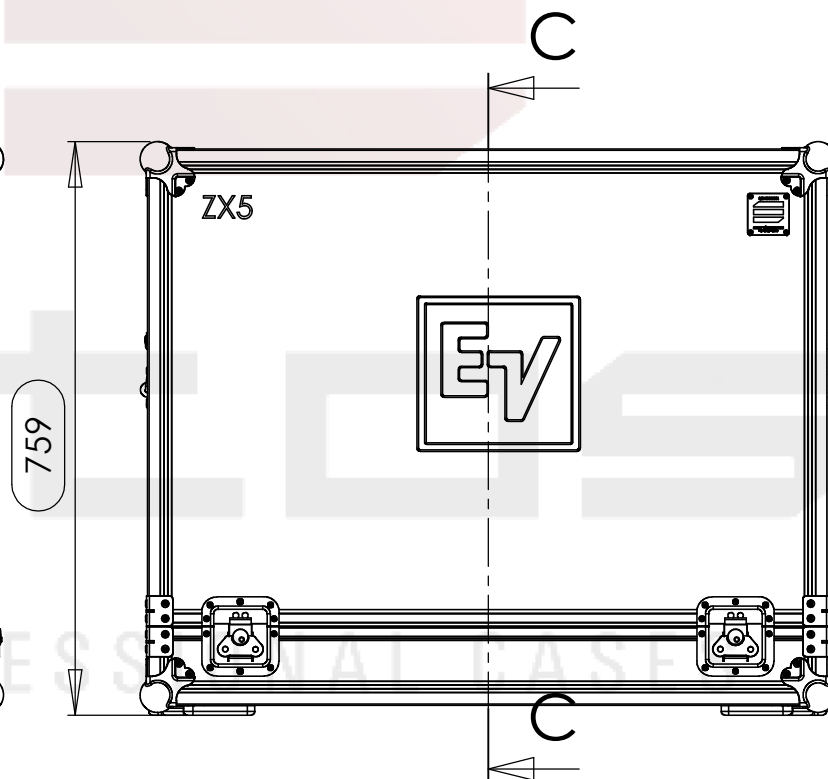
ZONE	REV.	DESCRIPTION	DATE	APPROVED
	0	Final Drawing	31/03/2015	Carlos Rodrigues



SEÇÃO D-D
ESCALA 1 : 10



SEÇÃO C-C
ESCALA 1 : 10



Hardware		
Qty	Ref.	Description
4	17290S	Key lockable medium Butterfly special
8	40403	Large corner bracket f. 35mm case angle
8	410429	Heavy Duty Ball Corner
1	CHAPA.1000	Identification Plate
2	34082	Recessed sprung handle medium model

This drawing must not be copied or disclosed without consent of the owner

Drawn by	Name	Date
projects		31/03/2015
Reference	CABINET.925A	
Scale	units in mm	general tolerance
1:5	DO NOT SCALE	0.8mm
1st Angle projection	FC. 2X ELECTRO-VOICE ZX 5	

