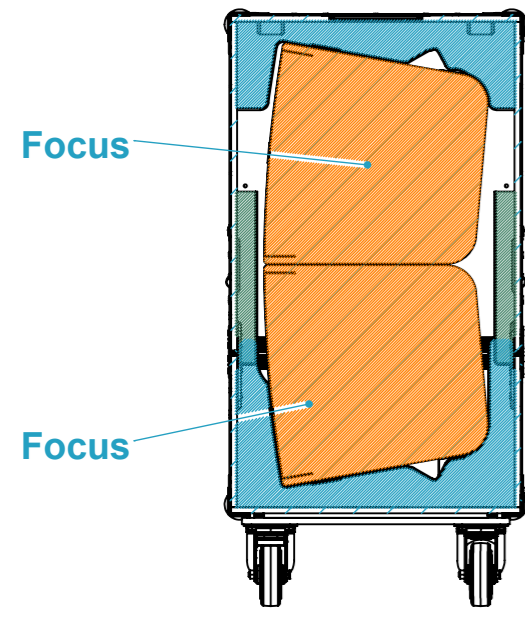
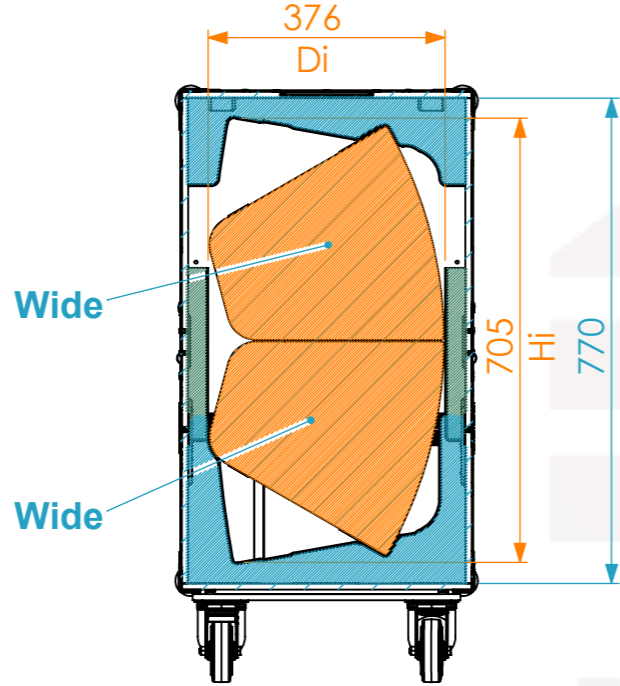


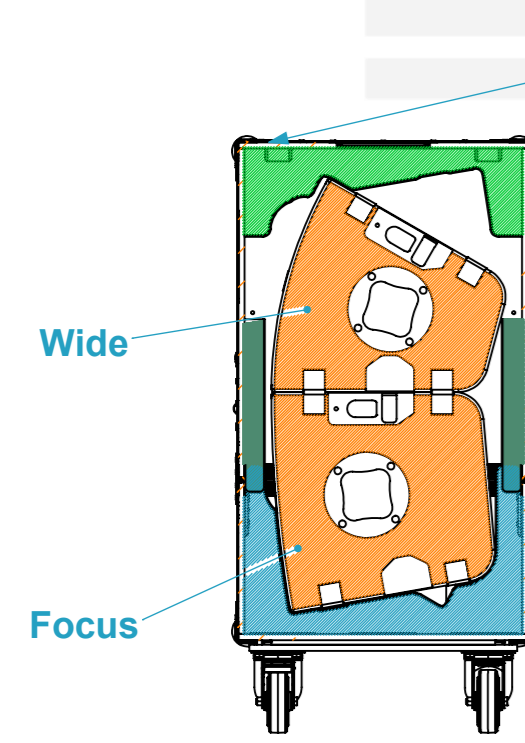
Equipment		
A10 WIDE/ FOCUS		
Width	Depth	Height
580	350	350
Internal Dimensions		
Width	Depth	Height
584	376	705
Weight	Approx. 32 Kg	
Wall Thickness	10mm	



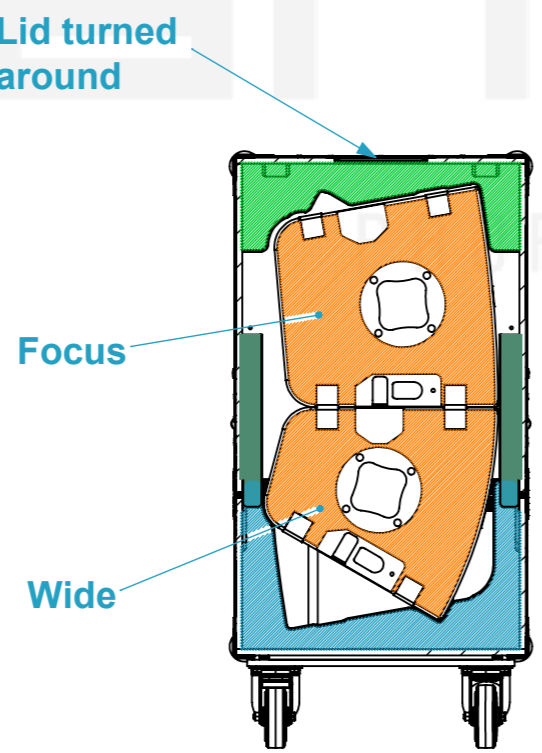
FOCUS + FOCUS



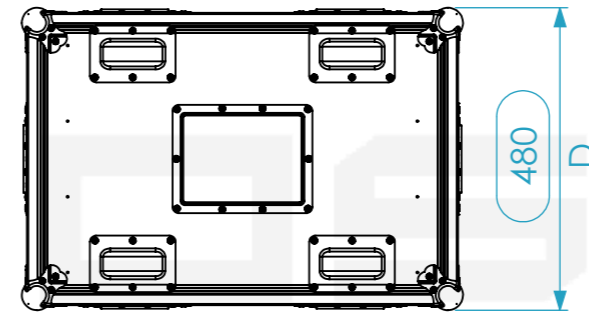
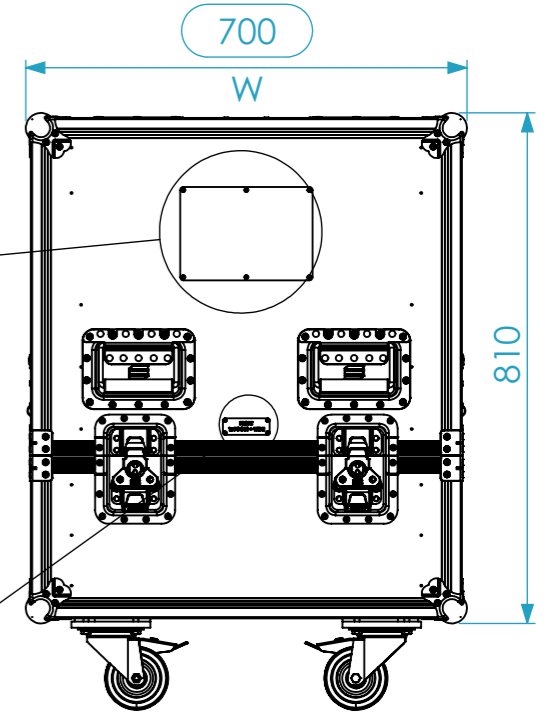
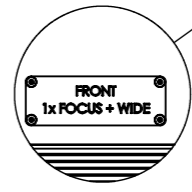
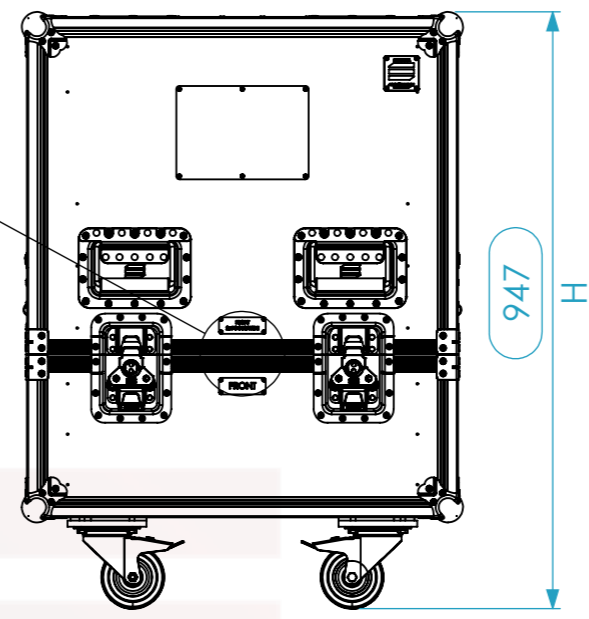
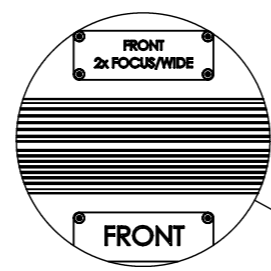
WIDE + WIDE



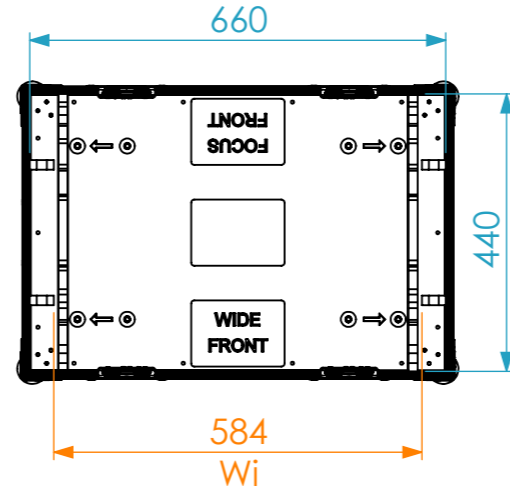
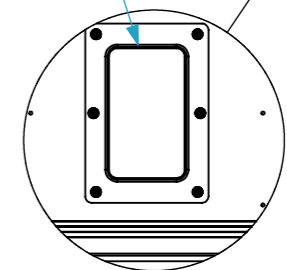
FOCUS + WIDE



WIDE + FOCUS



Tag / Bar Window for Confirm The Speakers inside



General External Dimensions	
W	Width
D	Depth
H	Height
Usable Inner Dimensions	
Wi	Inside Width
Di	Inside Depth
Hi	Inside Height
Wood Inner Dimensions	
WWi	Wood Inside Width
WDi	Wood Inside Depth
WHi	Wood Inside Height

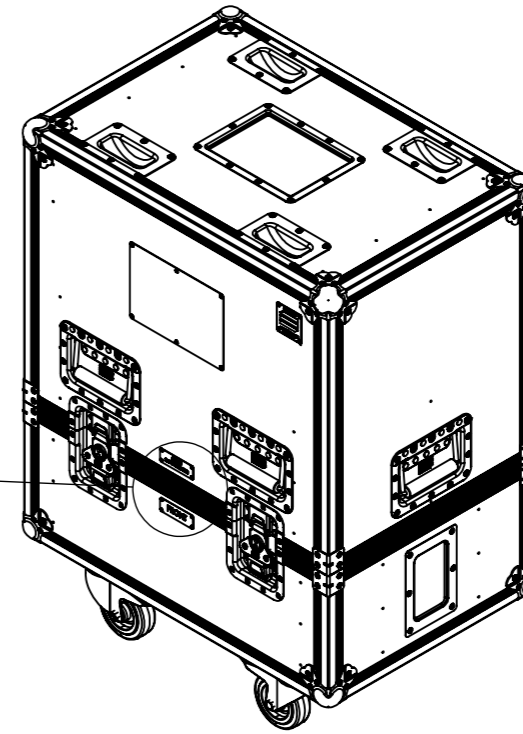
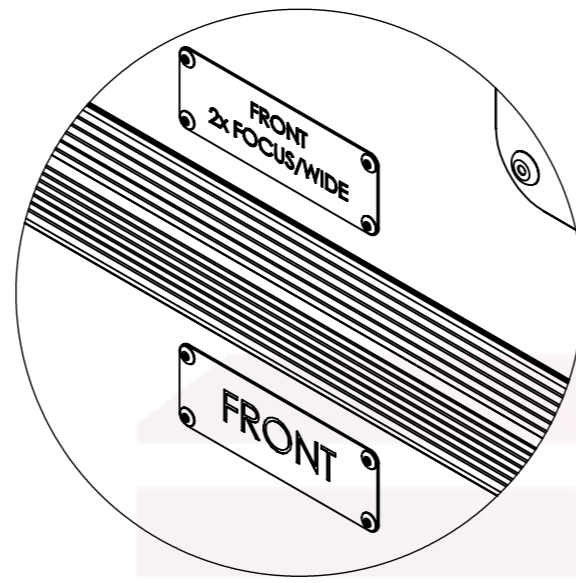
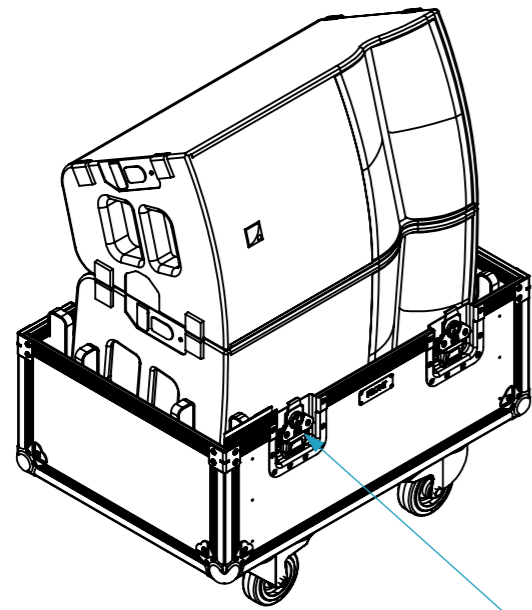
Name	Date
Drawn by paula.almeida	21/10/2025
Reference CABINET.626	
Scale 1:12	units in mm DO NOT SCALE general tolerance 0.8mm
FC, 2X L-Acoustics A10	



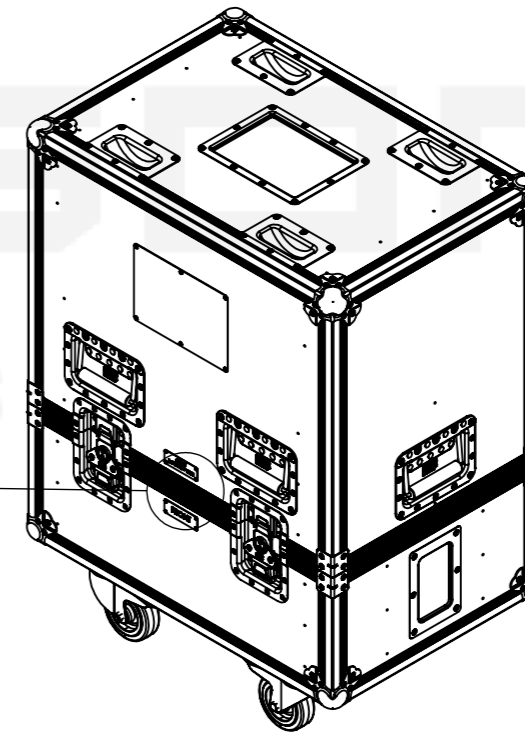
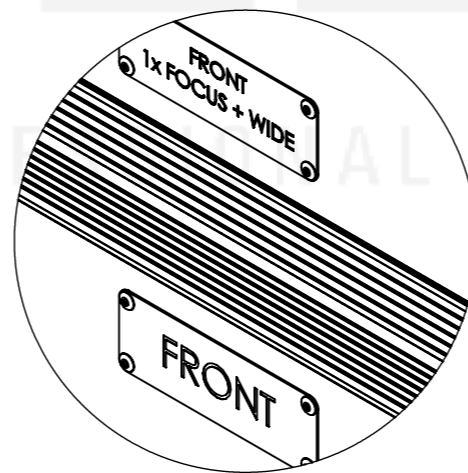
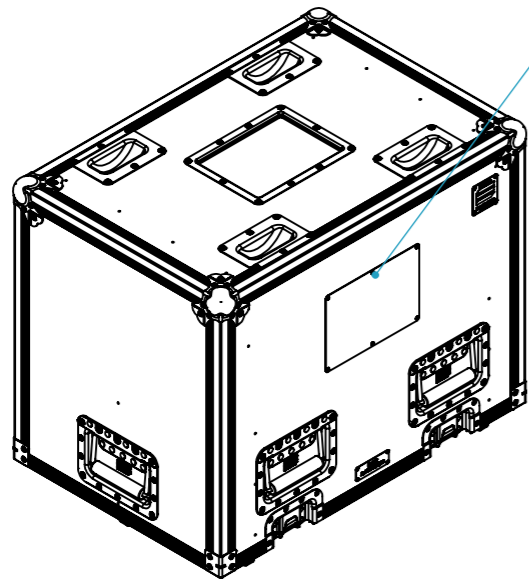
This drawing must not be copied or disclosed without consent of the owner



A3



Compatible with all configurations of **WIDE** and **FOCUS** just by changing the position of the lid



SANTOSOM  
PROFESSIONAL CASES

	Name	Date
Drawn by	paula.almeida	21/10/2025
Reference	CABINET.626	
Scale	units in mm	general tolerance
1:12	DO NOT SCALE	0.8mm
1st Angle projection	FC, 2X L-ACOUSTICS A10	

This drawing must not be copied or disclosed without consent of the owner

A3

