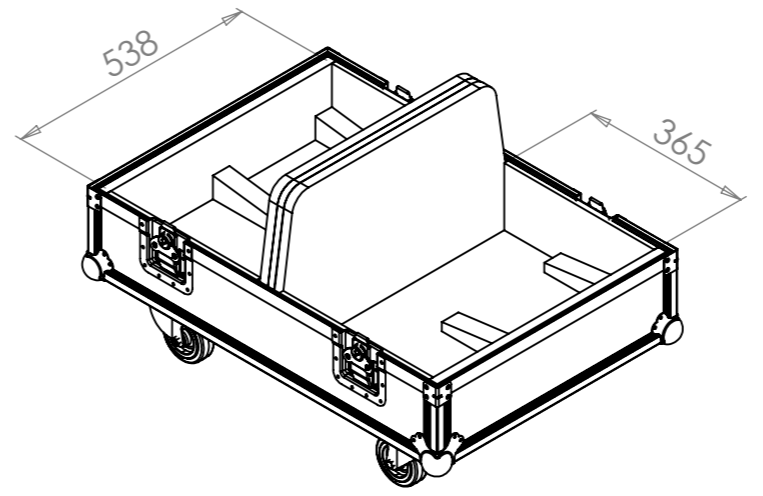
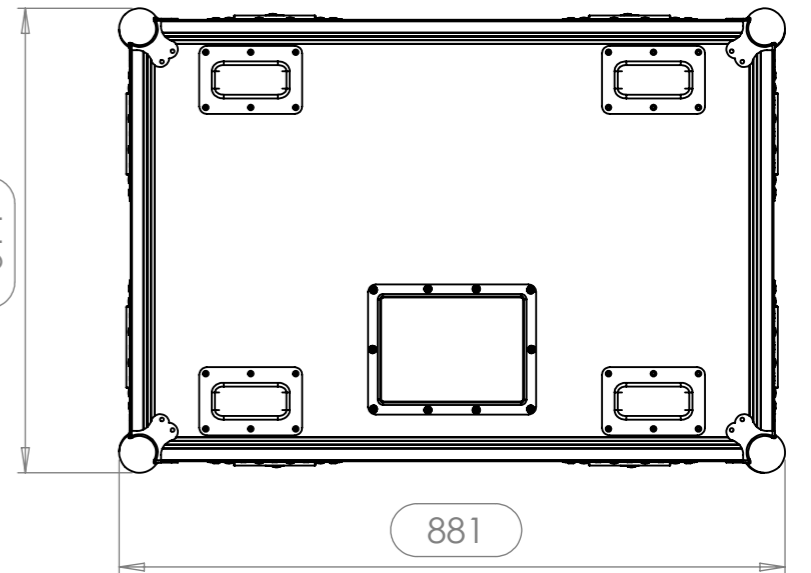
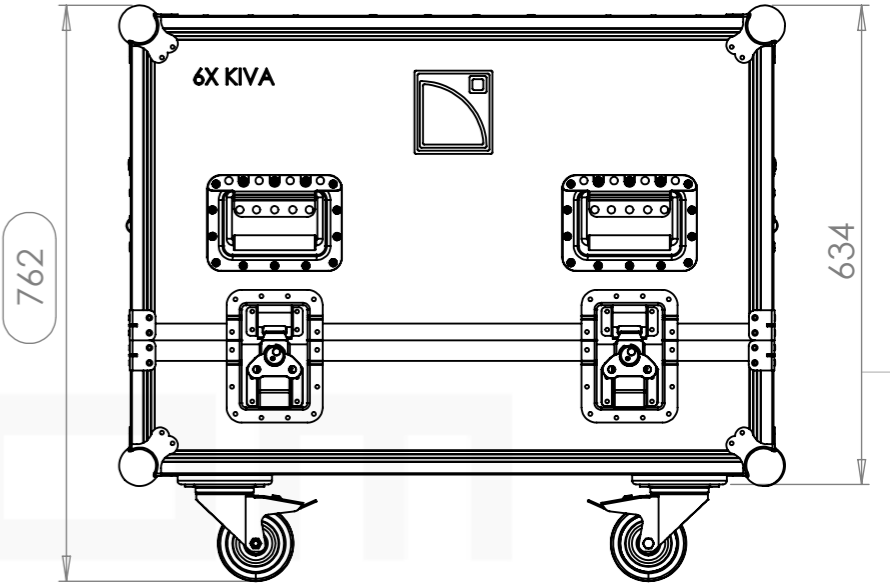
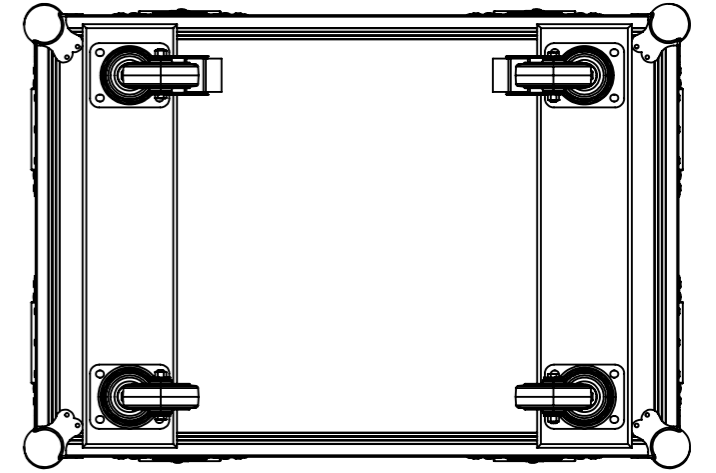
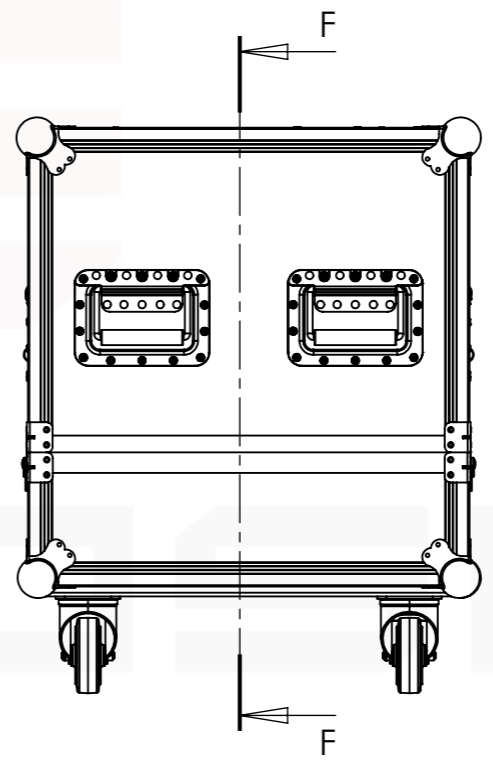
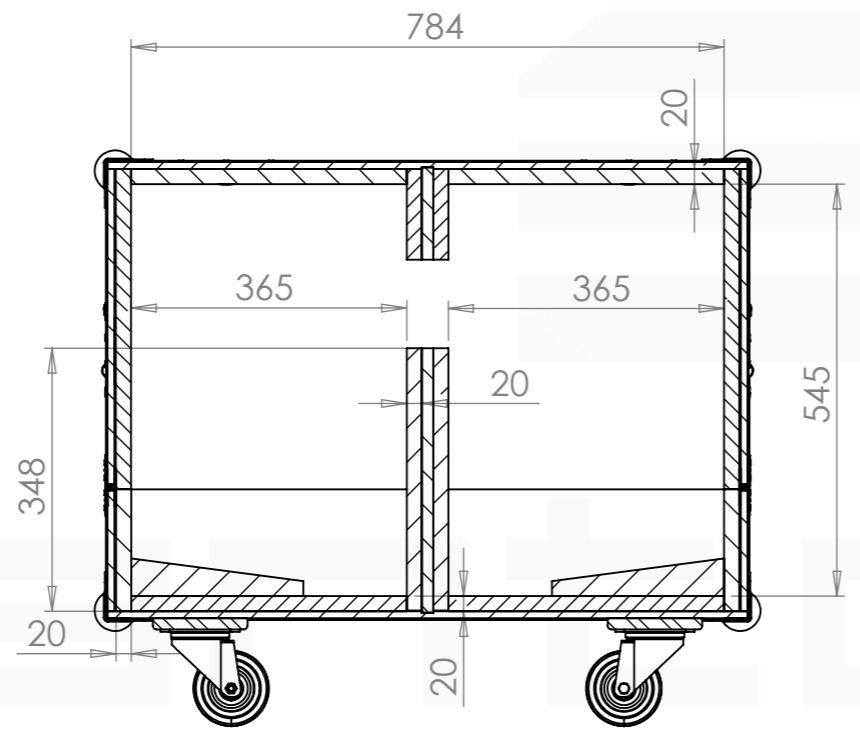
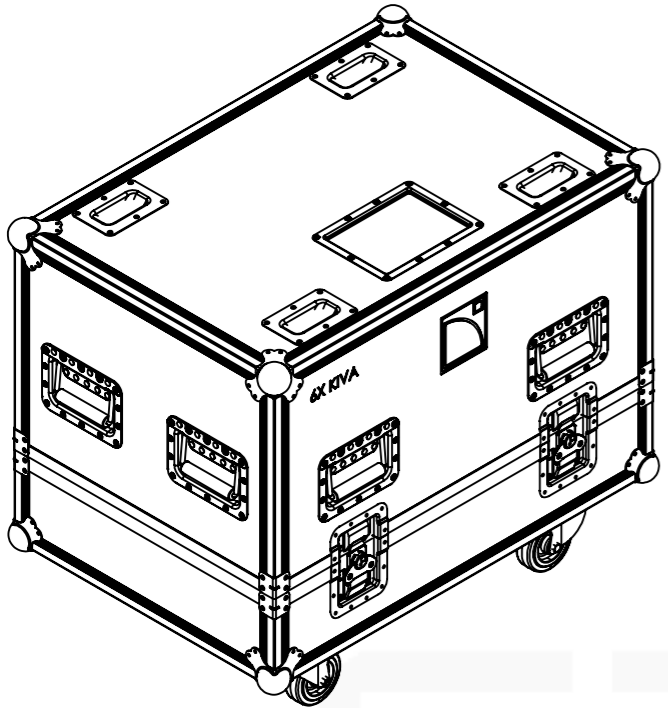


Internal Dimensions		
Width	Depth	Height
784	538	545
Weight	Approx. 30 Kg	
Wall Thickness	10mm	



Hardware		
Qty	Ref.	Description
8	410429	Ball Corner Large three-leg cranked 35mm 9 holes
8	40403	Large corner bracket f. 35mm case angle
2	RODA.100T	Swivel castor Ø100mm with brake
2	RODA.100	Swivel castor Ø100 mm
4	38083	Castor dish deep zinc plated
4	172511PEN	Large butterfly V3 with 'push-back' function
8	34085	Large, heavy duty, recessed sprung handle
1	88001D	Dish for 88001 Tour Label

PROFESSIONAL CASES

This drawing must not be copied or disclosed without consent of the owner

Drawn by	Name	Date
jorgepacheco	jorgepacheco	21/04/2017
Reference	CABINET.624	
Scale	units in mm	general tolerance
1:10	DO NOT SCALE	0.8mm
1st Angle projection	FC, L-ACOUSTICS 6X KIVA, RODAS	

