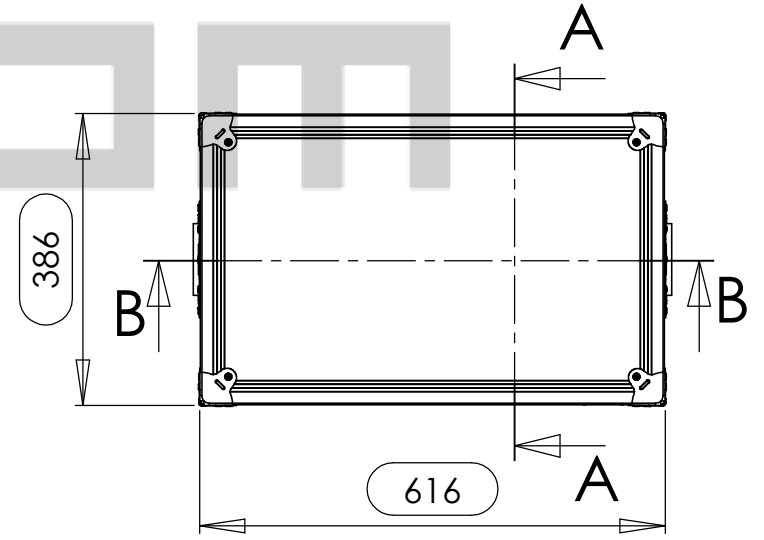
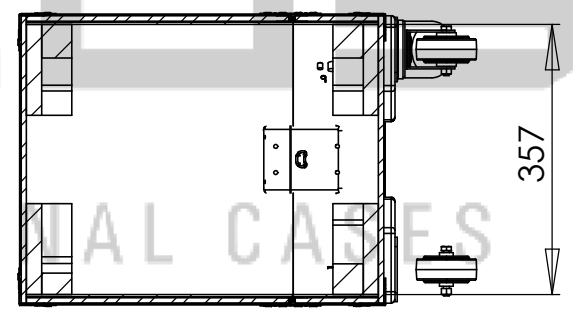
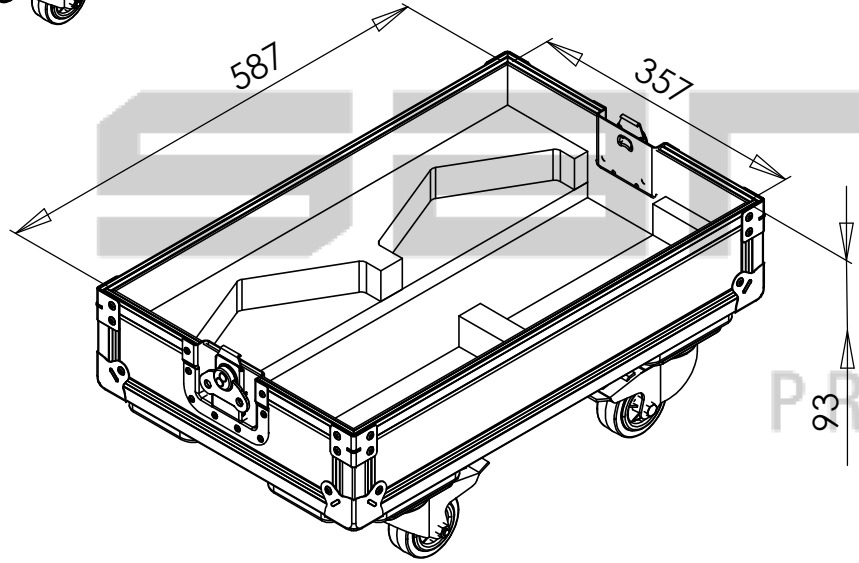
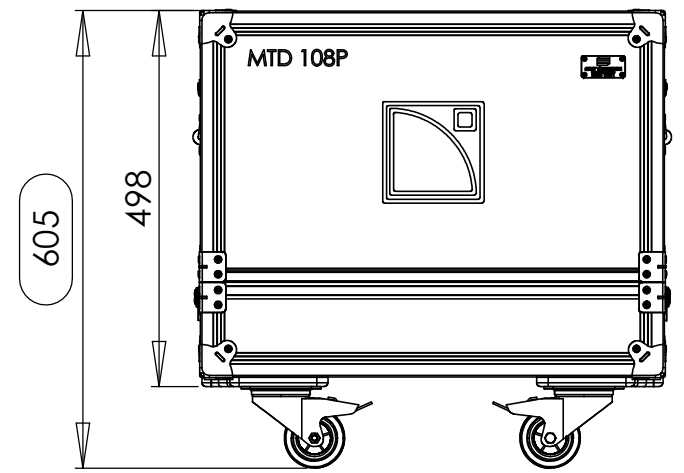
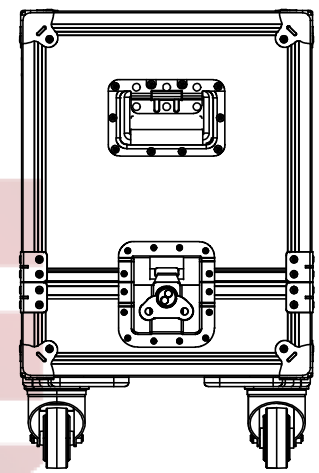
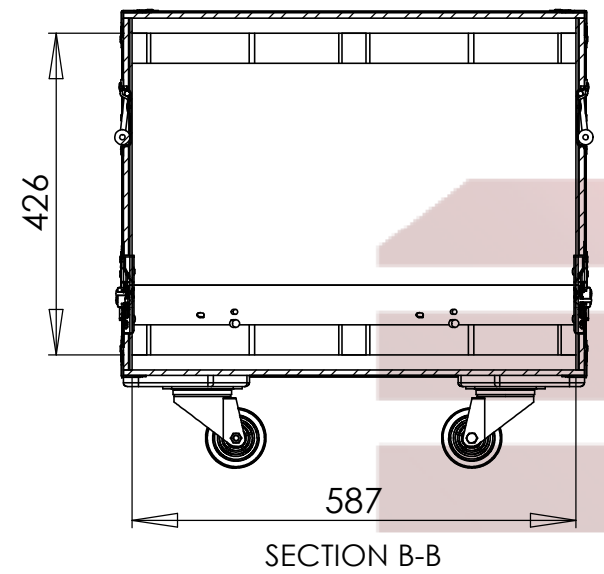
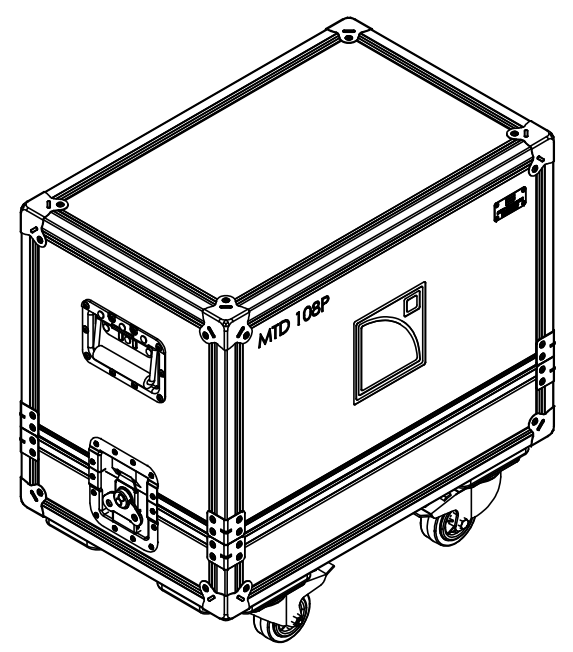


Interior dimensions		
Width	Depth	Height
587	357	425.5
Weight	Approx. 15 Kg	
Wall Thickness	7mm	

REVISIONS				
ZONE	REV.	DESCRIPTION	DATE	APPROVED
-	0	Final Drawing	13/11/2013	Daniel Lopes



Hardware		
Qty	Ref.	Description
8	40403	Large corner bracket f. 35mm case angle
2	172531	Large butterfly V3 with 'push-back' function in 14mm dish
2	34082	Recessed sprung handle medium model
8	4004	Case corner zinc plated
2	RODA.80T	Swivel castor Ø80 mm with brake
2	RODA.80	Swivel castor Ø80 mm without brake

This drawing must not be copied or disclosed without consent of the owner

Drawn by	Name	Date
DanielLopes	DanielLopes	13-11-2013
Reference	CABINET.611ER	
Scale	units in mm	general tolerance
1:10	DO NOT SCALE	0.5mm
1st Angle projection	FC SIMPLIS, 2 L'ACOUSTICS MTD 108P, RODAS	

