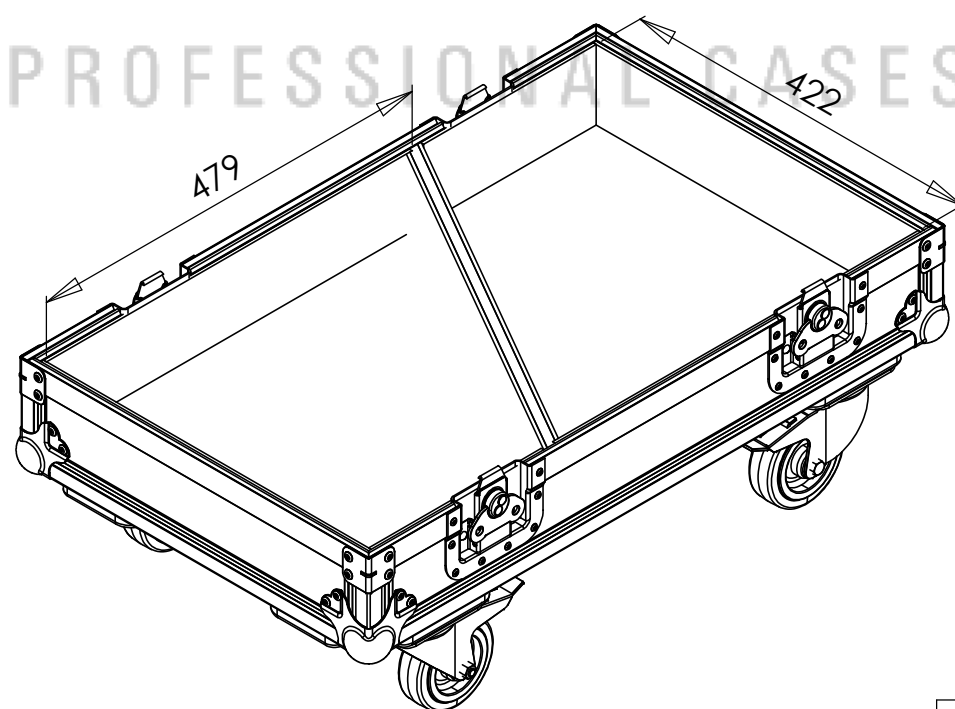
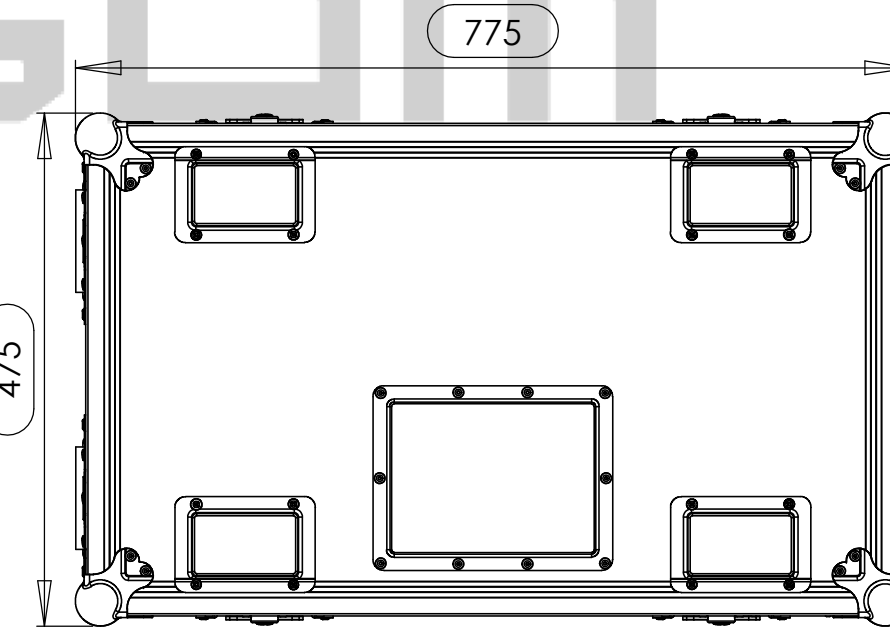
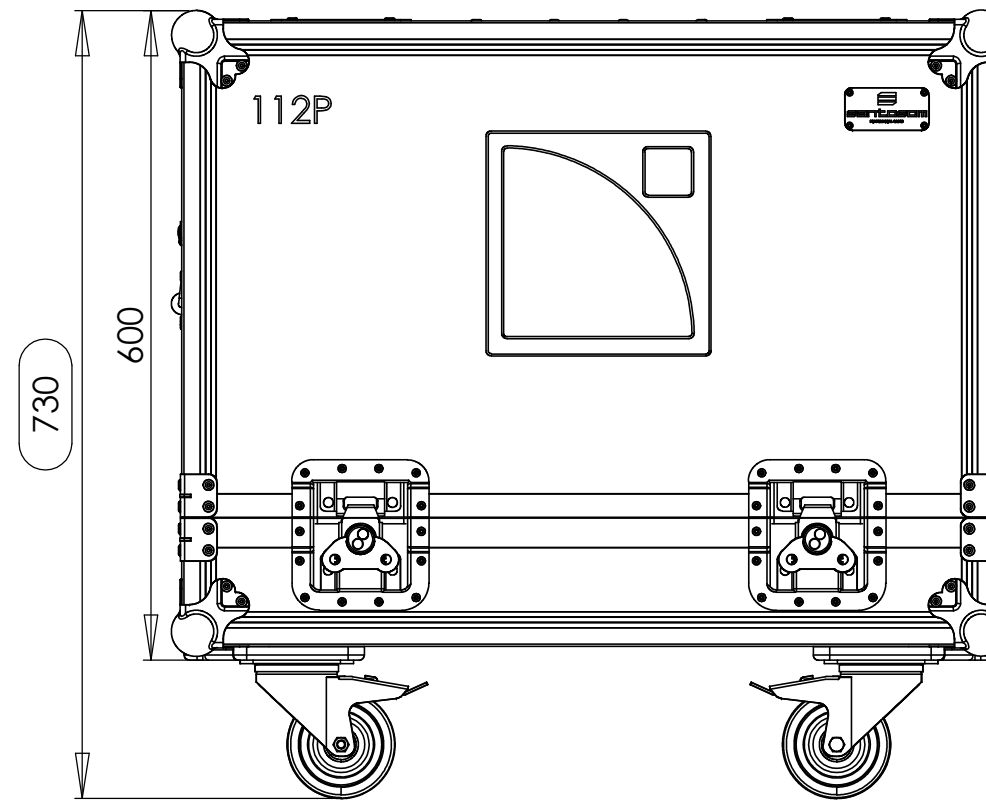
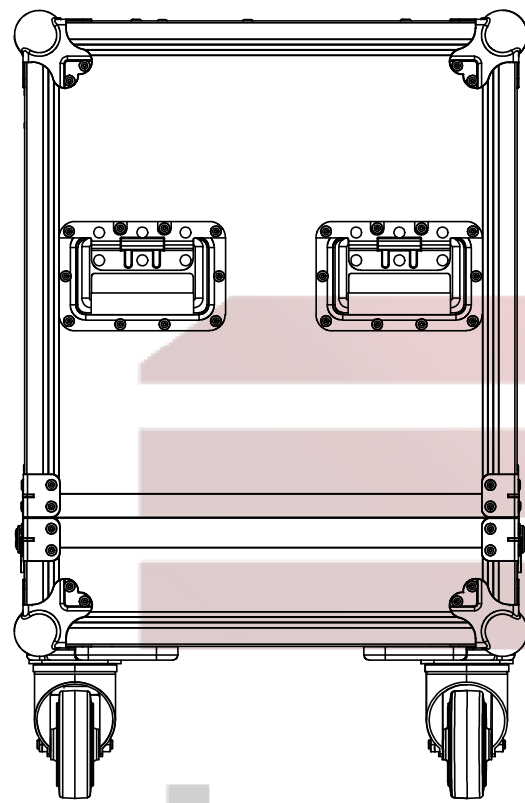
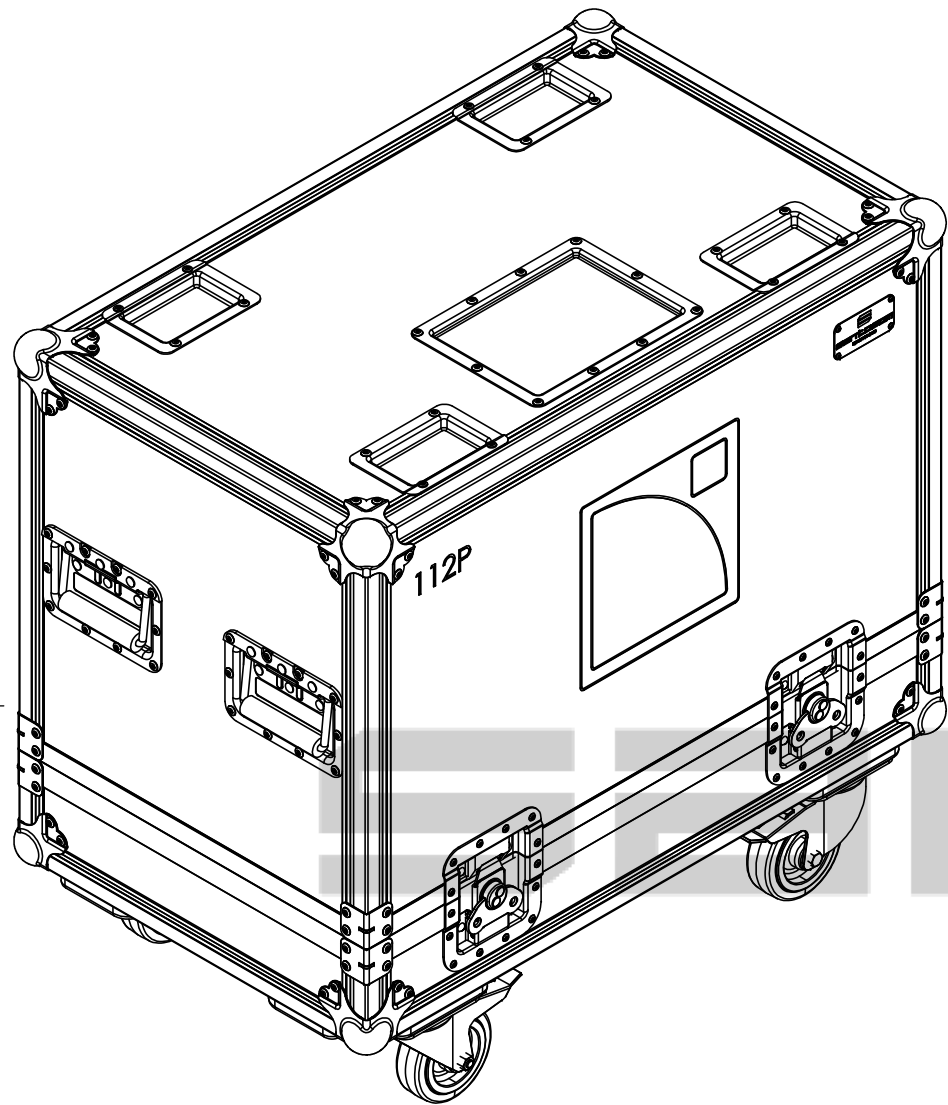


Interior dimensions		
Width	Depth	Height
479	422	547
Weight	Approx. 25 Kg	
Wall Thickness	10mm	



Hardware	
Qty	Description
8	Heavy Duty Ball Corner
8	Large corner bracket f. 35mm case angle
4	Recessed sprung handle medium model
4	Large butterfly V3 with 'push-back' function in 14mm dish
4	Castor dish deep zinc plated
2	Swivel castor Ø100 mm with brake
2	Swivel castor Ø100 mm
1	Dish for 88001 Tour Label

Drawn by	Name	Date
DanielLopes	DanielLopes	24-05-2012
Reference	CABINET.605R1	
Scale	units in mm	general tolerance
1:7	DO NOT SCALE	±0.8mm
1st Angle projection	FC, 2 L'Acoustics MTD 112P	

This drawing must not be copied or disclosed without consent of the owner

