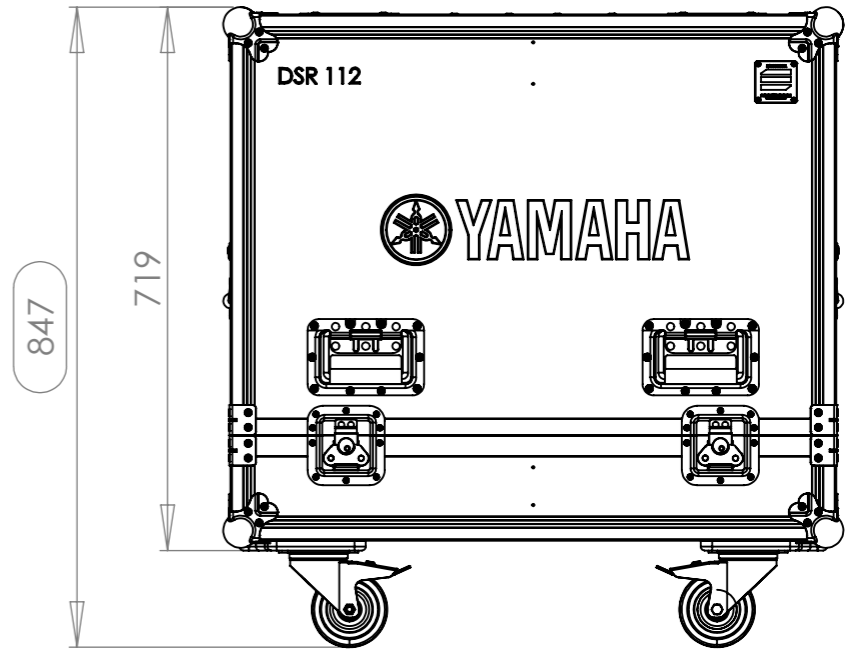
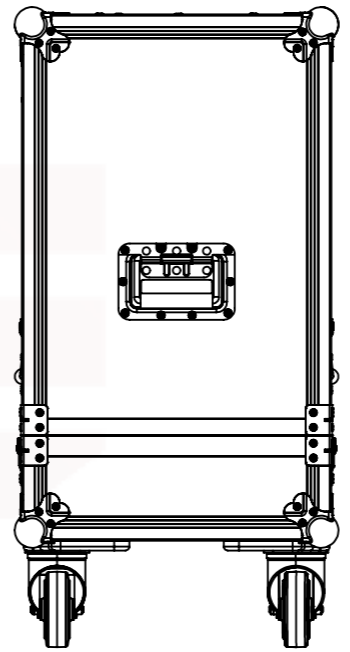
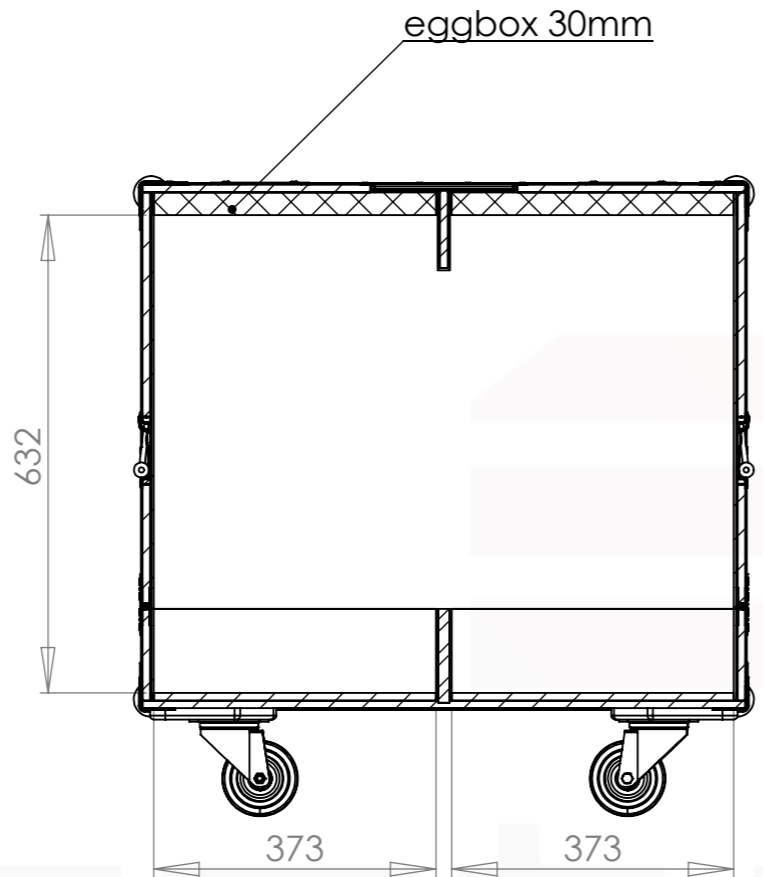
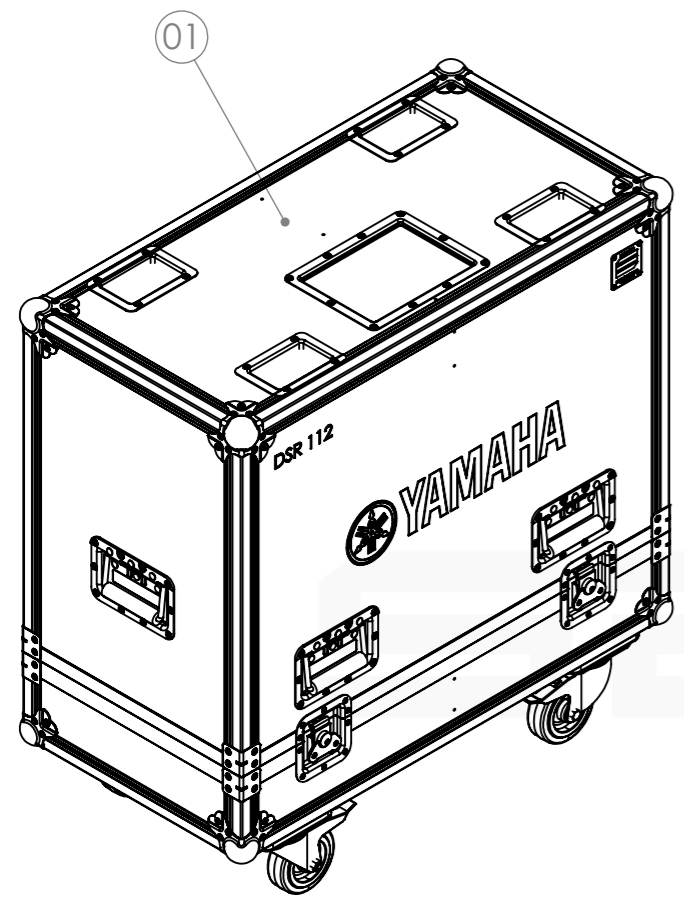
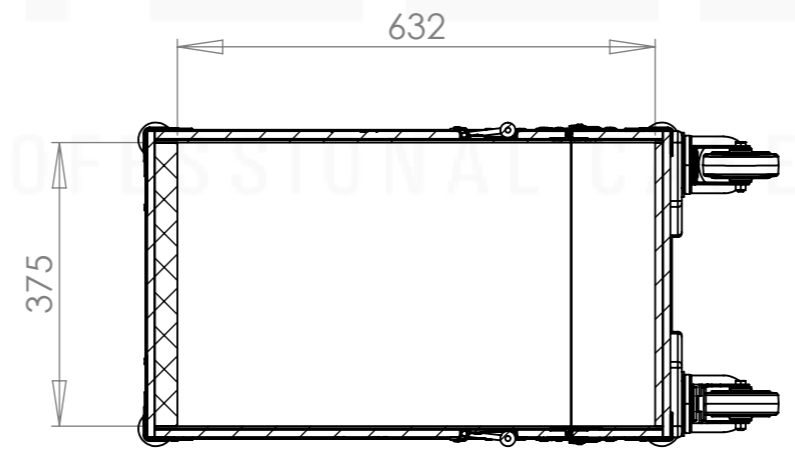


Internal Dimensions		
Width	Depth	Height
373	375	632
Weight	Approx. 27 Kg	
Wall Thickness	10mm	

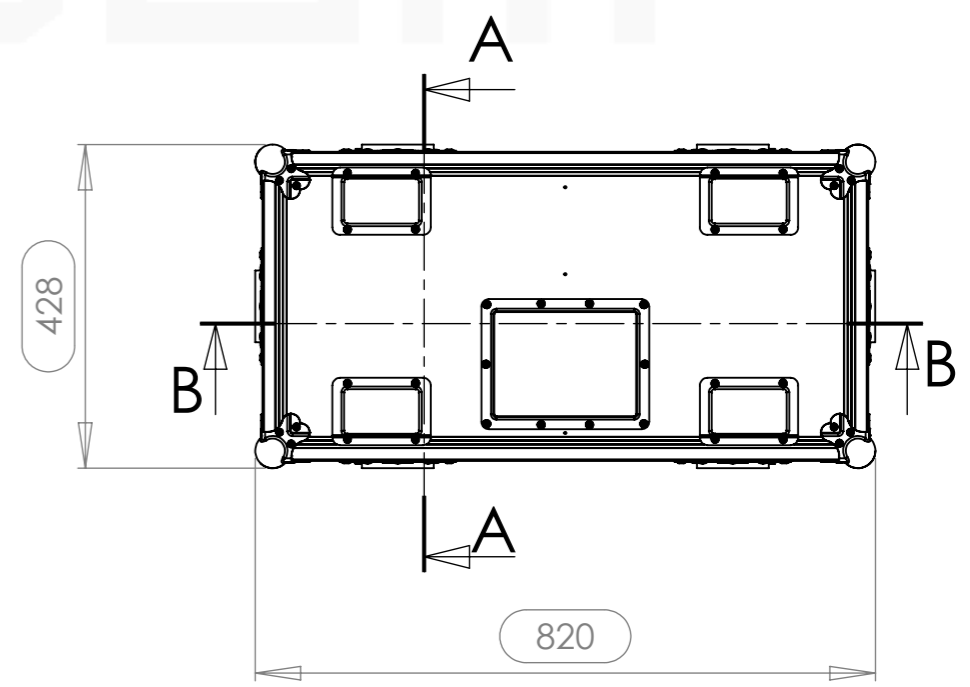
REVISIONS				
ZON E	REV.	DESCRIPTION	DATE	APPROVED
E8	01	Included Dish for 88001 Tour Label and Castor dish deep zinc plated	16/06/2017	Jorge Pacheco



SECTION B-B



SECTION A-A



Hardware		
Qty	Ref.	Description
4	17290S	Key lockable medium Butterfly special
8	410429	Heavy Duty Ball Corner
8	40403	Large corner bracket f. 35mm case angle
1	88001D	Dish for 88001 Tour Label
4	38082	Castor dish deep zinc plated
2	RODA.100	Swivel castor Ø100 mm
2	RODA.100T	Swivel castor Ø100mm with brake
6	34082	Recessed Sprung Handle Medium
1	CHAPA.1000	Identification Plate

This drawing must not be copied or disclosed without consent of the owner

Drawn by	Name	Date
jorgepacheco	jorgepacheco	16/06/2017
Reference	CABINET.553R	
Scale	units in mm	general tolerance
1:10	DO NOT SCALE	0.8mm
1st Angle projection	FC, 2 Yamaha DSR 112, rodas	

