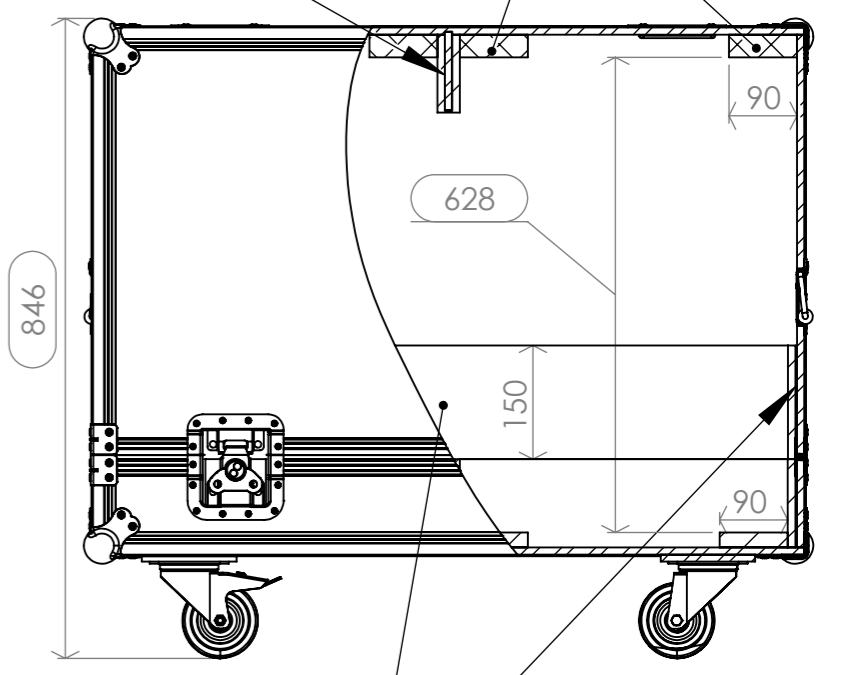
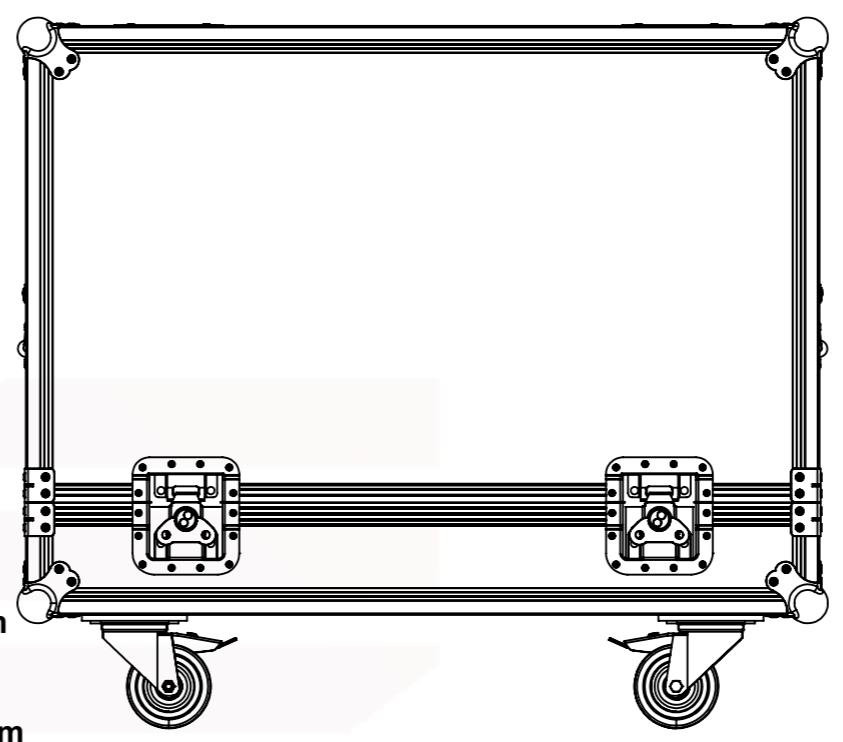
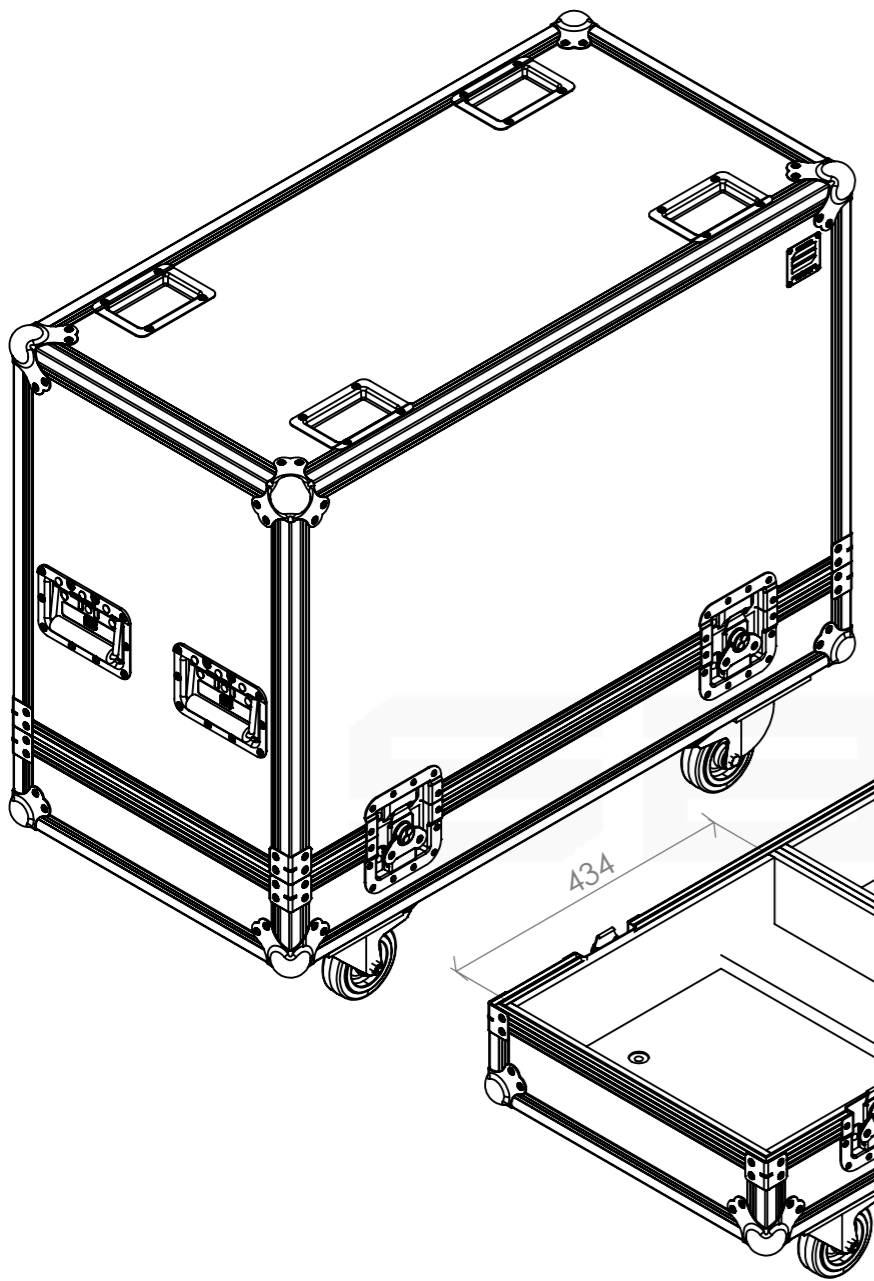


| Equipment | | | JBL SRX812P | | |
|---------------------|---------------|--------|-------------|--|--|
| Width | Depth | Height | | | |
| 415 | 429 | 638 | | | |
| Internal Dimensions | | | | | |
| Width | Depth | Height | | | |
| 434 | 420 | 628 | | | |
| Weight | Approx. 24 Kg | | | | |
| Wall Thickness | | 9.5mm | | | |

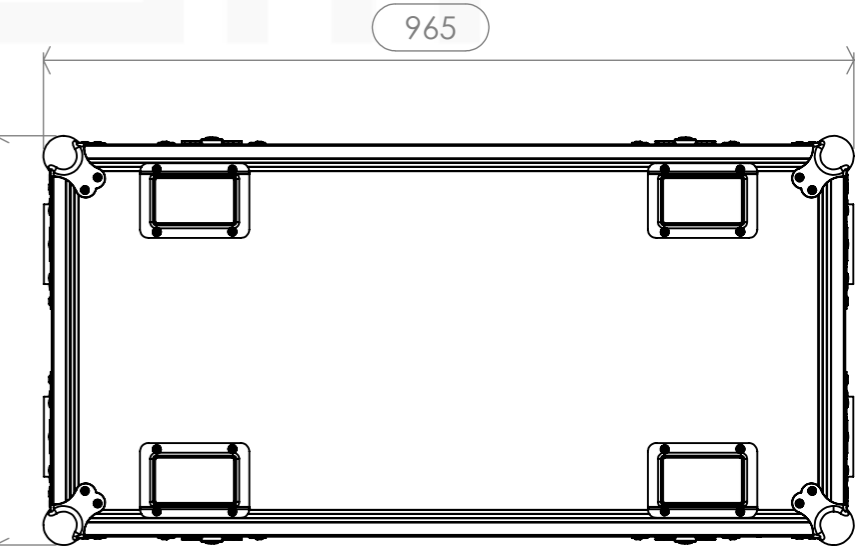
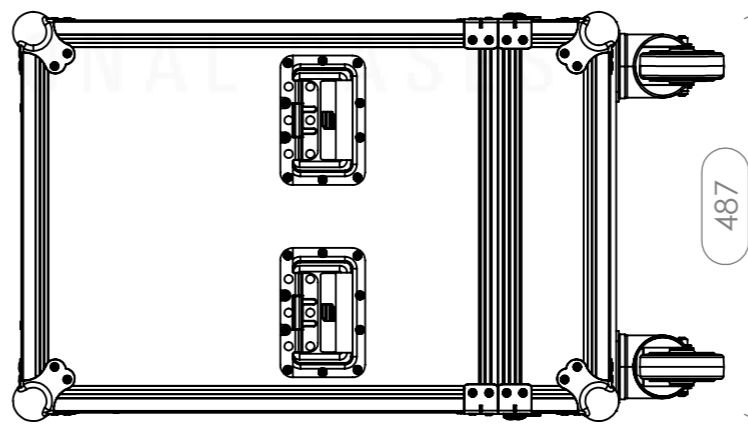
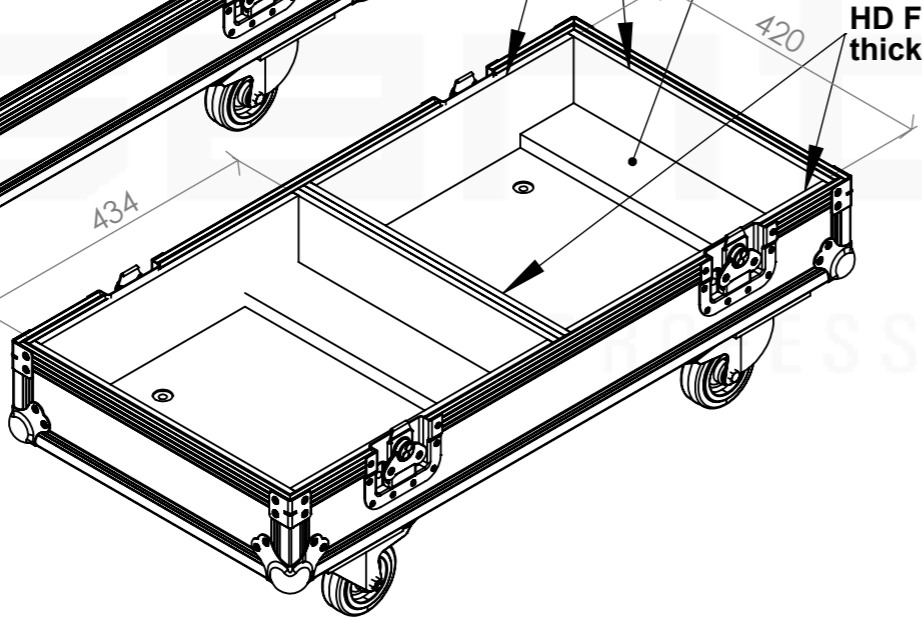


HD Foam thickness=10 mm

HD Foam thickness=20 mm

HD Foam thickness=10 mm

HD Foam thickness=10 mm



| Hardware | | |
|----------|-----------|--|
| Qty | Ref. | Description |
| 8 | 40403 | Large corner bracket f. 35mm case angle |
| 4 | 34082 | Recessed sprung handle medium model |
| 2 | RODA.100T | Swivel castor Ø100mm with brake |
| 2 | RODA.100 | Swivel castor Ø100 mm |
| 8 | 4101 | Heavy duty ball corner, zinc plated |
| 4 | 38082 | Castor dish deep zinc plated |
| 4 | 172531 | Large butterfly V3 with 'push-back' function |

This drawing must not be copied or disclosed without consent of the owner

| | | |
|-------------------------------------|--------------|-------------------|
| Drawn by | Name | Date |
| joao | joao | 28/09/2016 |
| Reference | CABINET.430E | |
| Scale | units in mm | general tolerance |
| 1:9 | DO NOT SCALE | 0.8mm |
| FC ECOLINE 2X JBL SRX812P, RODAS | | |

