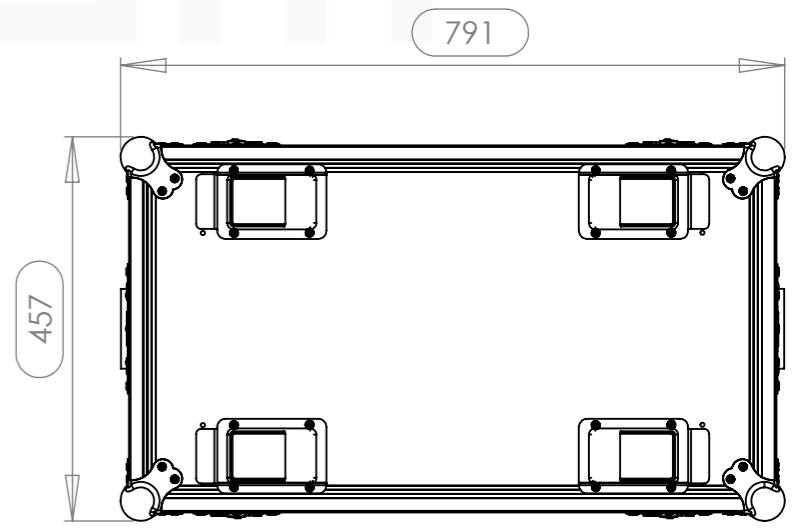
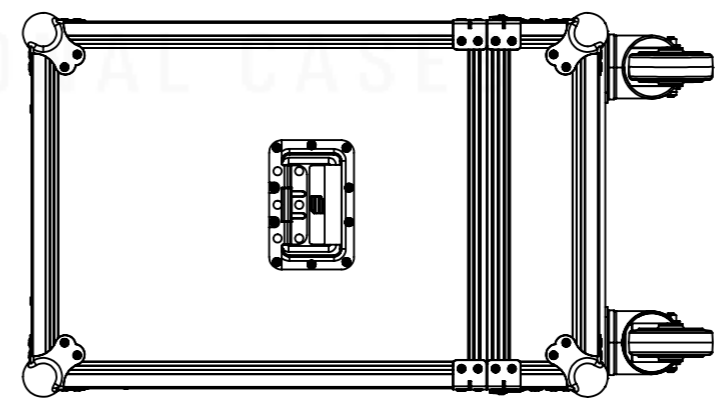
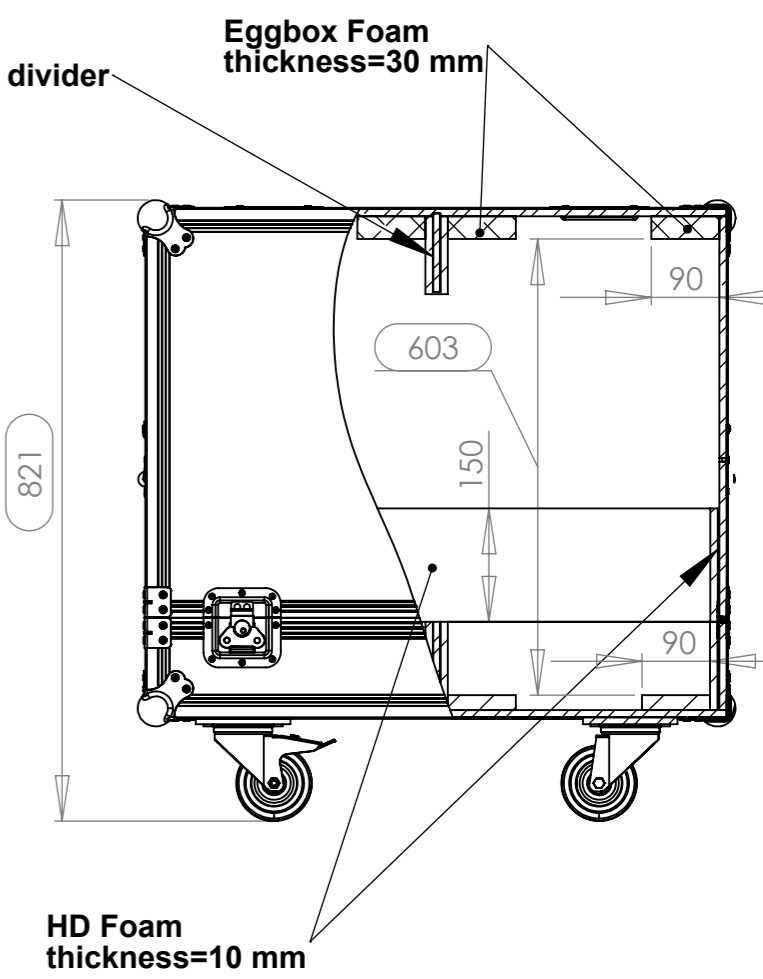
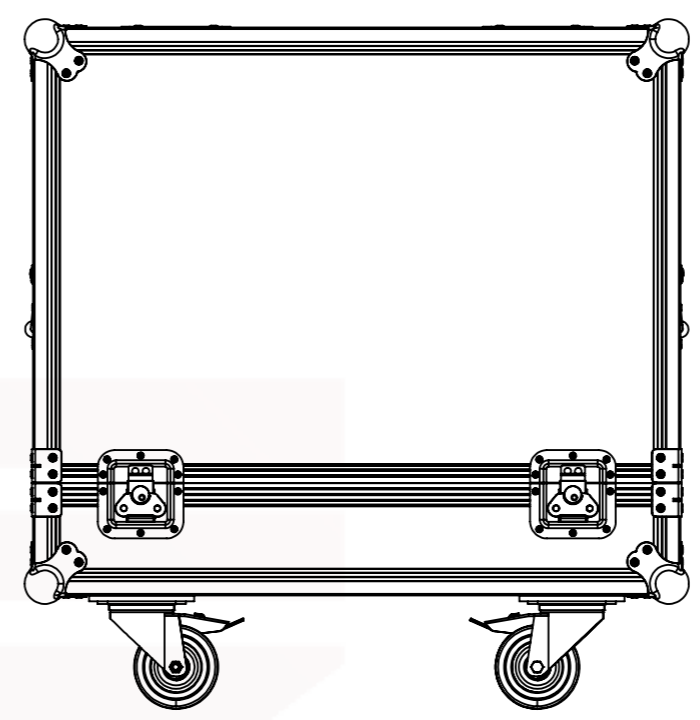
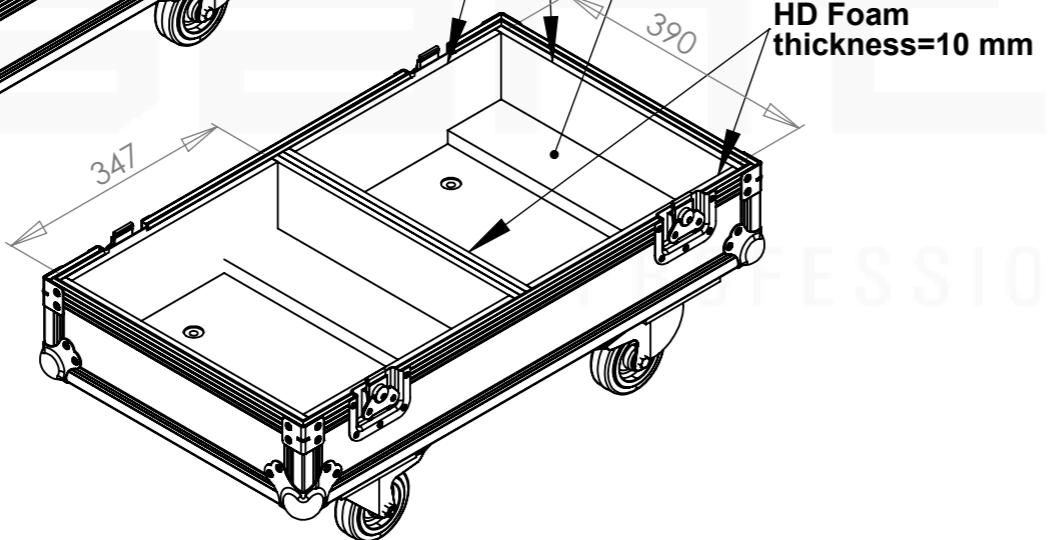
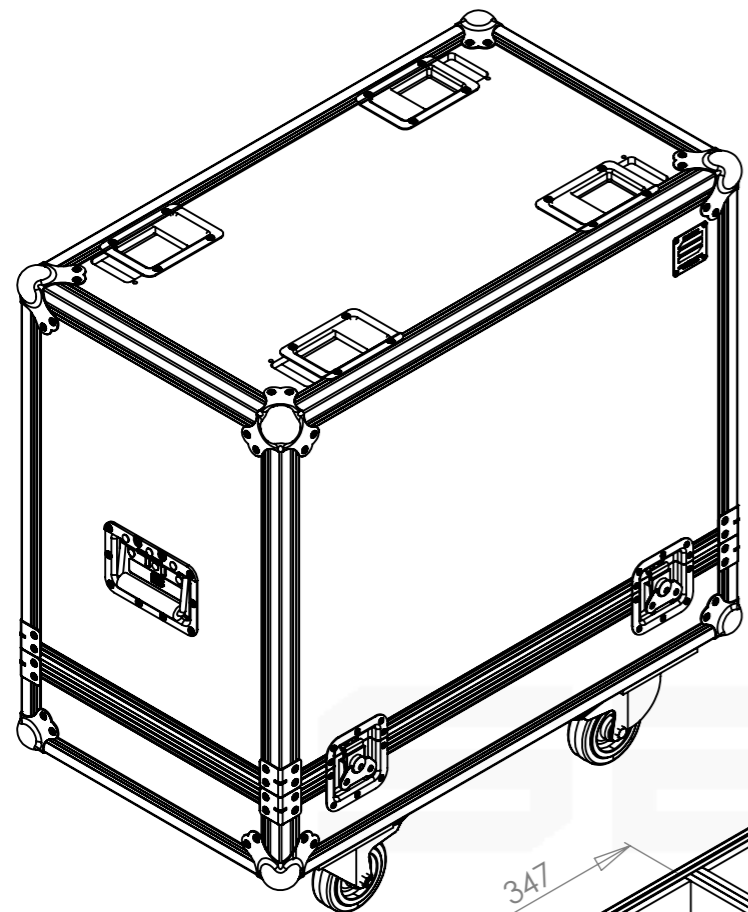


Internal Dimensions		
Width	Depth	Height
347	390	603
<b>Weight</b>	Approx. 22 Kg	
<b>Wall Thickness</b>		9.5mm

Equipment		
JBL PRX712		
Width	Depth	Height
385	342	613



Hardware		
Qty	Ref.	Description
8	40403	Large corner bracket f. 35mm case angle
2	34082	Recessed sprung handle medium model
2	RODA.100T	Swivel castor Ø100mm with brake
2	RODA.100	Swivel castor Ø100 mm
8	4101	Heavy duty ball corner, zinc plated
4	38082	Castor dish deep zinc plated
4	17290S	Key lockable medium Butterfly special

A3 This drawing must not be copied or disclosed without consent of the owner

Drawn by	Name	Date
projects	projects	12/08/2016
Reference	CABINET.416E	
Scale	units in mm	general tolerance
1:9	DO NOT SCALE	0.8mm
FC ECOLINE 2X JBL PRX712, RODAS		

