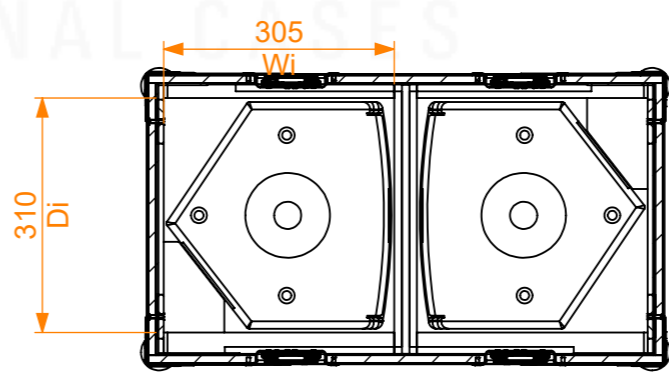
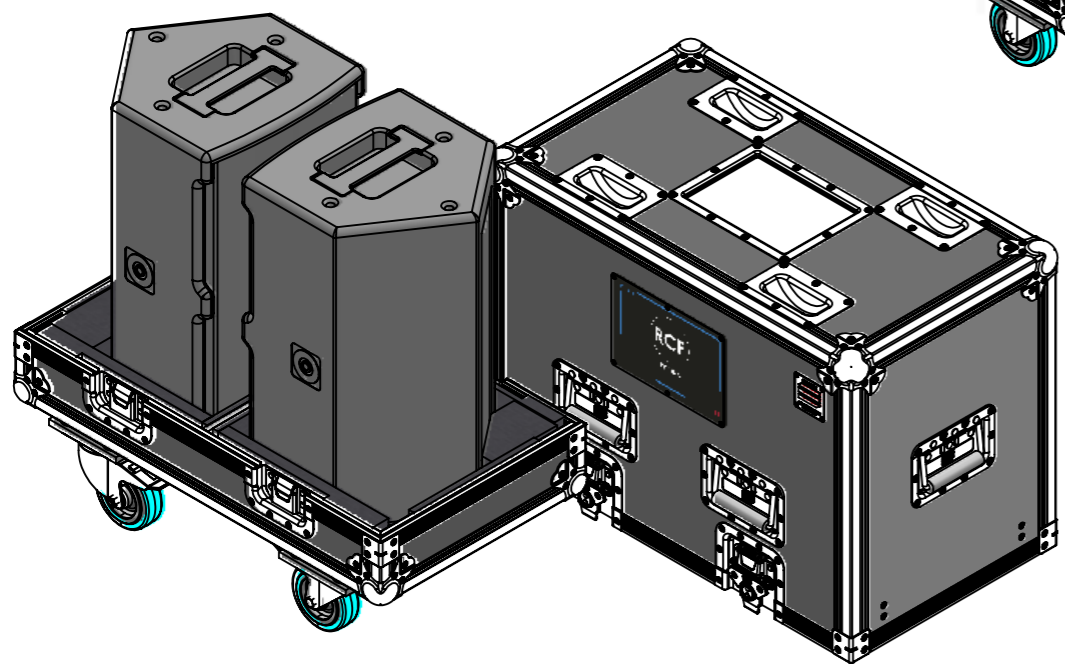
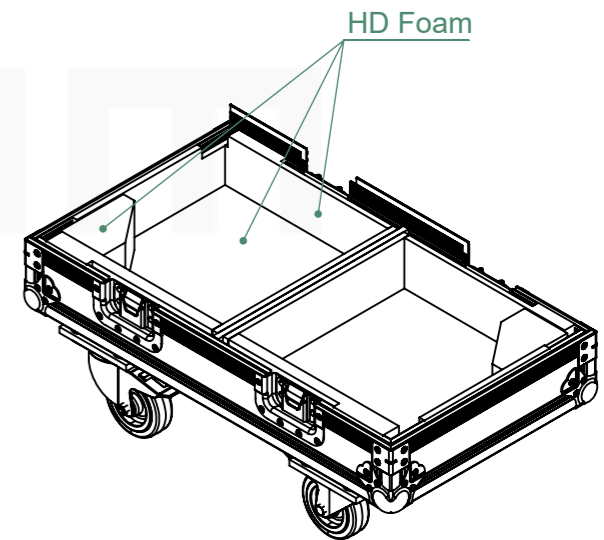
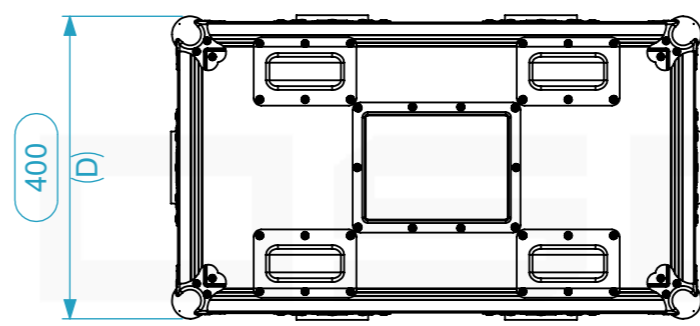
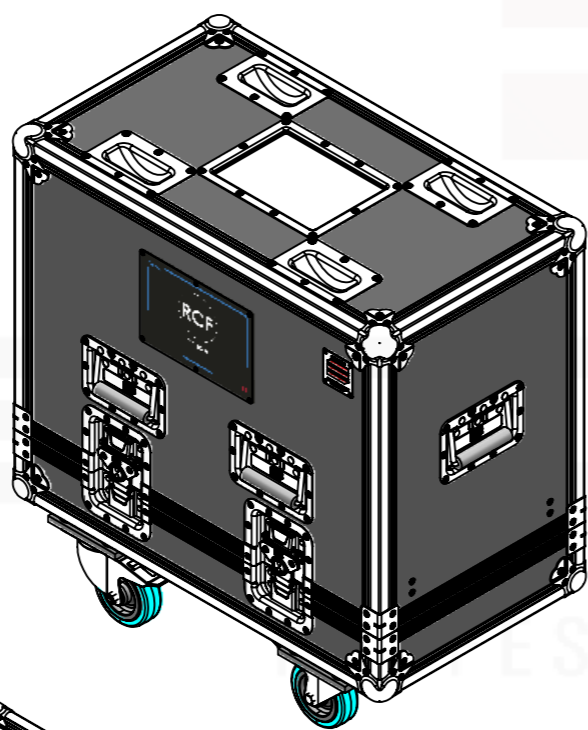
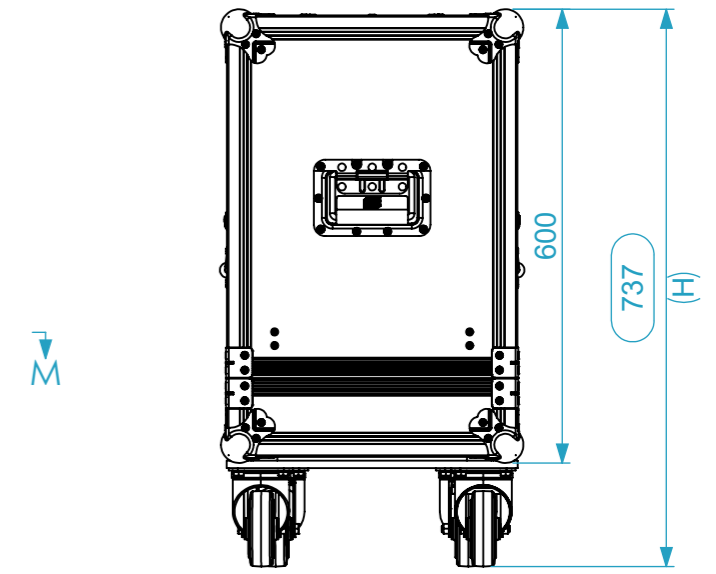
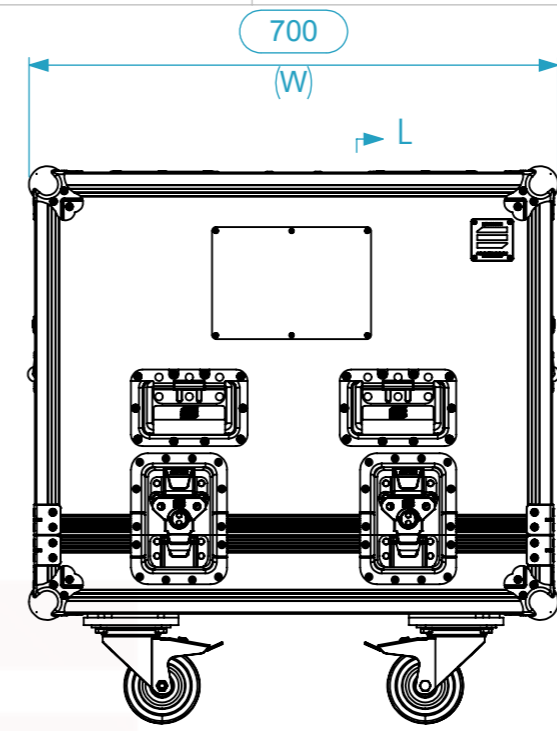
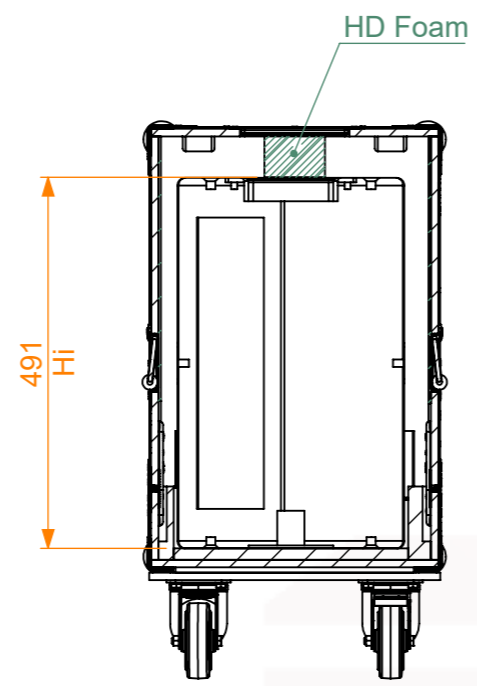
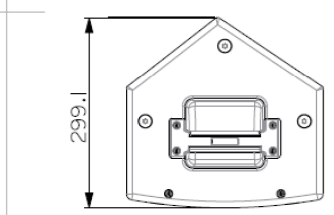
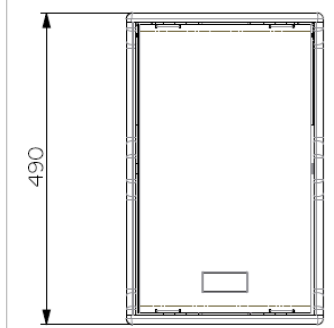
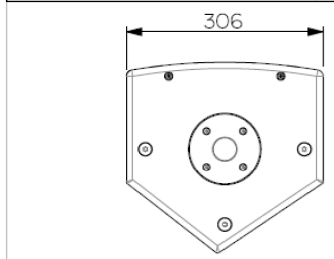


Equipment			RCF TT 10-A		
Width	Depth	Height			
306	299	490			
Weight	Approx. 11.5 Kg				
Internal Dimensions					
Width	Depth	Height			
305	310	491			
Weight	Approx. 23.97 Kg				
Wall Thickness		10mm			



General External Dimensions	
W	Width
D	Depth
H	Height
Usable Inner Dimensions	
Wi	Inside Width
Di	Inside Depth
Hi	Inside Height

Name	Date	
Drawn by	guilherme.santos	06/04/2026
Reference	CABINET.395	
Scale	1:10	units in mm
	DO NOT SCALE	general tolerance 0.8mm
	Flight case PRO 2x RCF TT 10-A	



This drawing must not be copied or disclosed without consent of the owner



A3