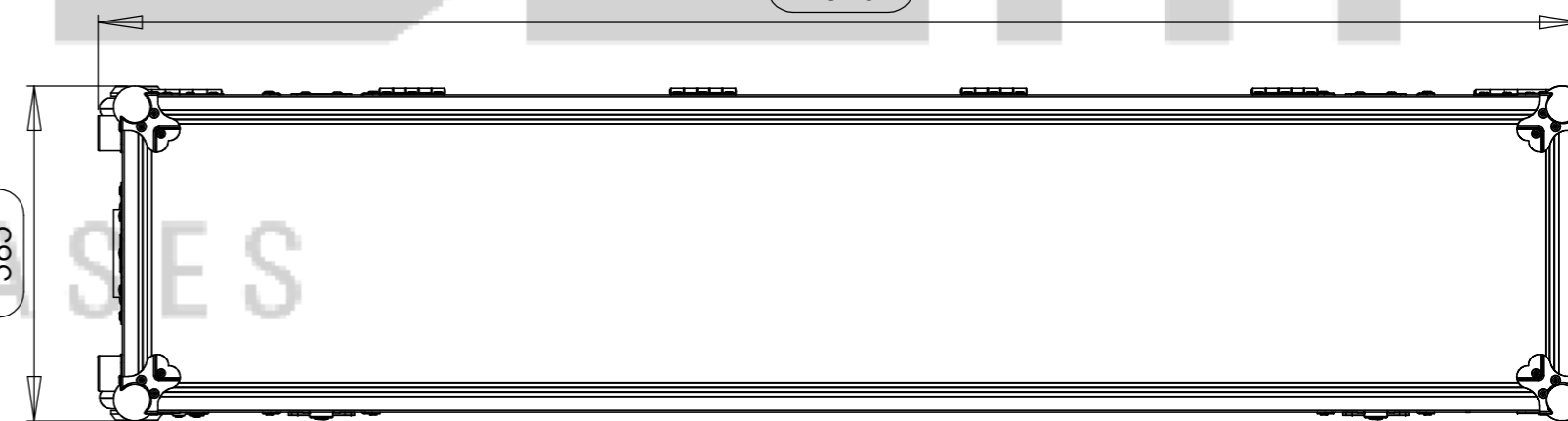
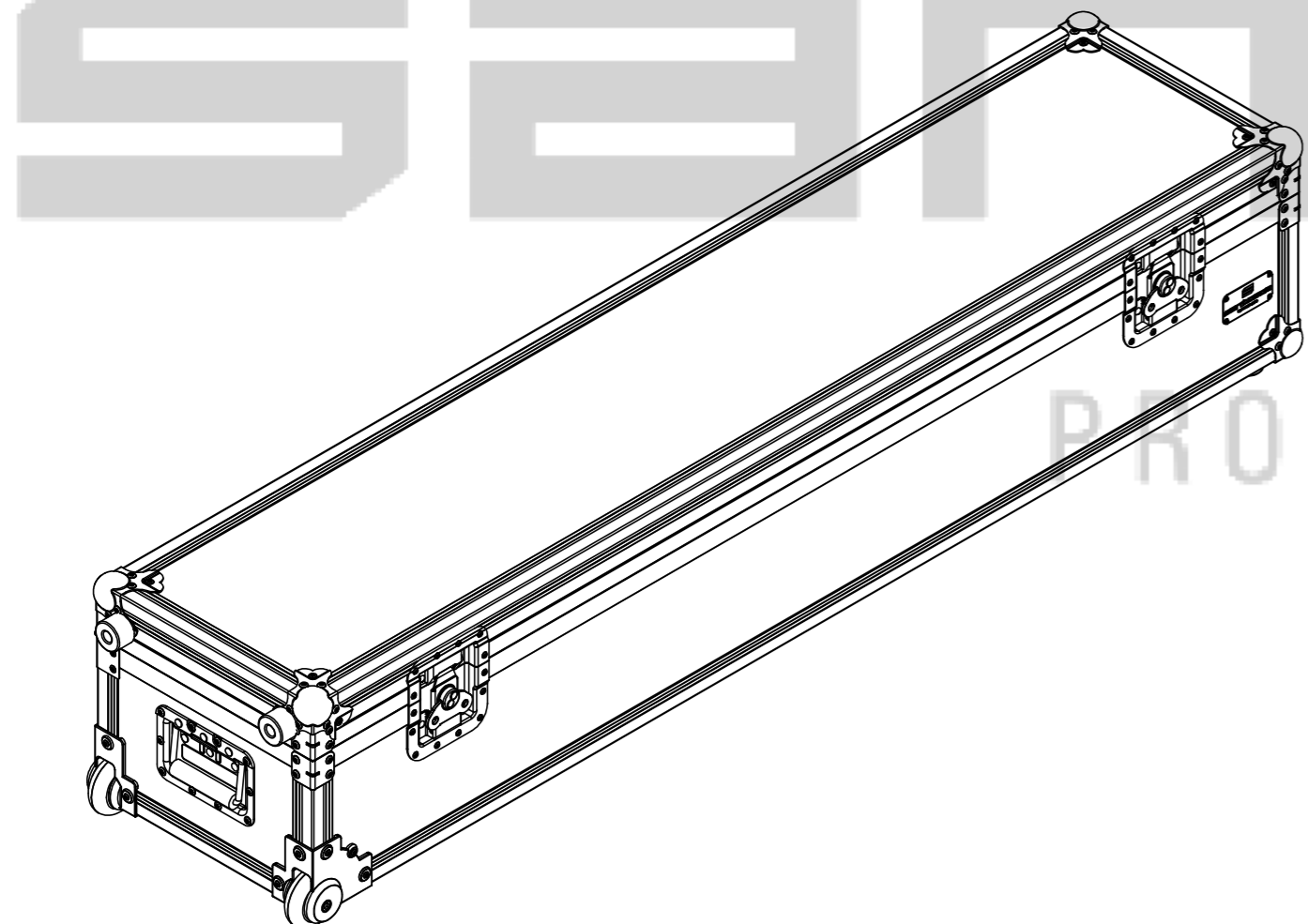
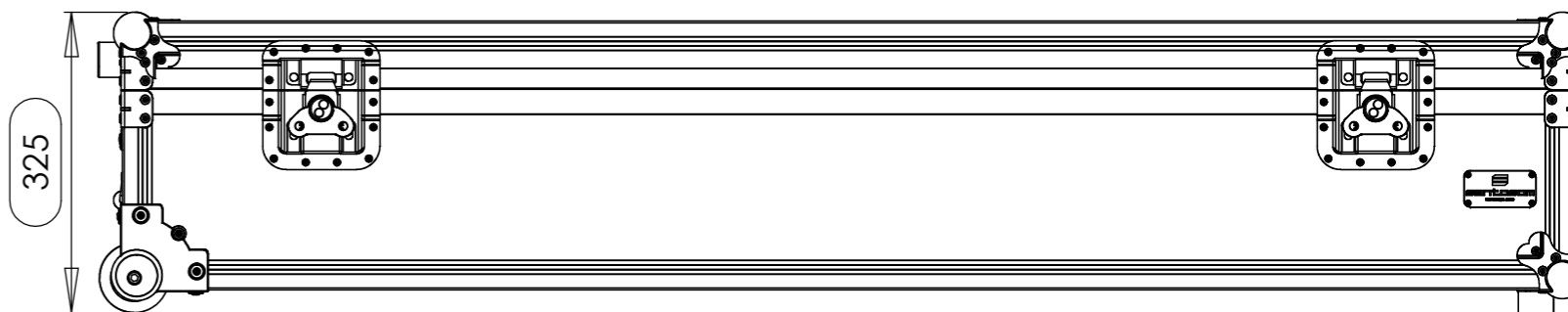
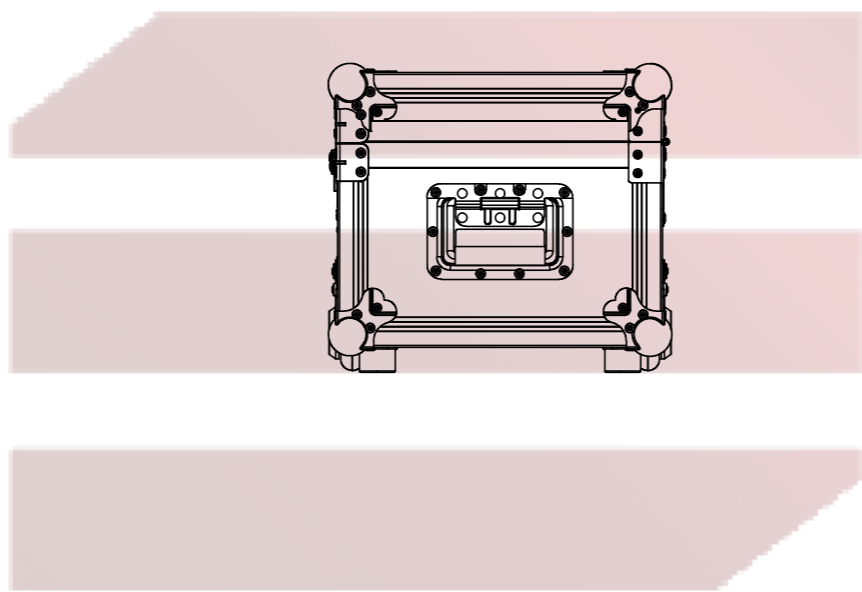
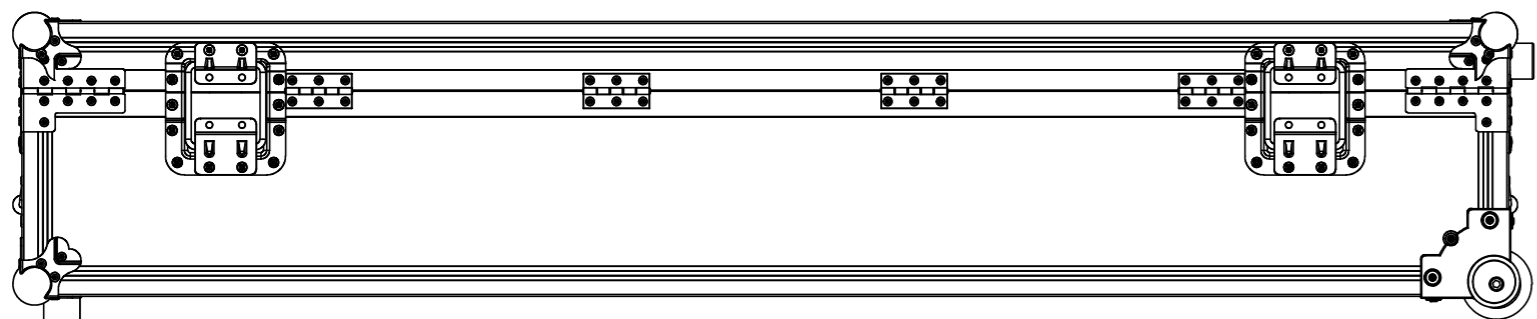



Interior dimensions		
Width	Depth	Height
1505	315	187
Weight	Approx. 23 Kg	
Wall Thickness	10mm	



santosom  
PROFESSIONAL CASES

This drawing must not be copied or disclosed without consent of the owner 	Drawn by	DanielLopes	Date	10-04-2012
	Reference	CABINET.329		
	Scale	1:6	general tolerance	0.05mm
		FC. P/ Coluna : FOHHN ( LINEA LX-601)		



PROFESSIONAL CASES