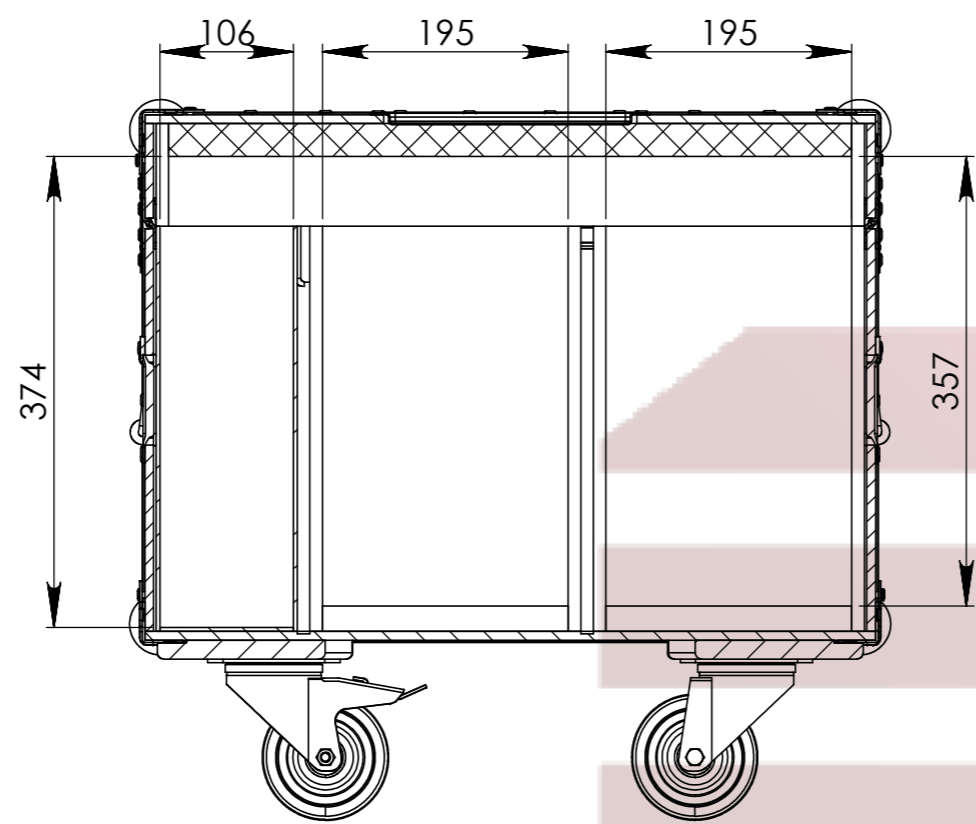
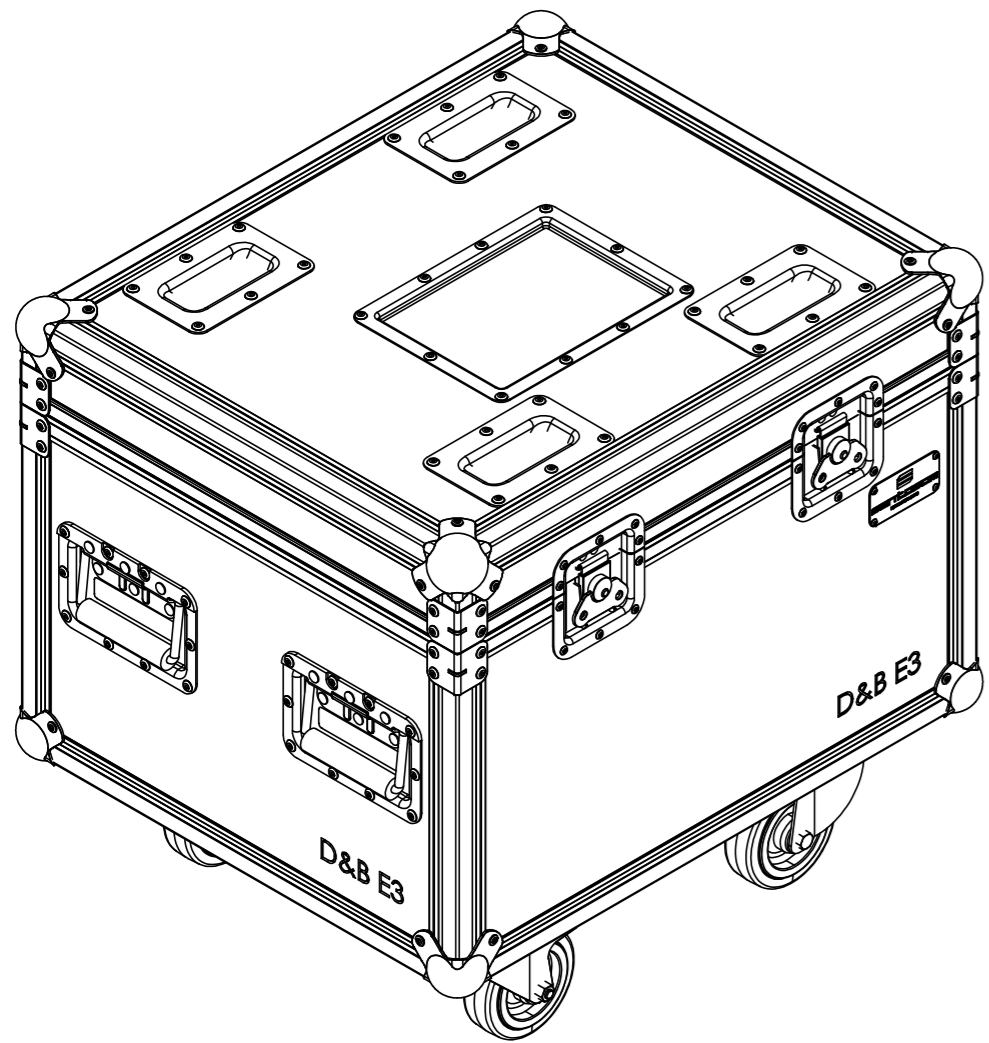
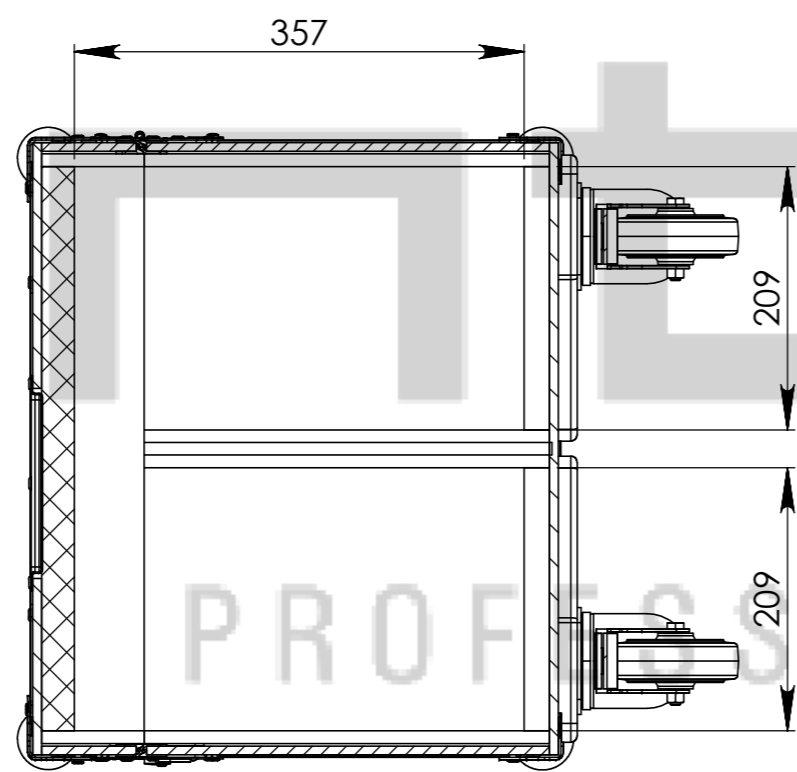
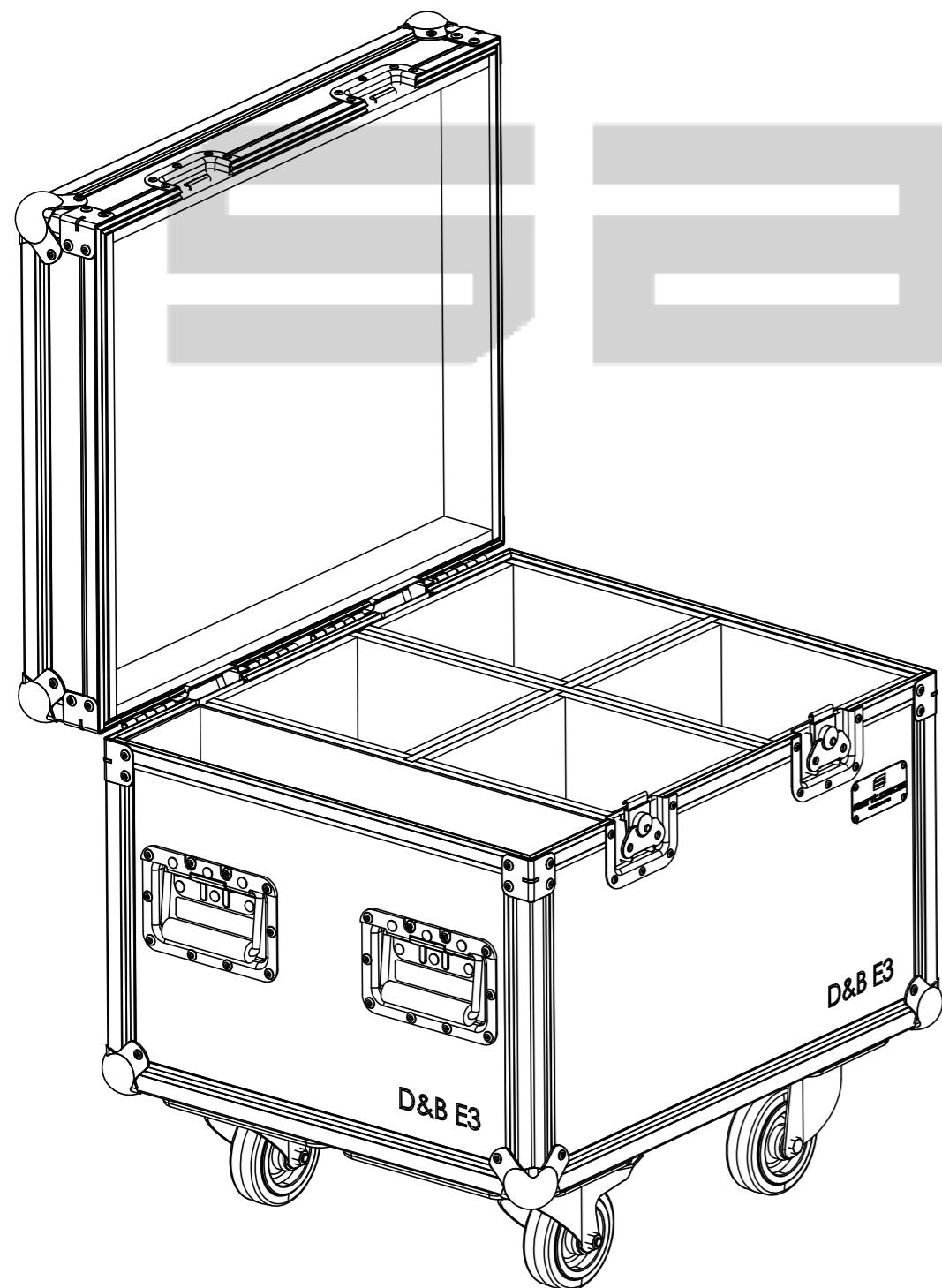
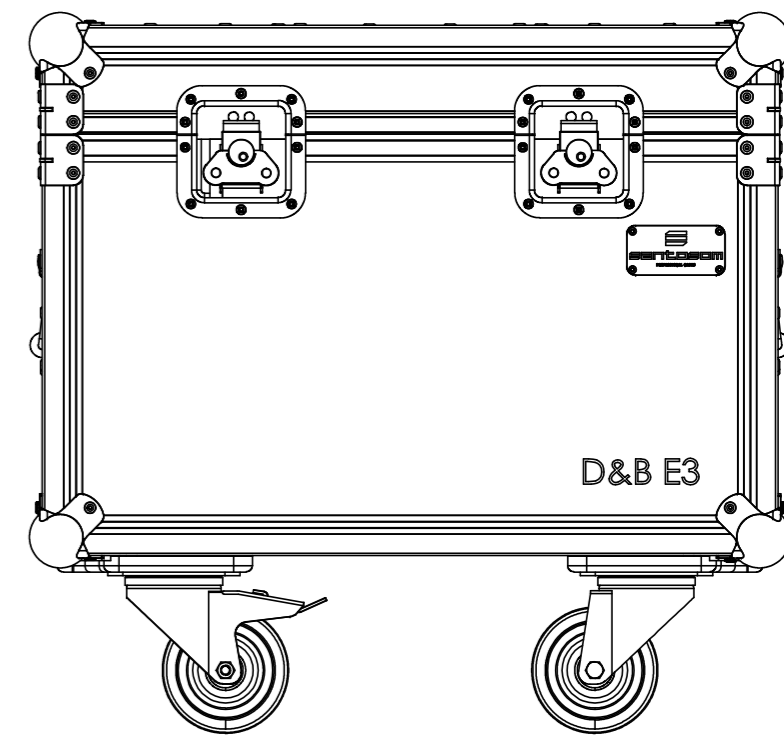
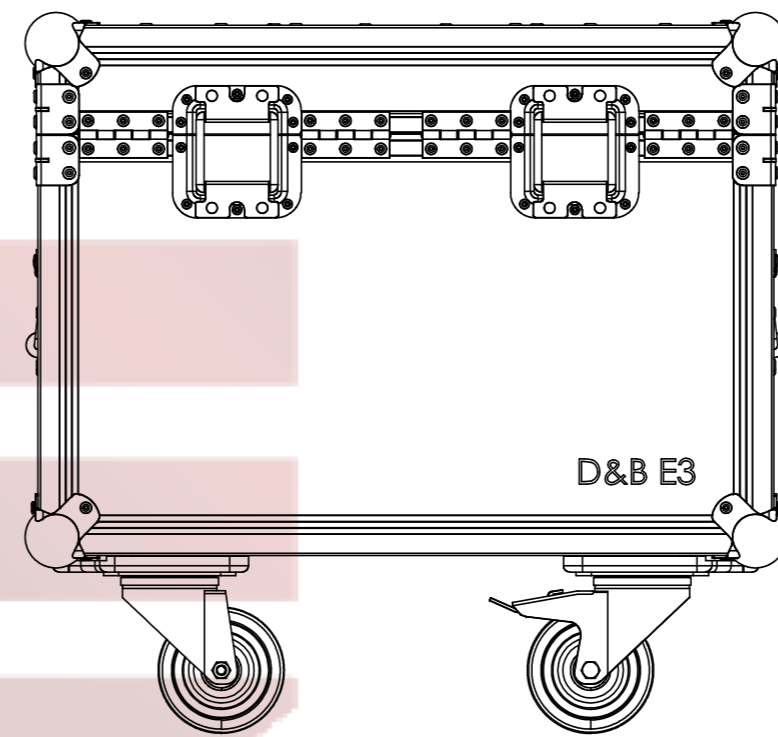


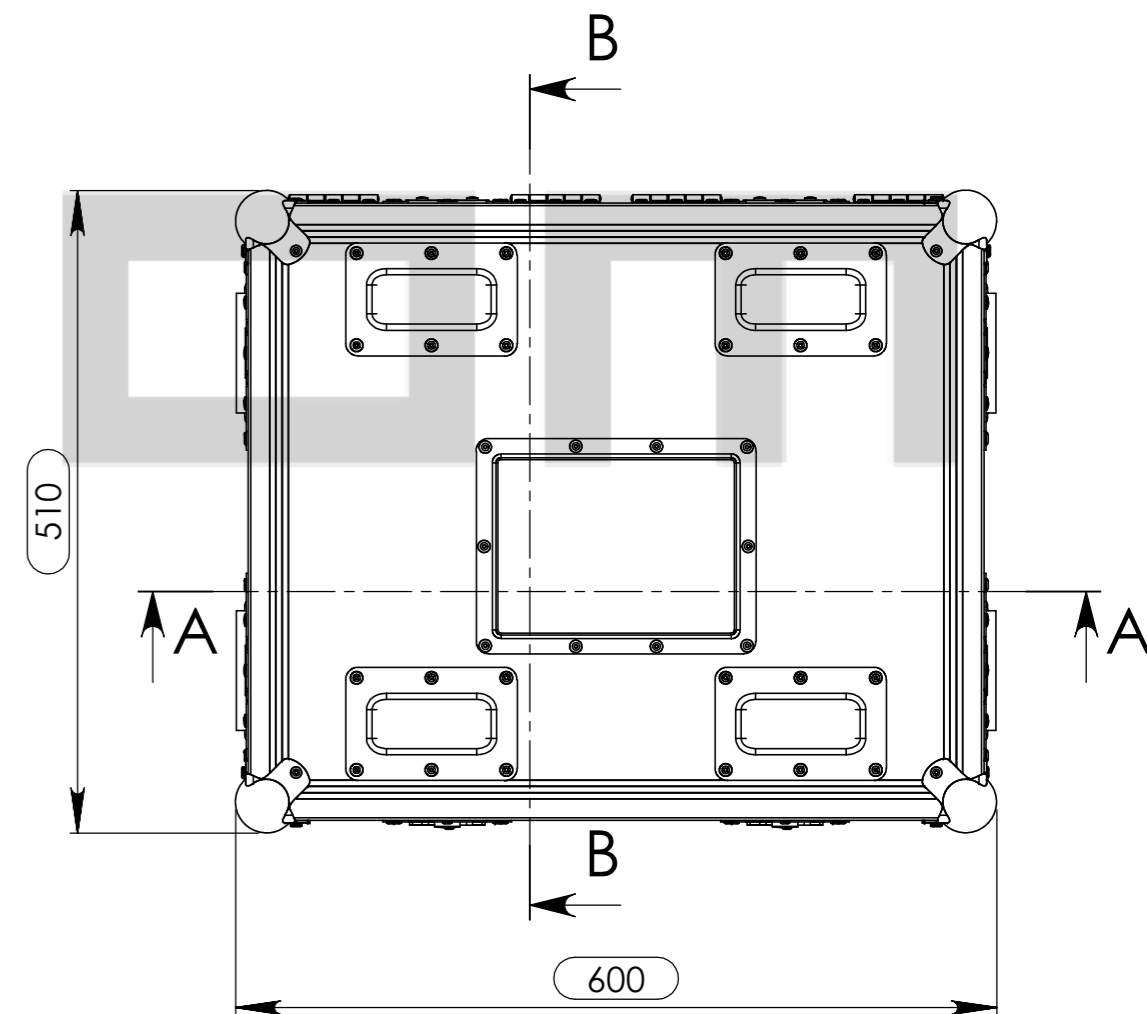
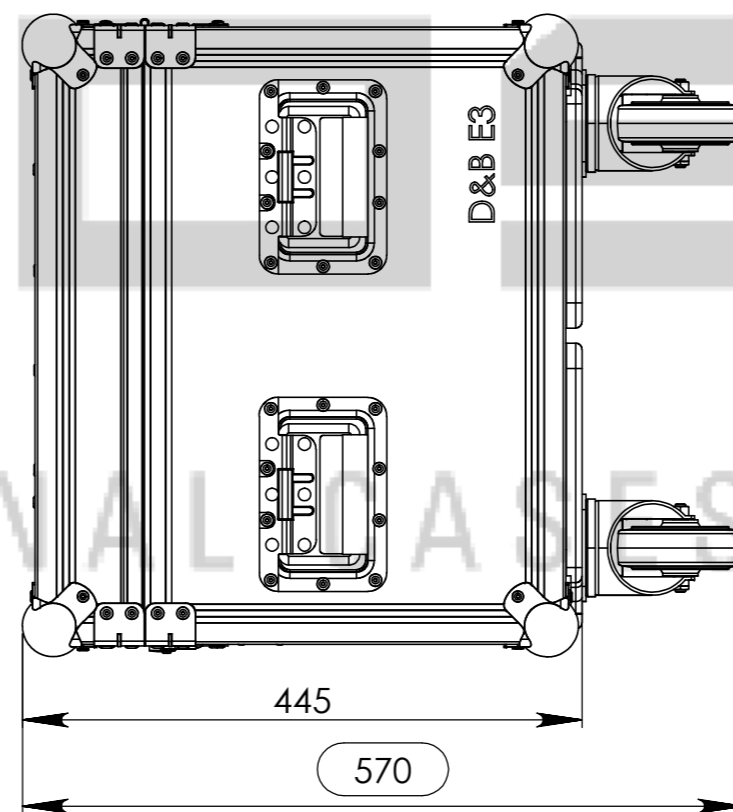
Interior dimensions		
Width	Depth	Height
195	209	357
Weight	Approx. 22 Kg	
Wall Thickness	7mm	



SECTION A-A



SECTION B-B



This drawing must not be copied or disclosed without consent of the owner

Drawn by	Name	Date
pedroneves	pedroneves	02-02-2012
Reference	CABINET.326	
Scale	1:6	general tolerance 0.05mm
1st Angle projection	FC, 4x D&B E3 + access	

