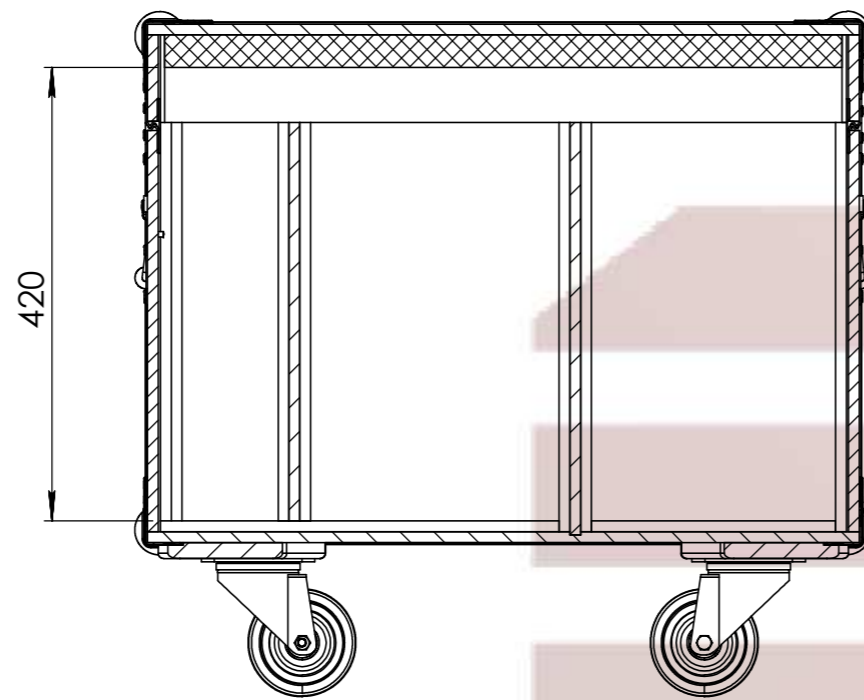
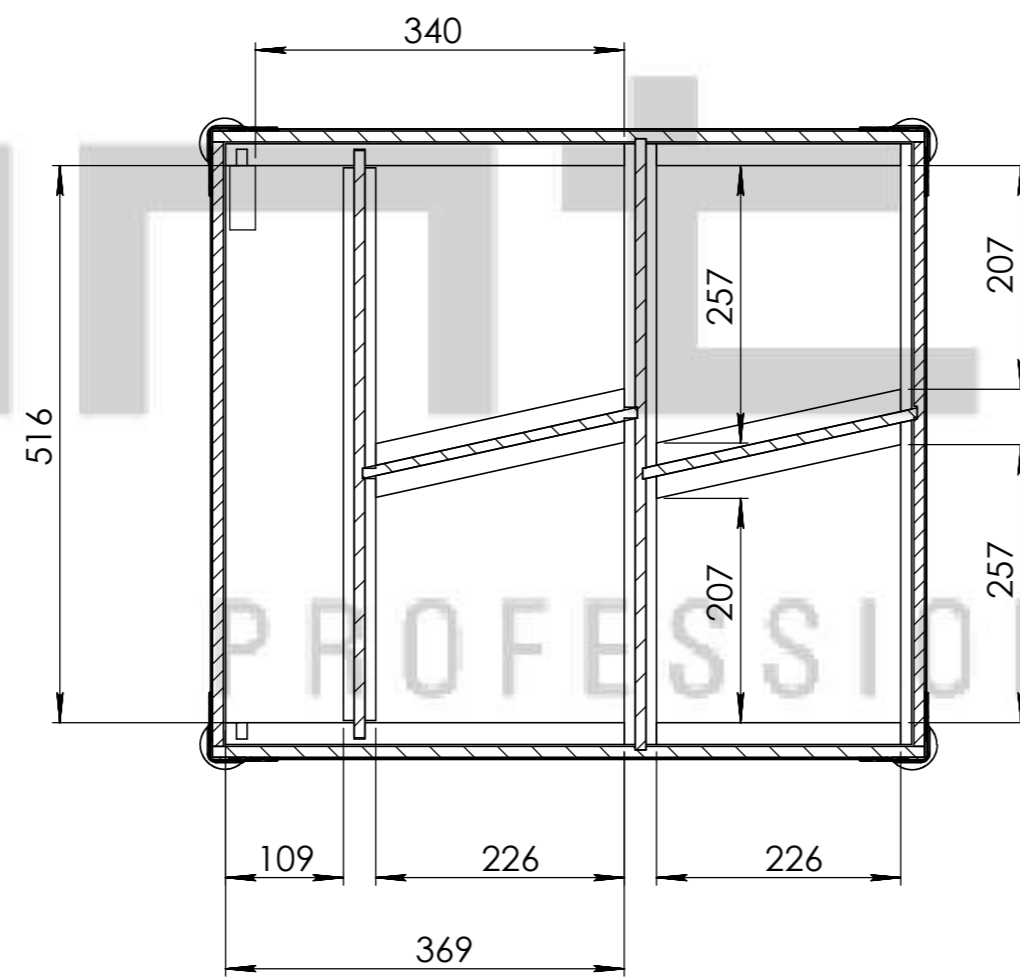
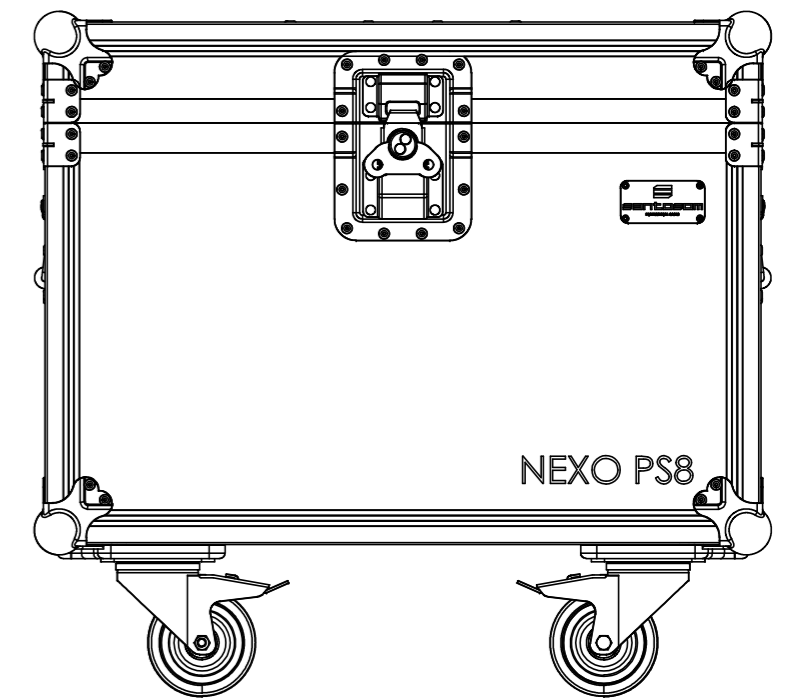
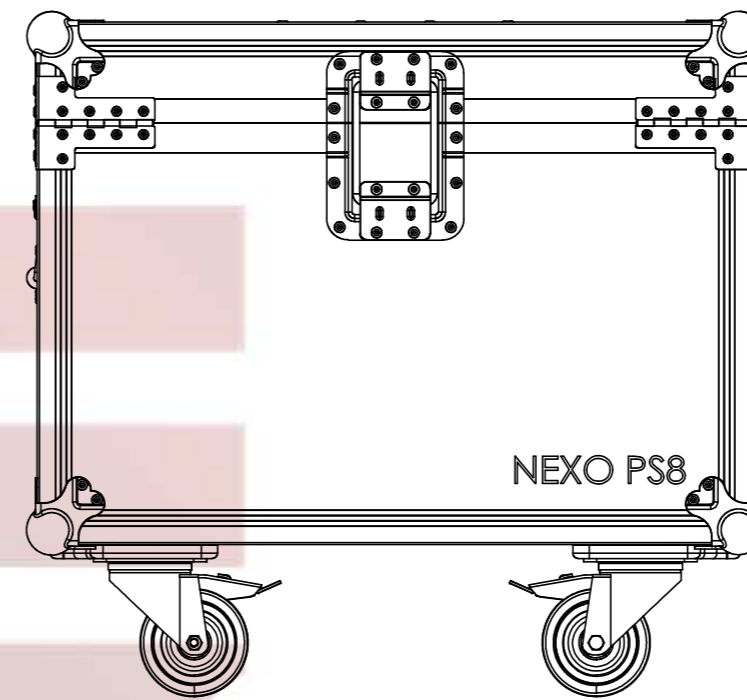


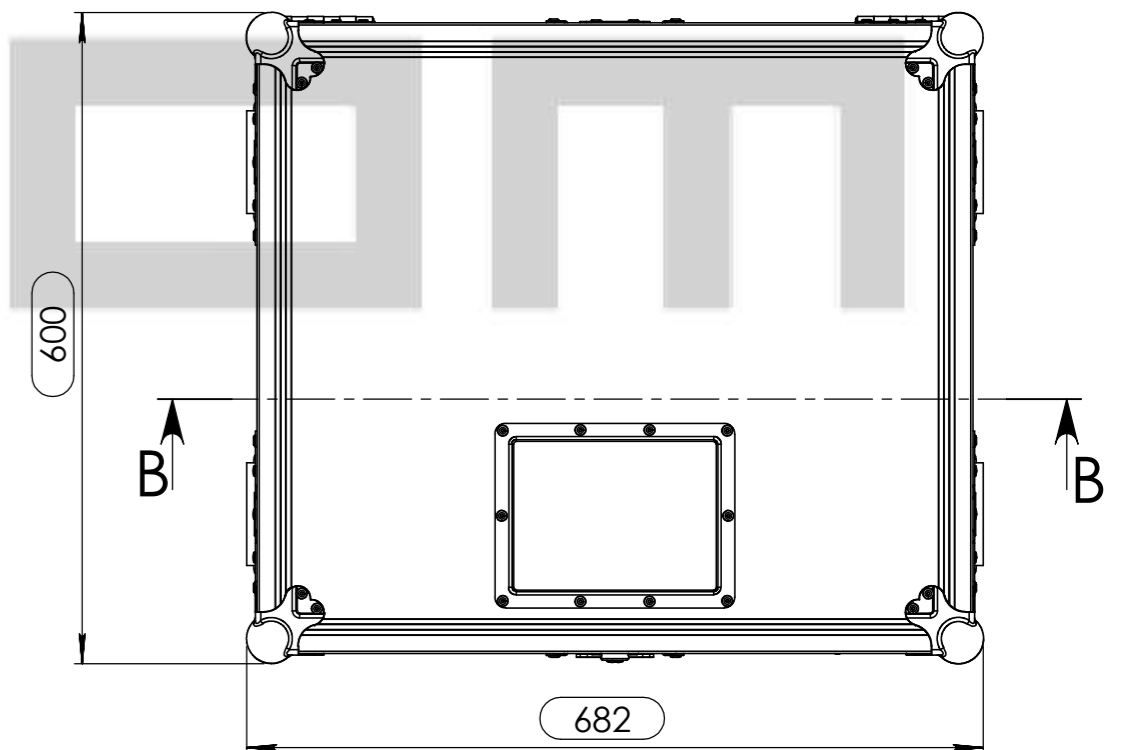
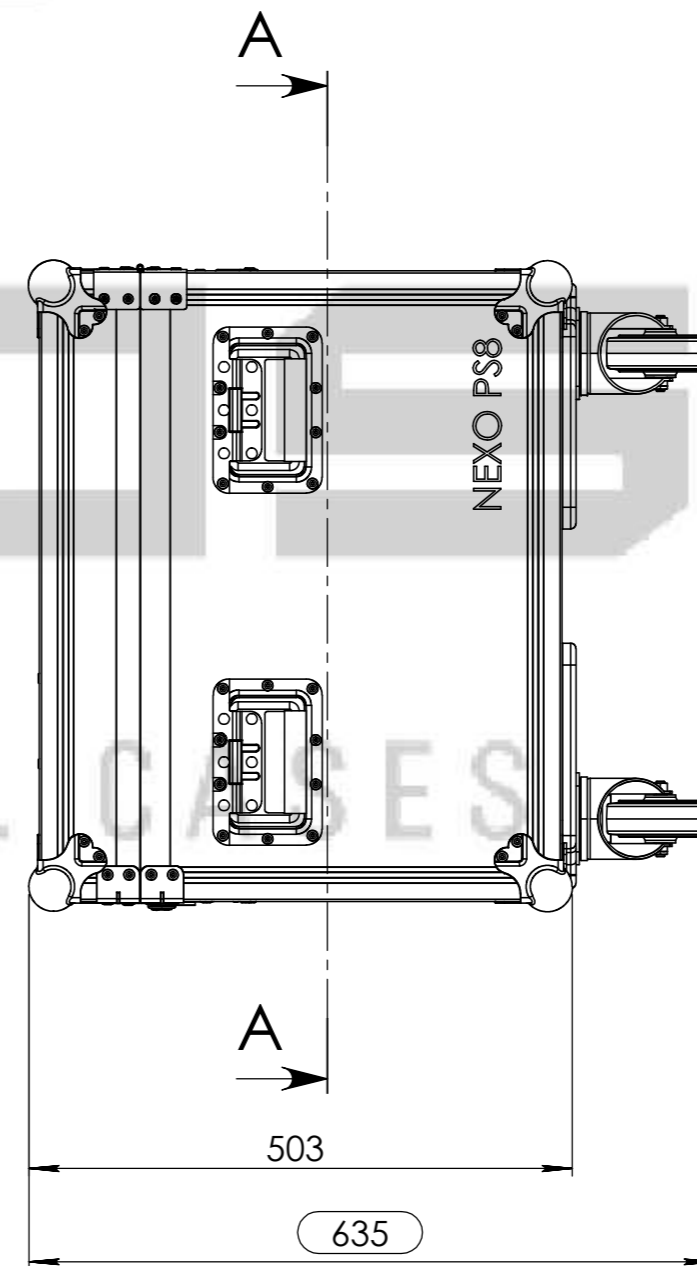
Interior dimensions		
Width	Depth	Height
516	340	420
258	226	420
Weight	Approx. 29 Kg	
Wall Thickness		10mm



SECTION B-B



SECTION A-A



Drawn by	Name	Date
pedroneves	pedroneves	01-02-2012
Reference	CABINET.323	
Scale	1:7	general tolerance 0.05mm
FC, Nexo 2x PS8 + SUB ou 4x PS8		

This drawing must not be copied or disclosed without consent of the owner

