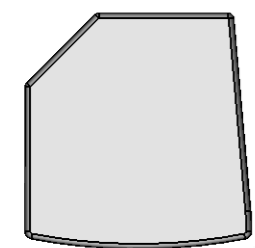
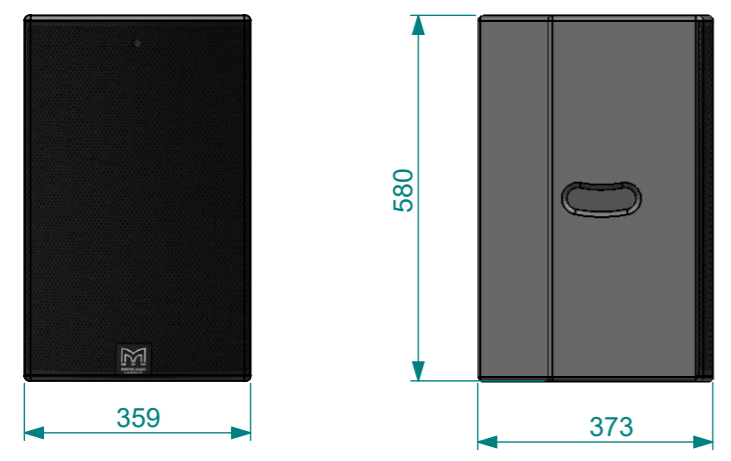
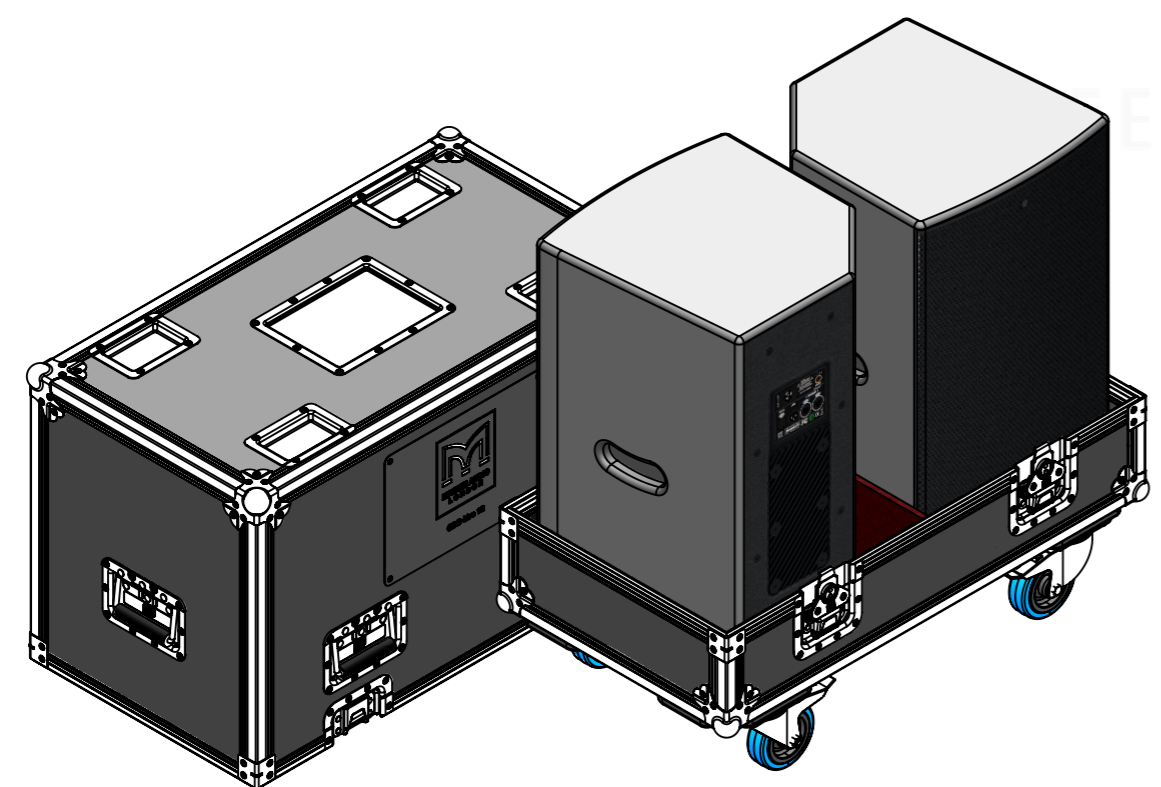
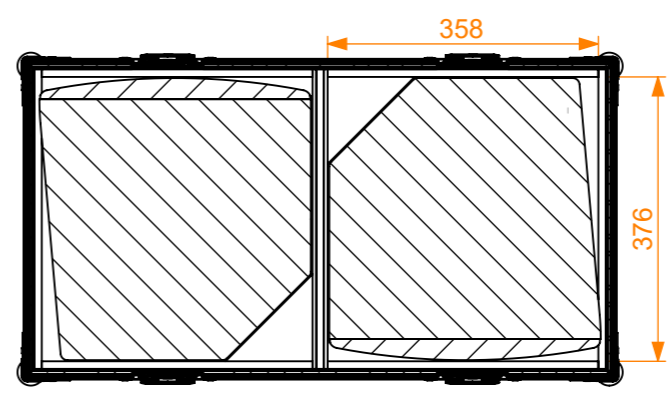
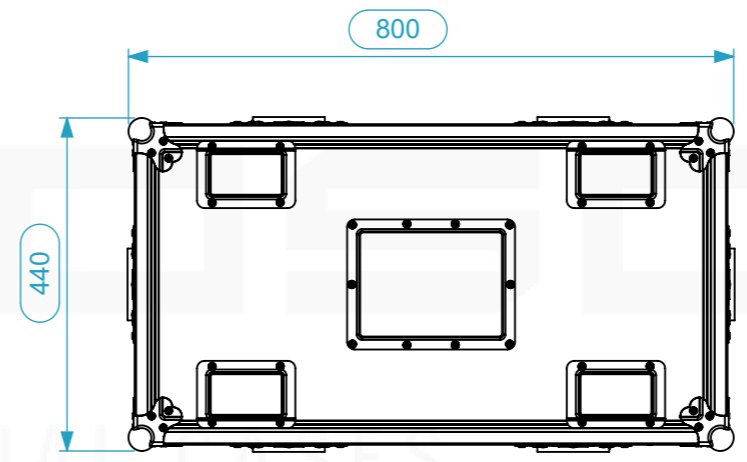
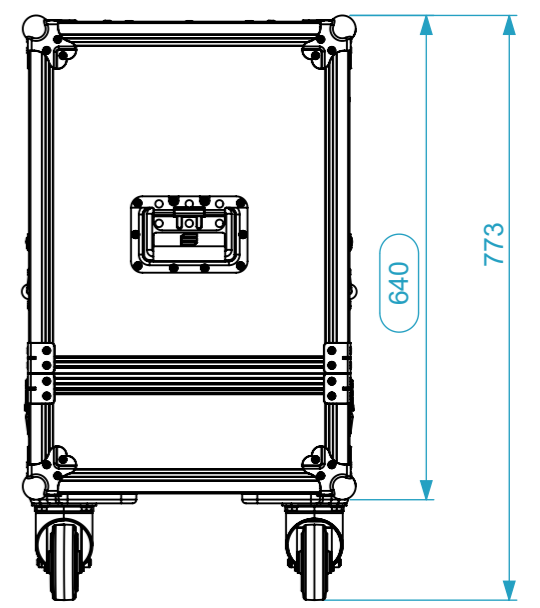
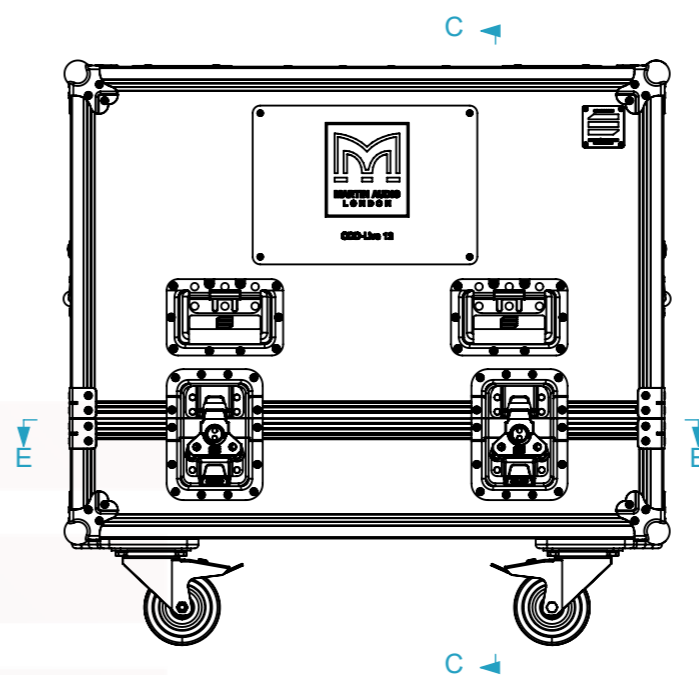
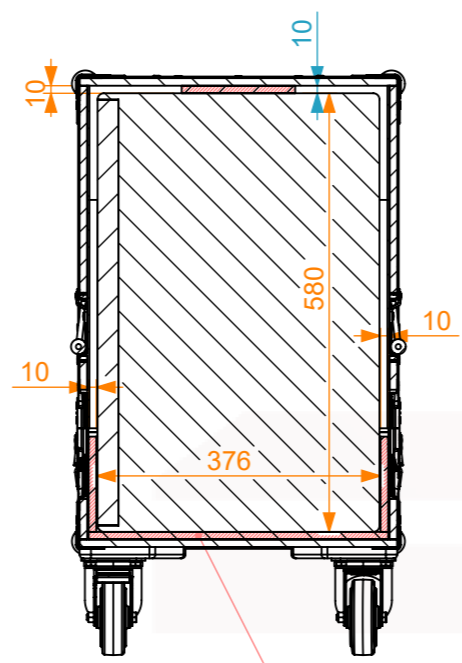


Equipment	Martin Audio CDD-Live 12	
Width	Depth	Height
359	373	580
Internal Dimensions		
Width	Depth	Height
358	376	580
Weight	Approx. 27.52 Kg	
Wall Thickness	10mm	



WEIGHT.: 28 kg



General External Dimensions	
W	Width
D	Depth
H	Height
Usable Inner Dimensions	
Wi	Inside Width
Di	Inside Depth
Hi	Inside Height

Name	CarlaSilva	
Date	13/07/2020	
Reference	CABINET.311	
Scale	1:10	DO NOT SCALE
units in mm	general tolerance	0.8mm
1st Angle projection	Flight Case PRO 2x Martin Audio CDD-Live 12	



This drawing must not be copied or disclosed without consent of the owner

A3