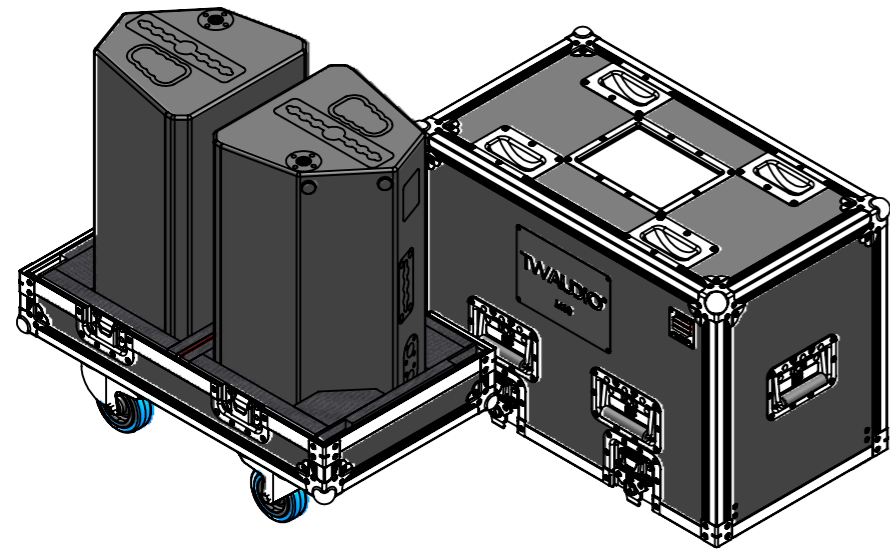
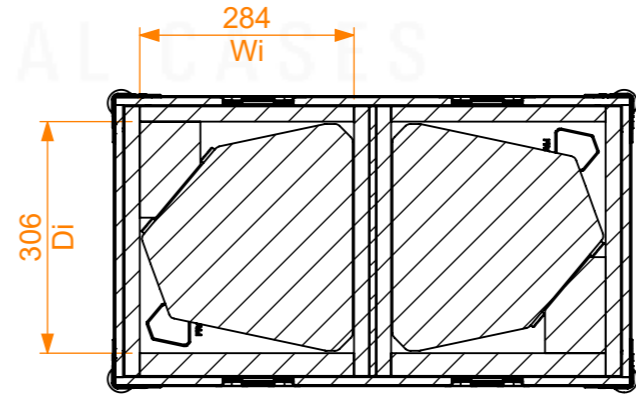
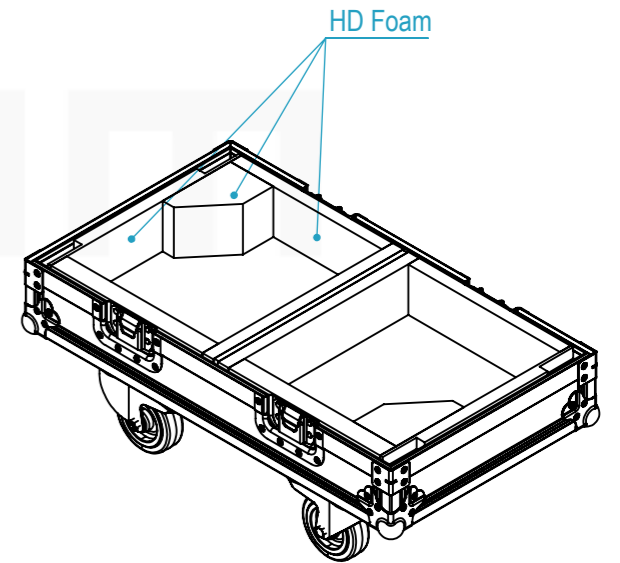
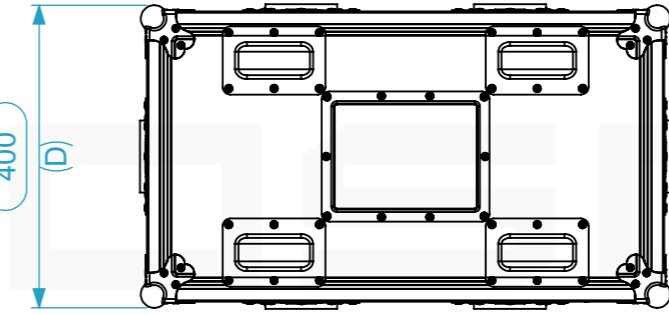
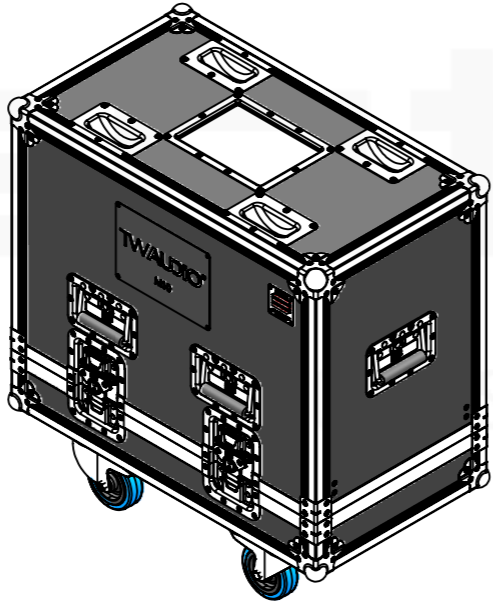
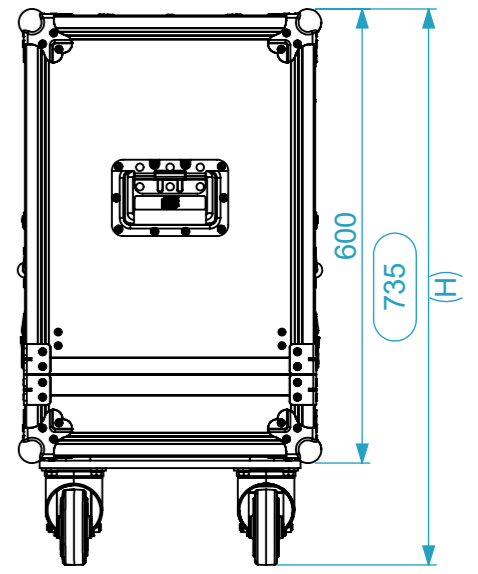
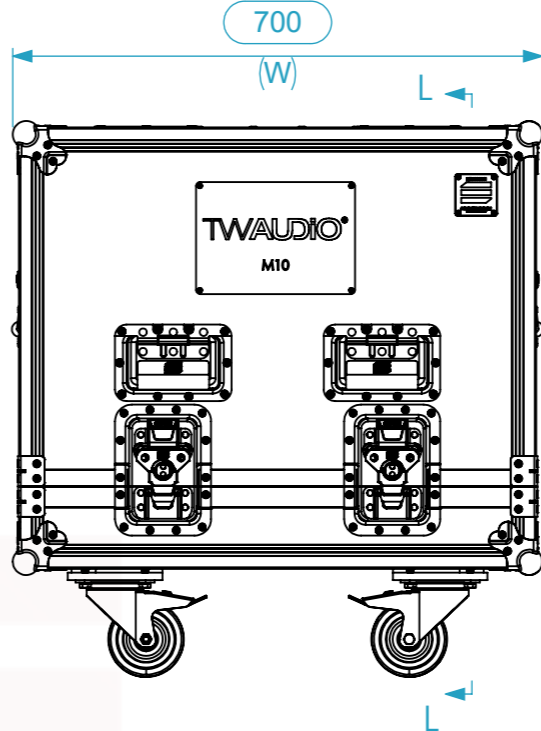
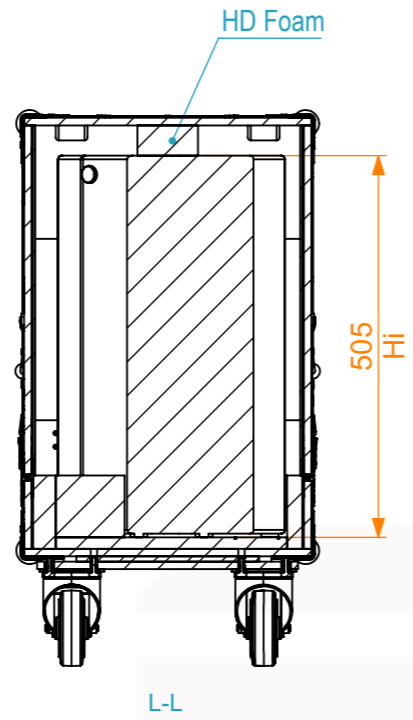
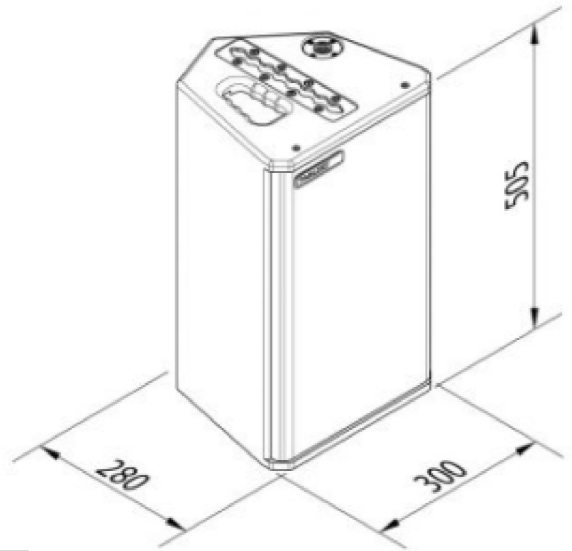


Equipment	TW AUDIO M10	
Width	Depth	Height
300	280	505
Weight	Approx. 15.2 Kg	
Internal Dimensions		
Width	Depth	Height
284	306	505
Weight	Approx. 26.79 Kg	
Wall Thickness	10mm	



General External Dimensions	
W	Width
D	Depth
H	Height
Usable Inner Dimensions	
Wi	Inside Width
Di	Inside Depth
Hi	Inside Height

Name	projects	Date	24/05/2021
Reference	CABINET.308		
Scale	1:10	units in mm	DO NOT SCALE
		general tolerance	0.8mm
	Flight case 2x TW Audio M10		



This drawing must not be copied or disclosed without consent of the owner



A3