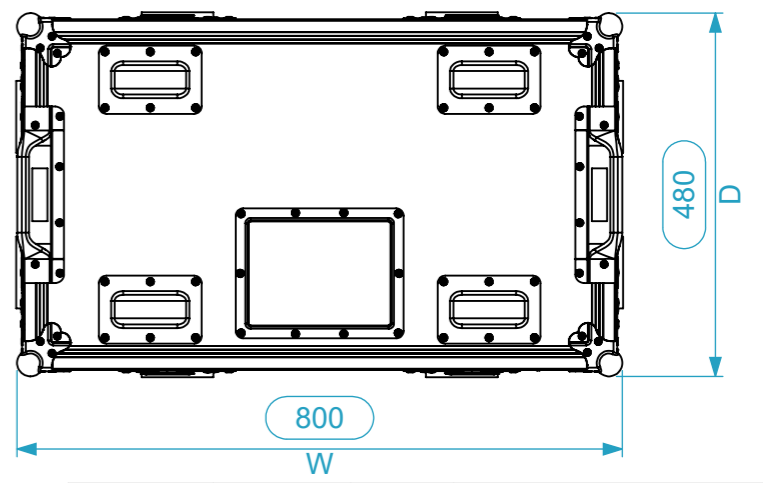
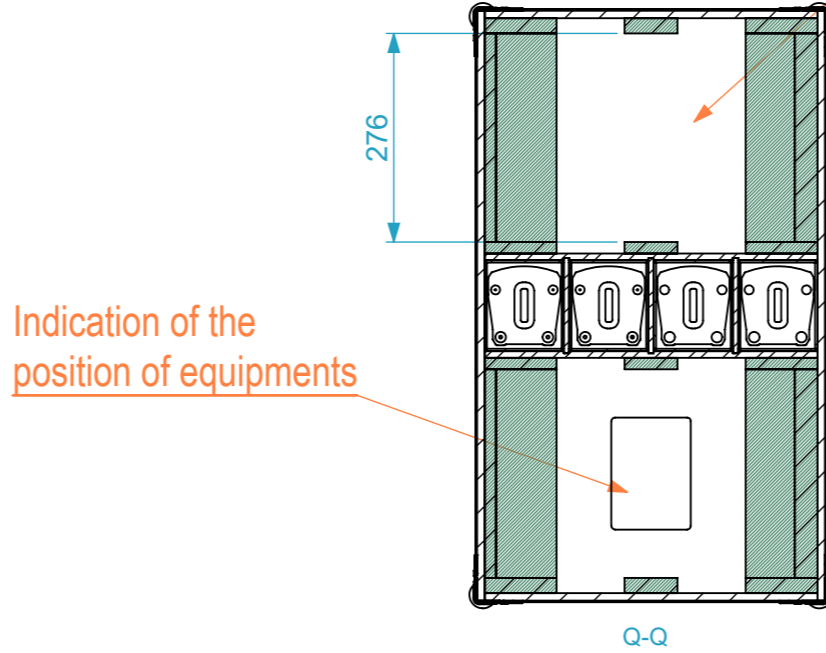
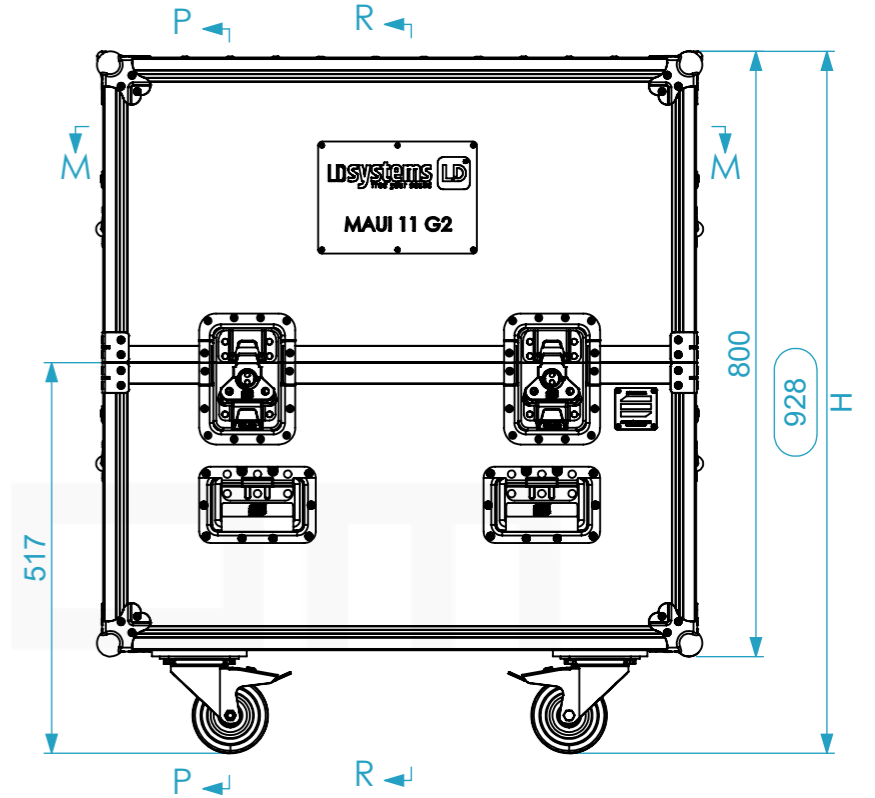
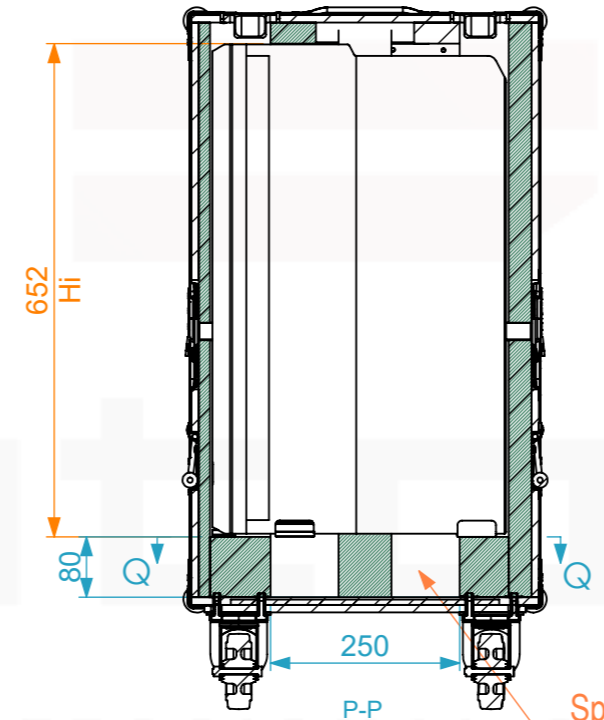
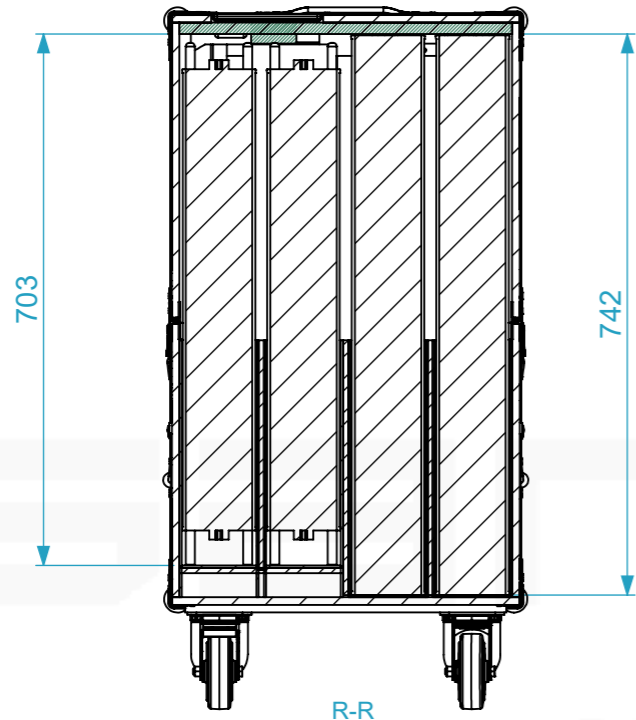
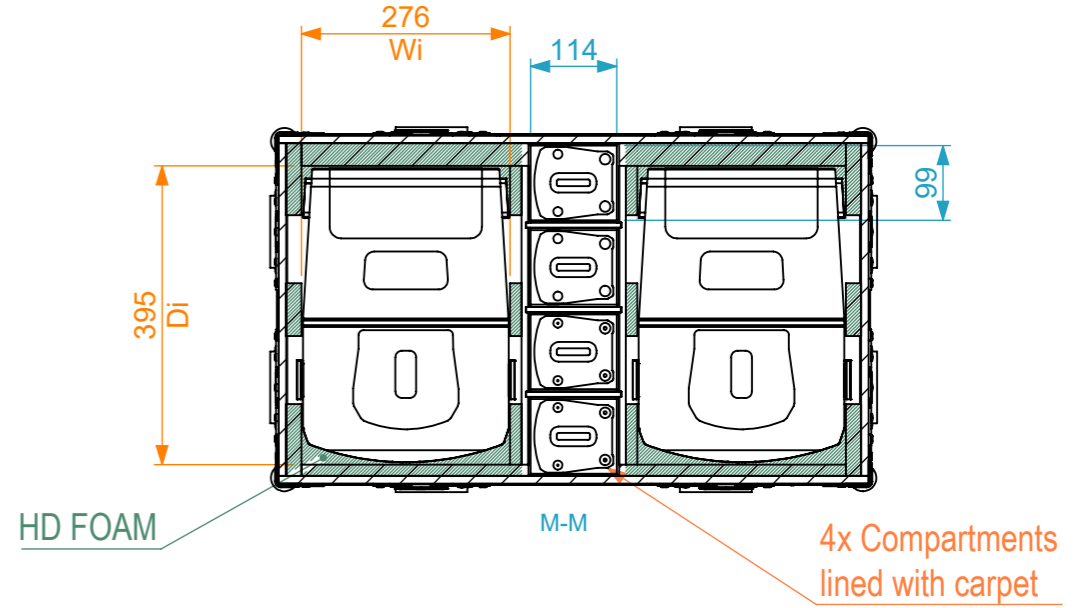


Equipment	LD Systems Maui 11 G2	
Weight	Approx. 24.9 Kg	
Internal Dimensions		
Width	Depth	Height
276	395	652
Weight	Approx. 37.47 Kg	
Wall Thickness	10mm	

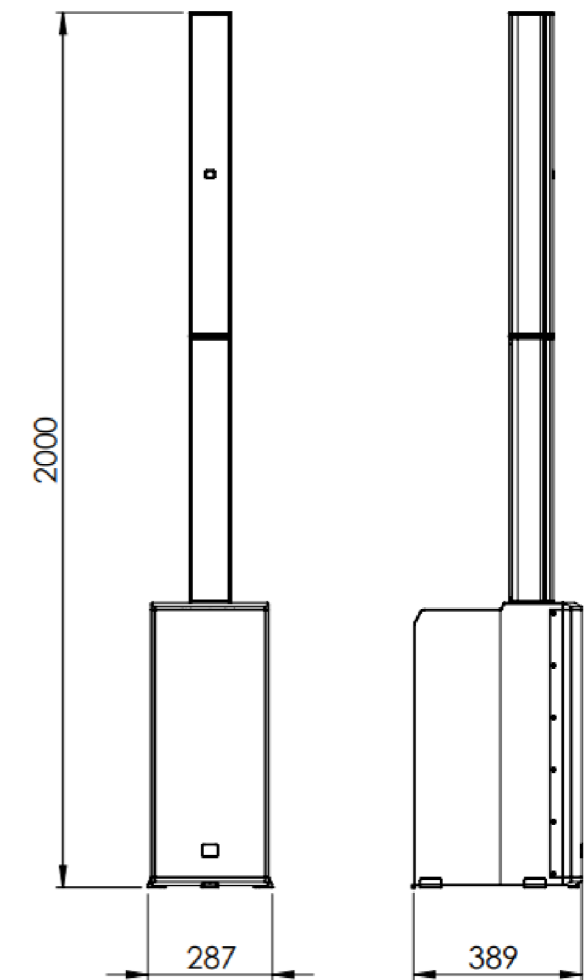
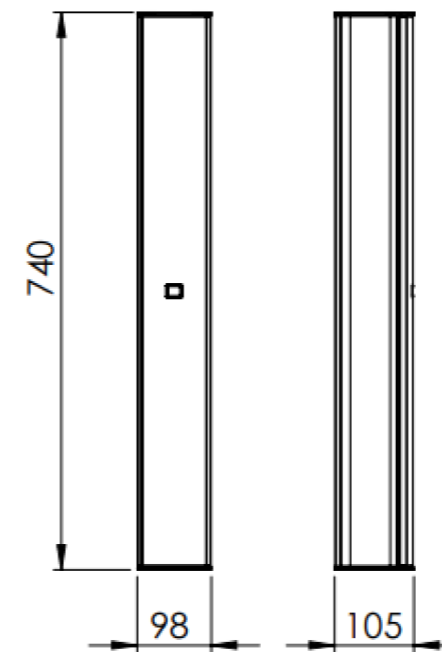
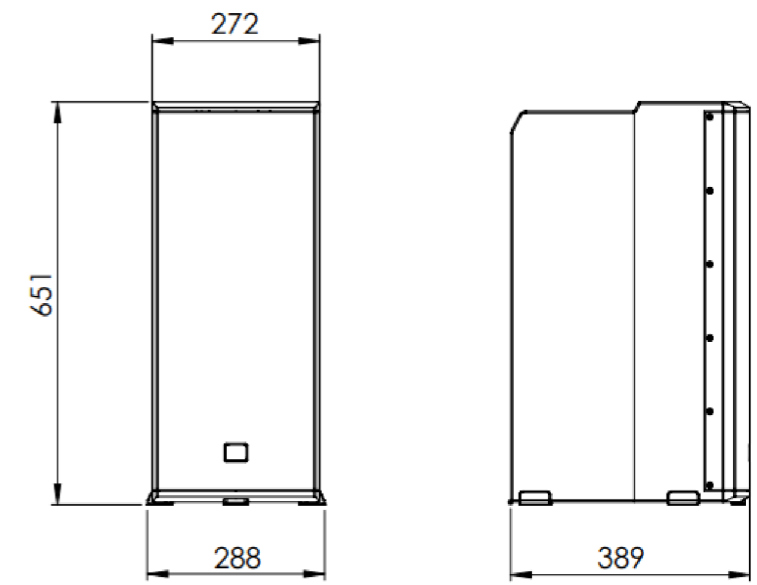
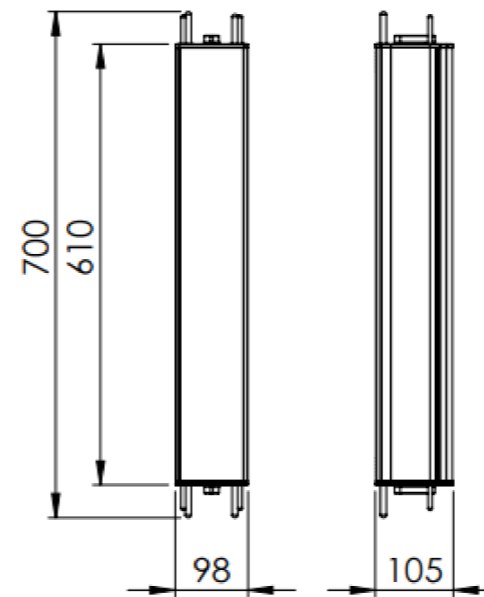
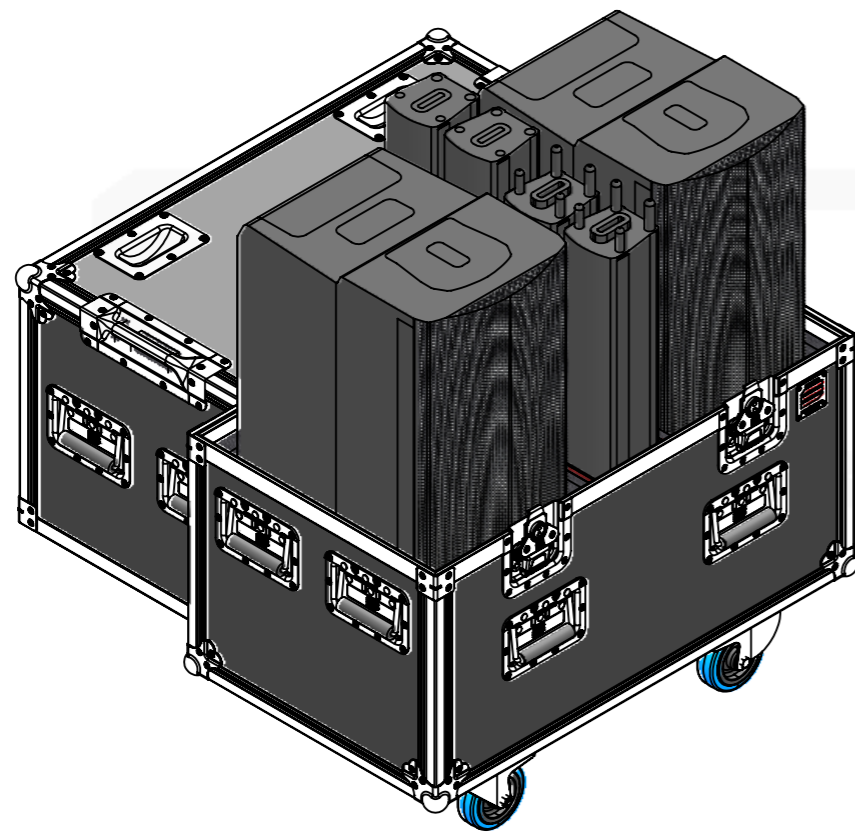


General External Dimensions		Usable Inner Dimensions	
W	Width	Wi	Inside Width
D	Depth	Di	Inside Depth
H	Height	Hi	Inside Height

A3 This drawing must not be copied or disclosed without consent of the owner

Name	projects	Date	21/01/2022
Reference	CABINET.288		
Scale	1:10	units in mm	general tolerance 0.8mm
1st Angle projection	Flight case PRO 2x LD Systems Maui 11 G2		





	Name	Date
Drawn by	projects	21/01/2022
Reference	CABINET.288	
Scale	units in mm DO NOT SCALE	general tolerance 0.8mm
1st Angle projection	Flight case PRO 2x LD Systems Maui 11 G2	



This drawing must not be copied or disclosed without consent of the owner

A3