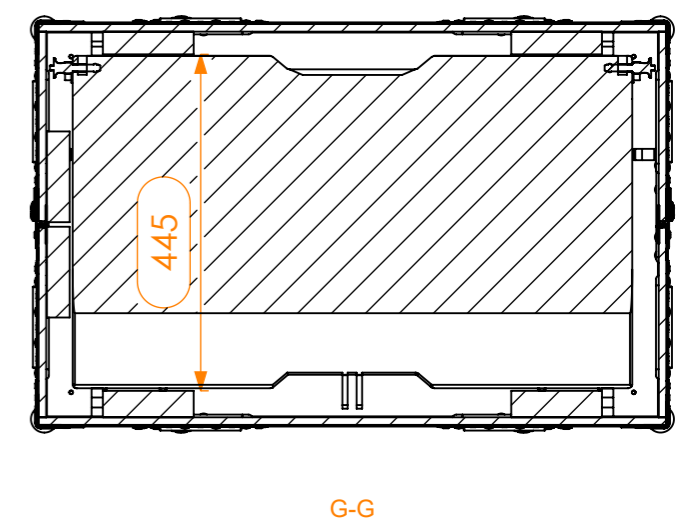
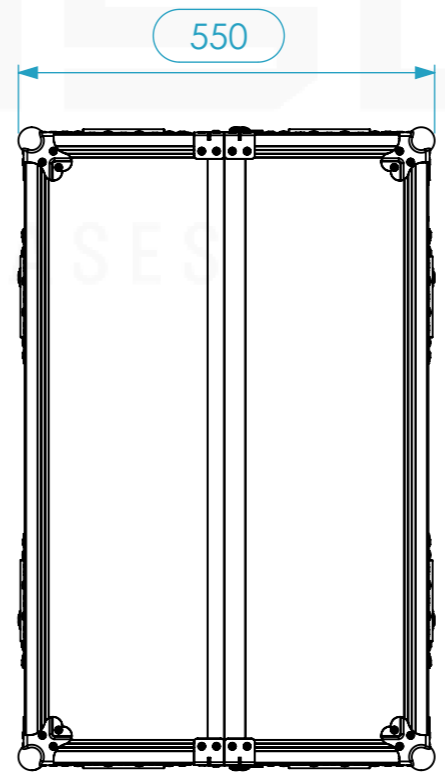
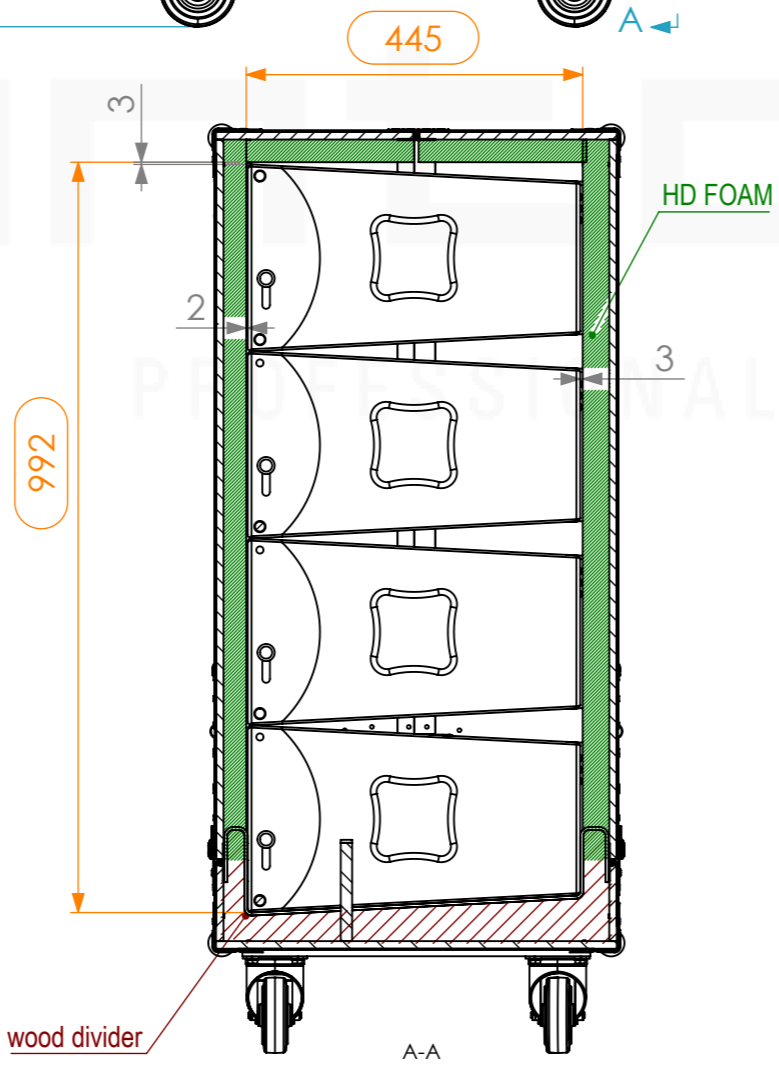
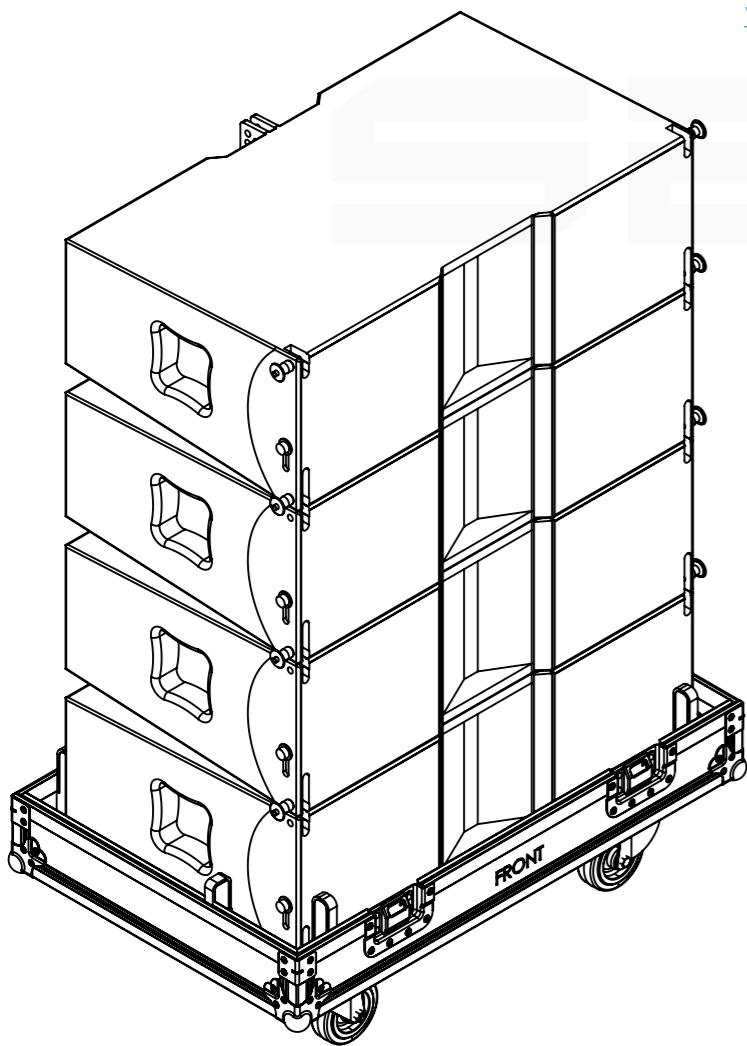
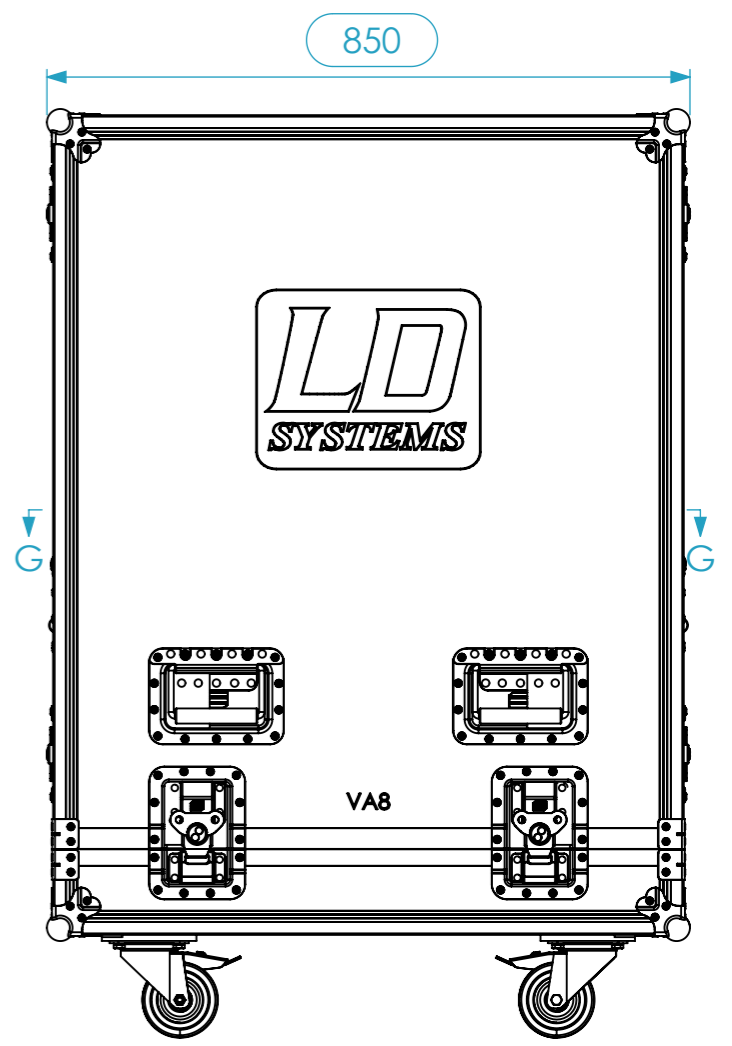
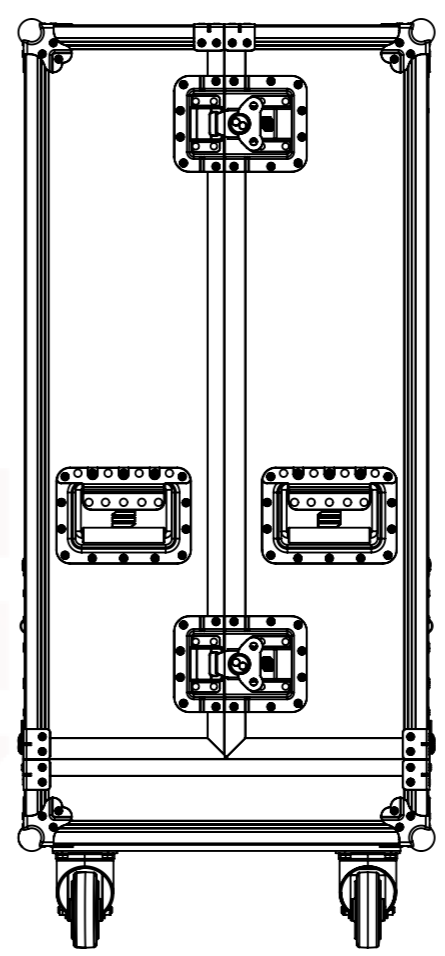
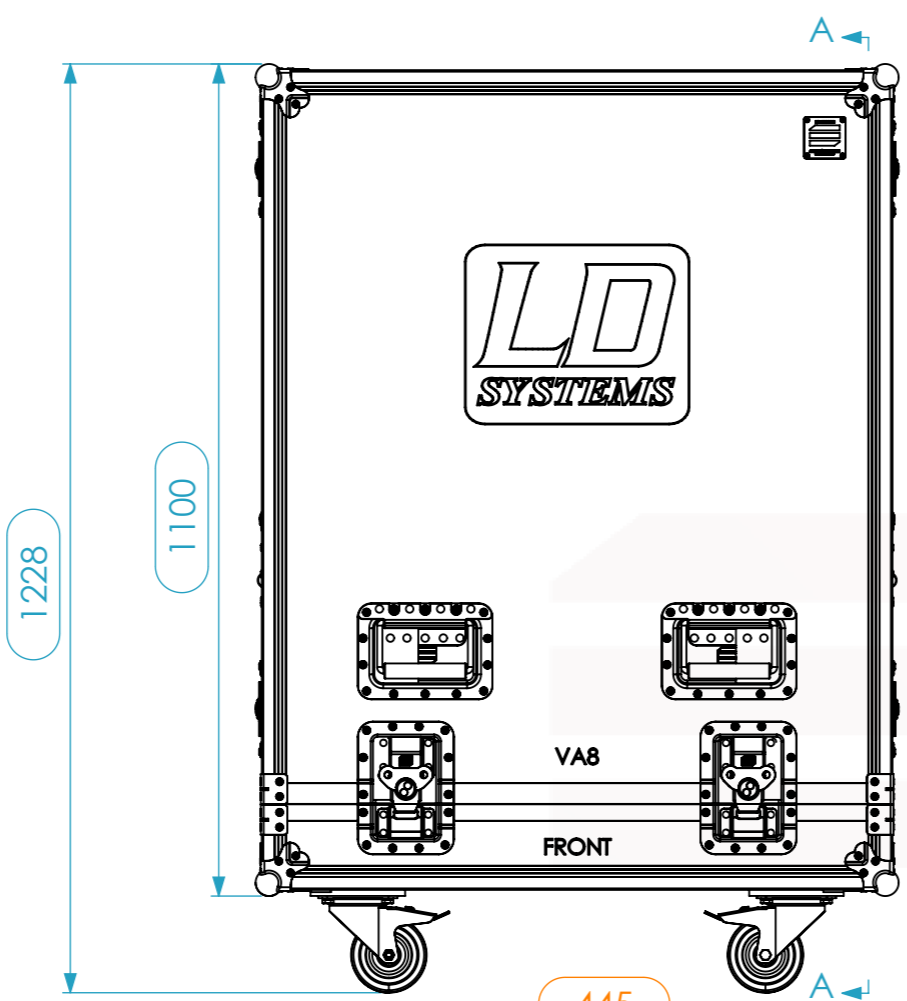


Internal Dimensions

Width	Depth	Height
426	726	1000
Weight	Approx. 46.3 Kg	
Wall Thickness	10mm	



Name	Date
CarlaSilva	26/11/2018
Reference	CABINET.278
Scale	1:10
units in mm	general tolerance 0.8mm
DO NOT SCALE	
1st Angle projection	FLIGHT CASE PRO-3 4X LD SYSTEM VA8



This drawing must not be copied or disclosed without consent of the owner

A3