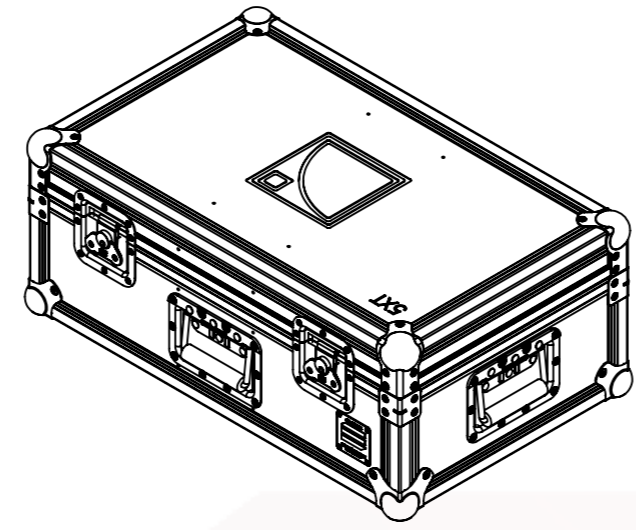
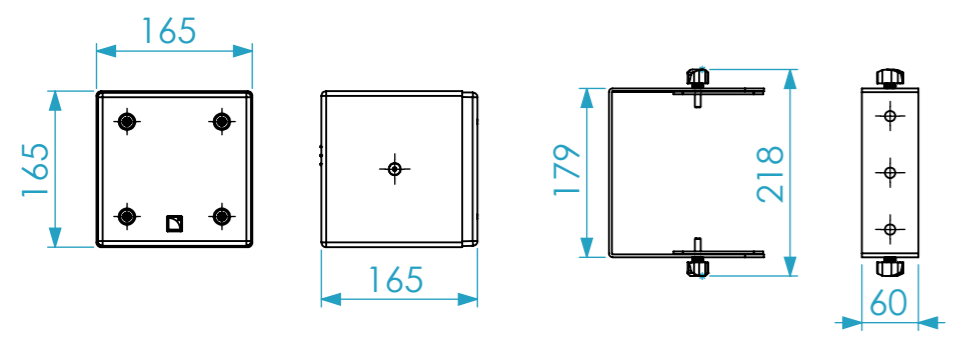


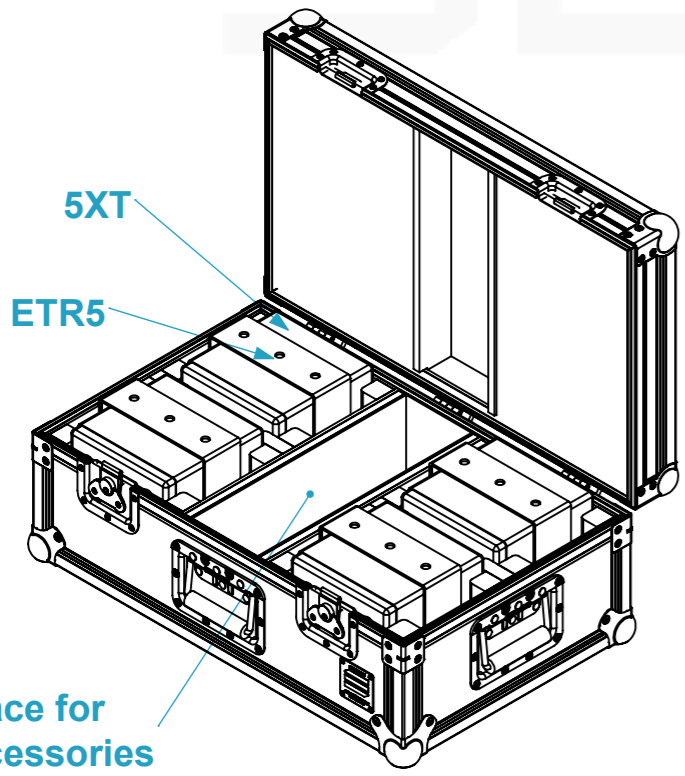
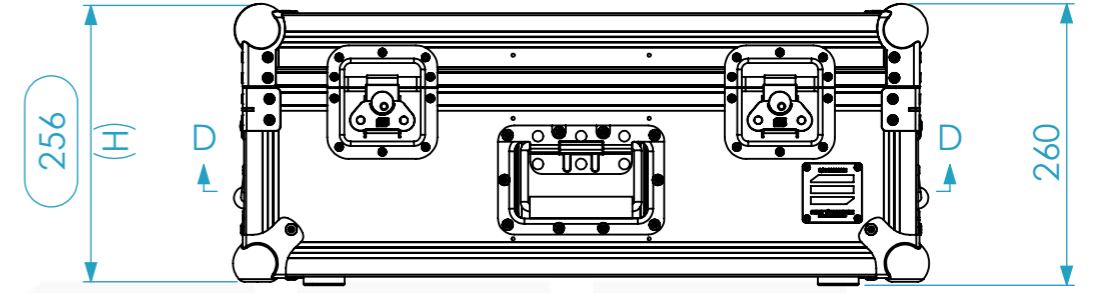
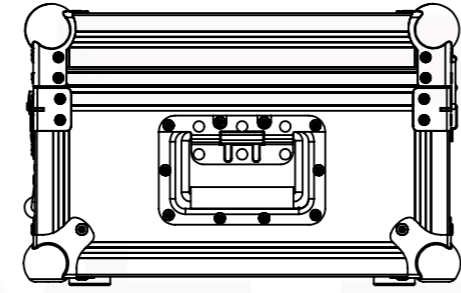
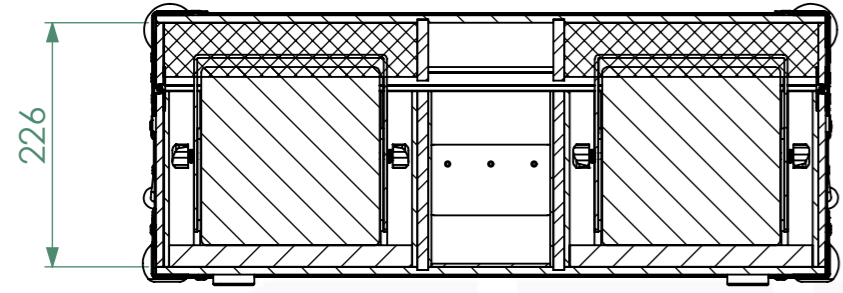
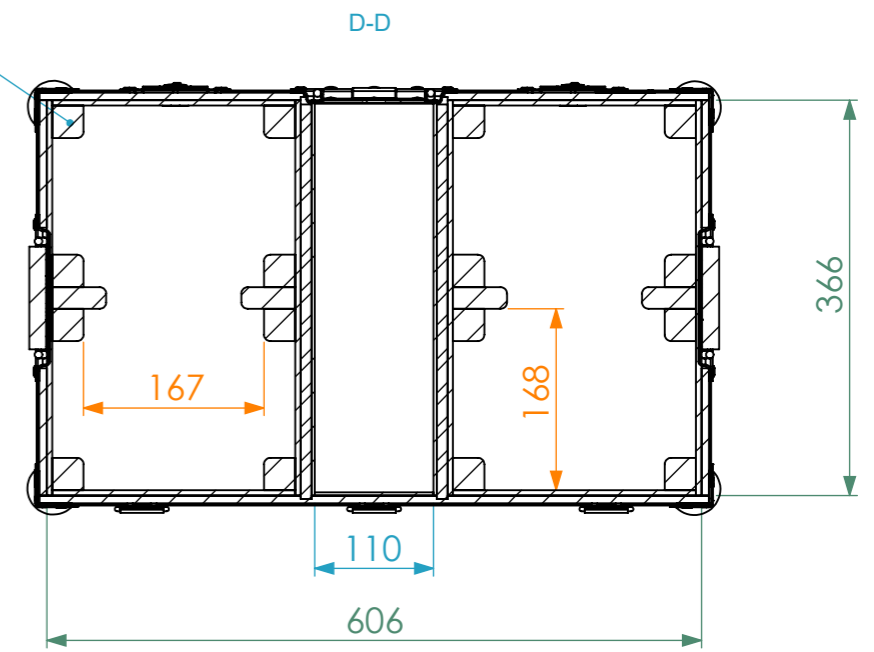
Internal Dimensions		
Width	Depth	Height
603	110	156
Weight	Approx. 10 Kg	
Wall Thickness	7mm	

L-ACOUSTICS 5XT

ETR5

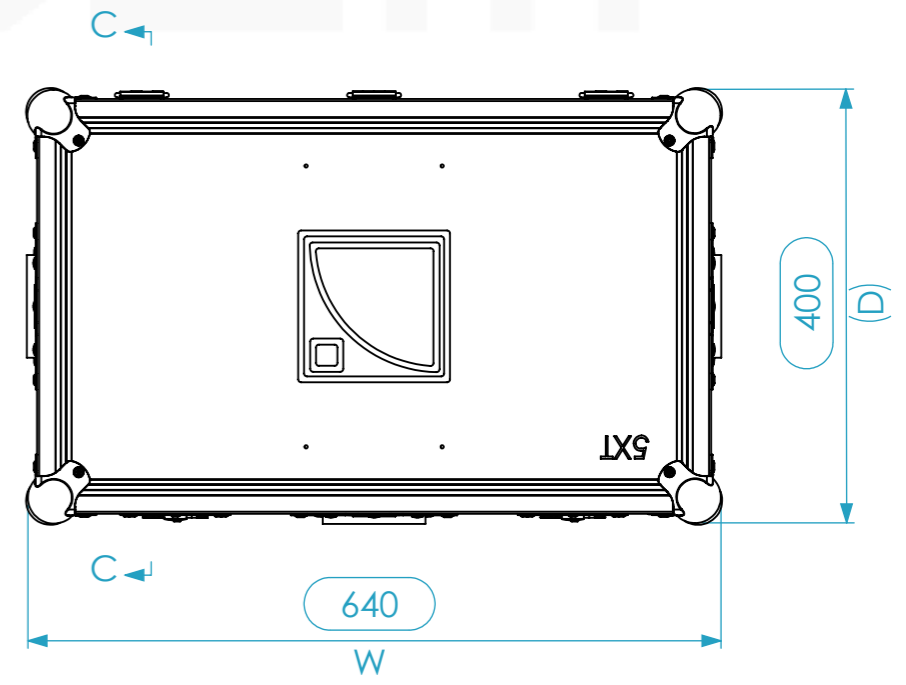
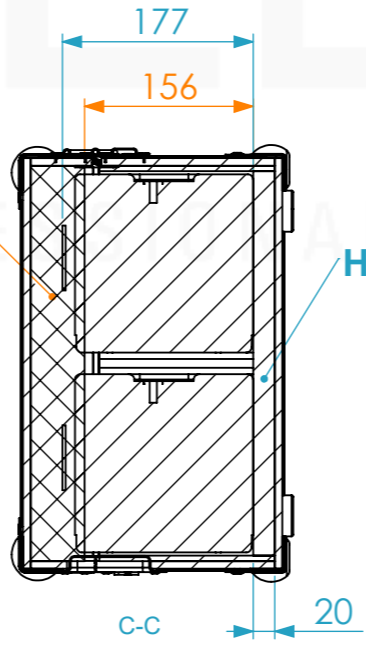


HD Foam



Pressing Eggbox Foam 50mm thick

HD Foam



Space for Accessories

General External Dimensions		Usable Inner Dimensions (UID)		Wood Inner Dimensions (WID)	
W	Width	Wi	Inside Width	WWi	Wood Inside Width
D	Depth	Di	Inside Depth	WDi	Wood Inside Depth
H	Height	Hi	Inside Height	WHi	Wood Inside Height

Drawn by	Name	Date
jorgepacheco	jorgepacheco	19/04/2018
Reference	CABINET.247	
Scale	units in mm	general tolerance
1:7	DO NOT SCALE	0.8mm
1st Angle projection	FC, 4X L-ACOUSTICS 5XT + ACCESS.	



This drawing must not be copied or disclosed without consent of the owner

A3