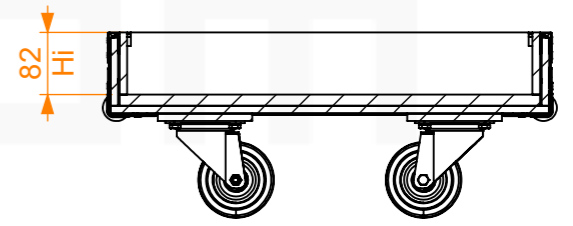
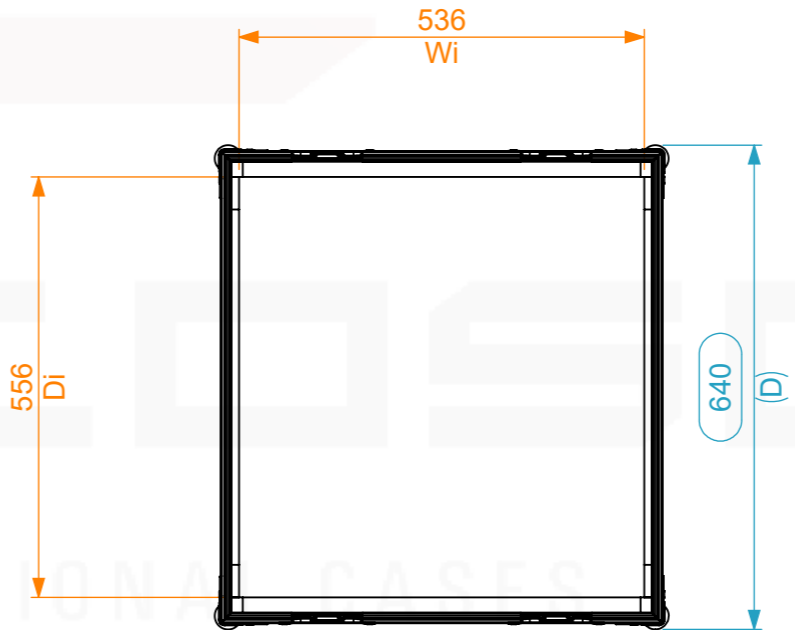
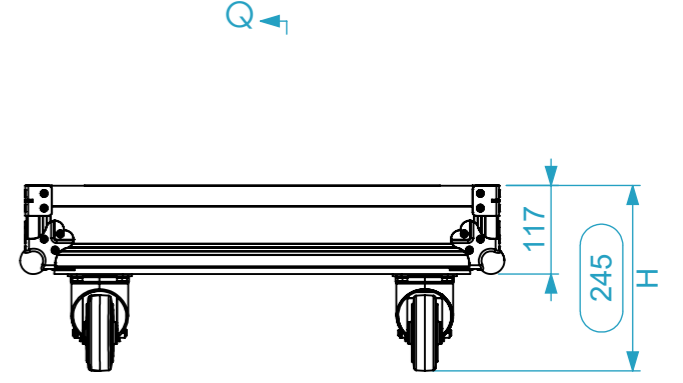
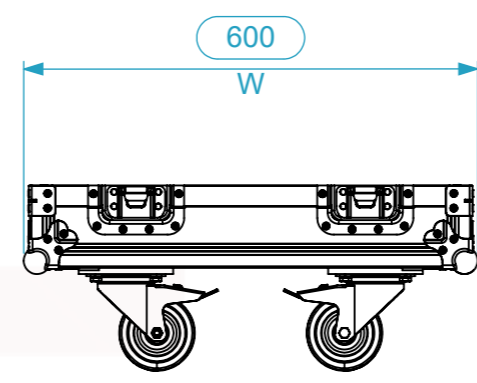
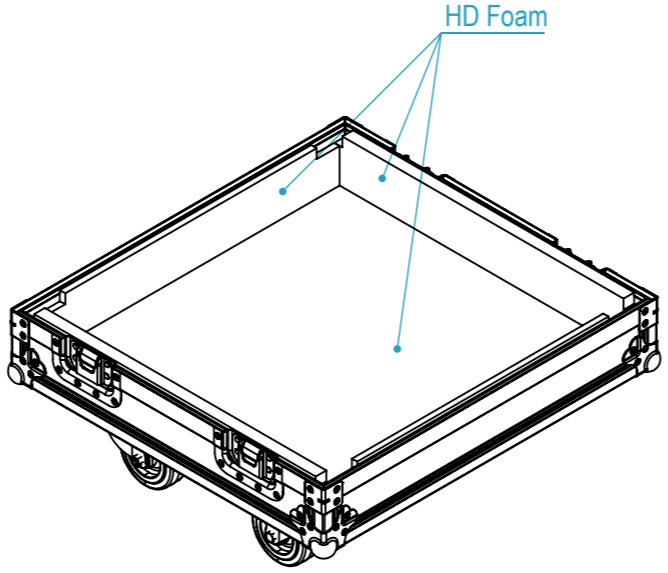
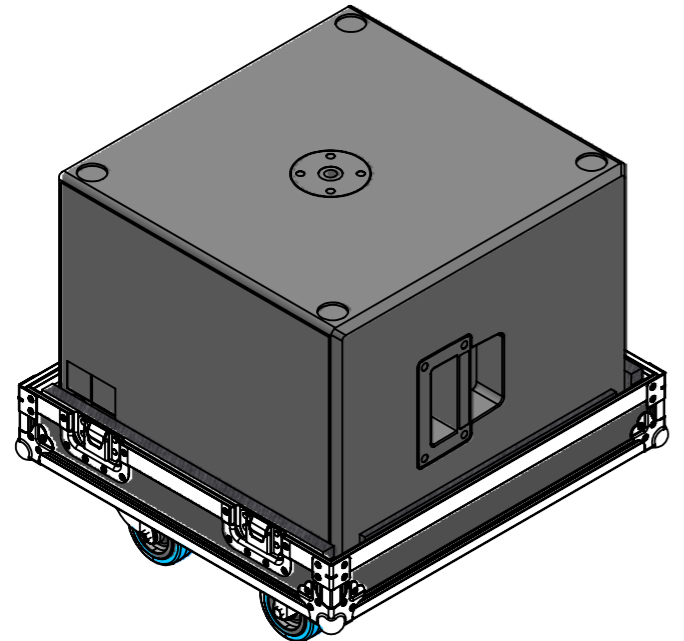
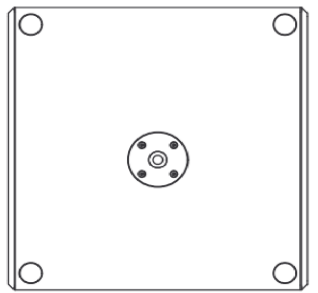
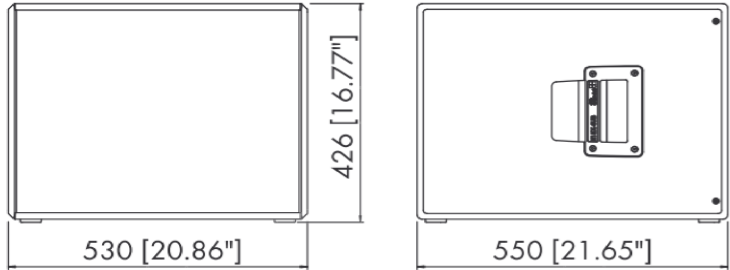


Equipment	D&B E15X SUB	
Width	Depth	Height
530	550	426
Weight	Approx.24 Kg	
Internal Dimensions		
Width	Depth	Height
686	556	557
Weight	Approx. 11.45 Kg	
Wall Thickness		10mm



General External Dimensions	
W	Width
D	Depth
H	Height
Usable Inner Dimensions	
Wi	Inside Width
Di	Inside Depth
Hi	Inside Height

Name	projects	Date	21/05/2021
Reference	CABINET.186P1		
Scale	1:10	units in mm	DO NOT SCALE
general tolerance	0.8mm		
1st Angle projection	Flight case PRO BASE D&B E15X SUB		



A3 This drawing must not be copied or disclosed without consent of the owner