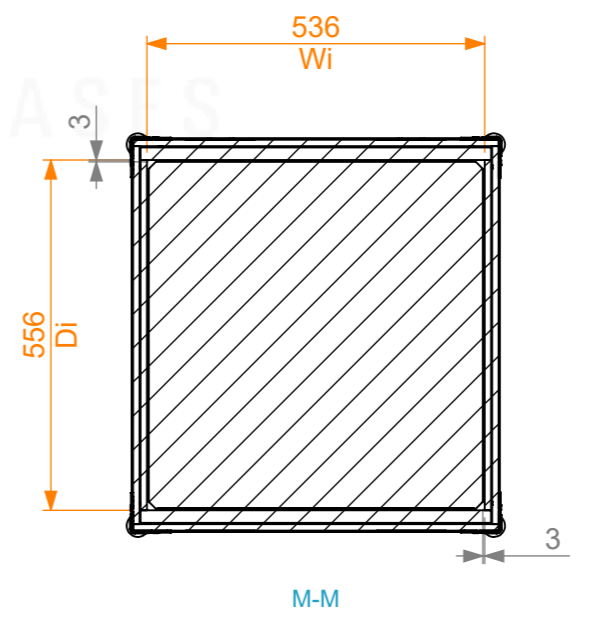
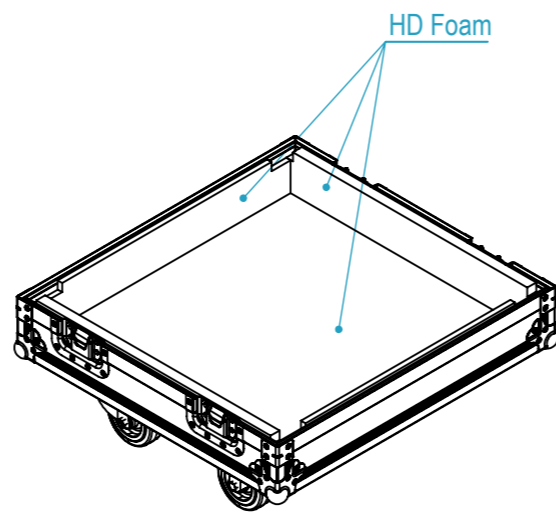
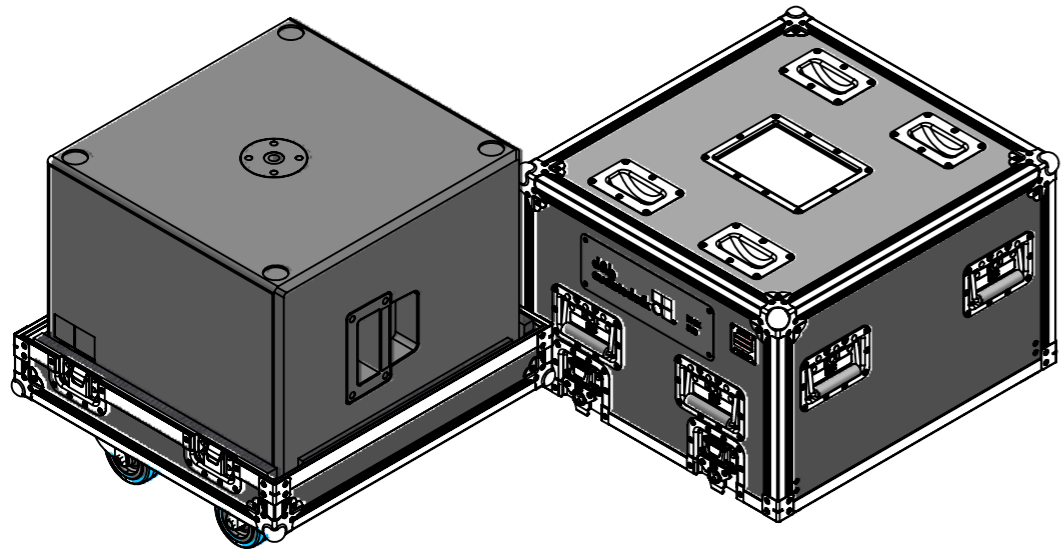
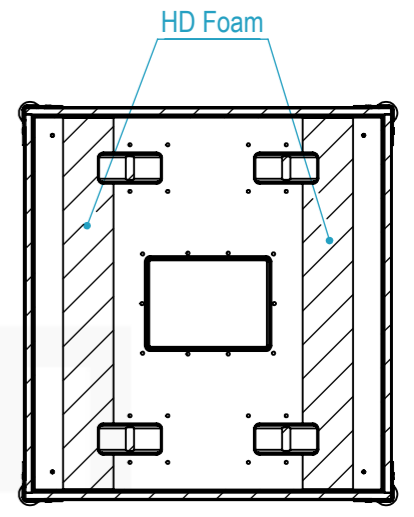
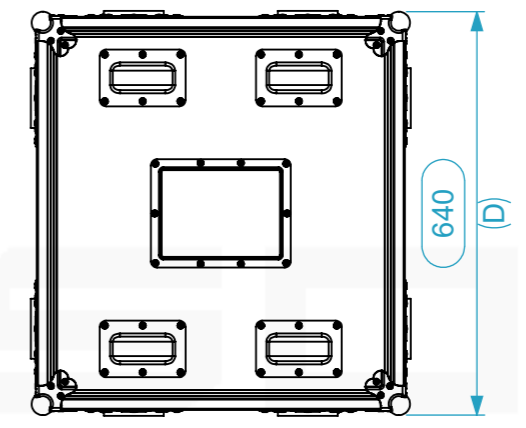
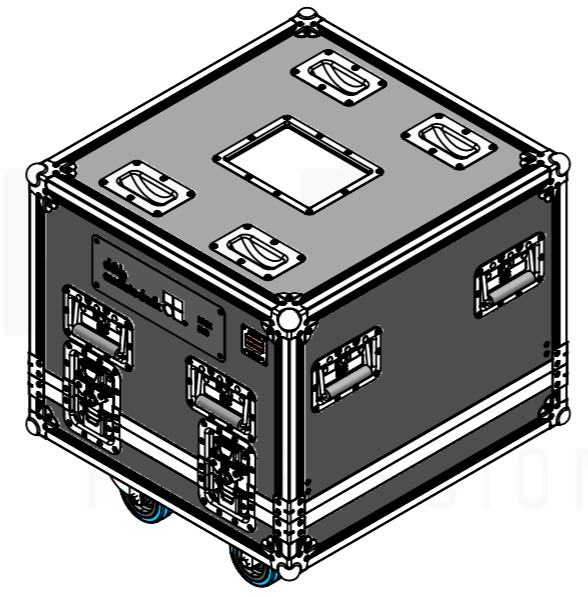
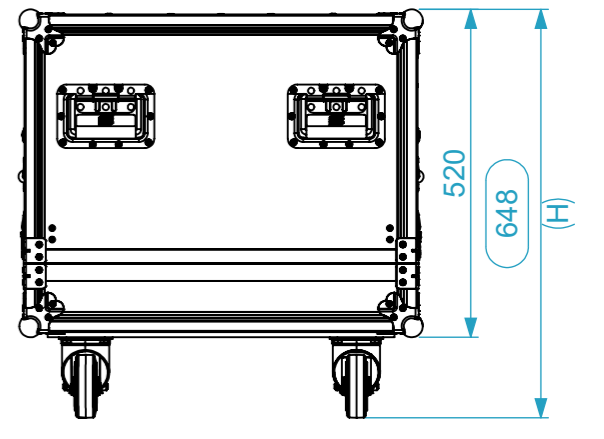
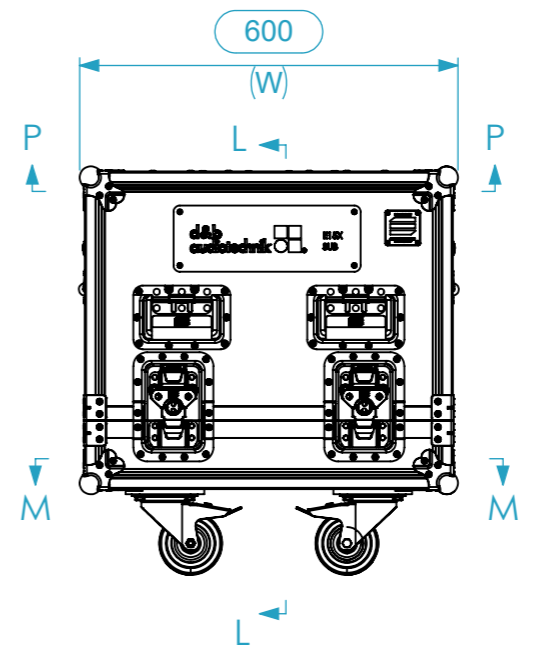
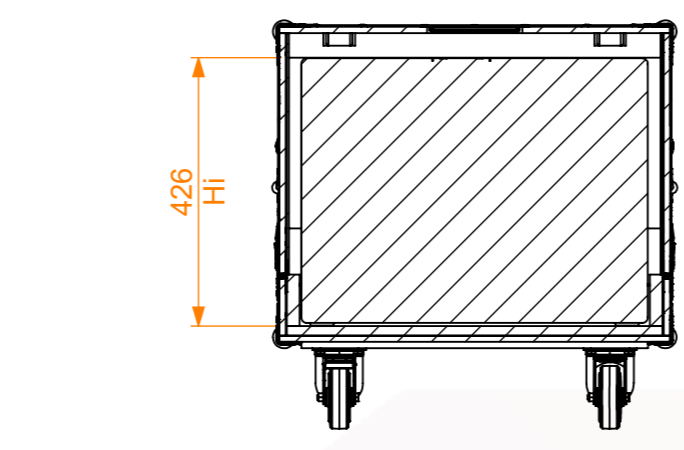
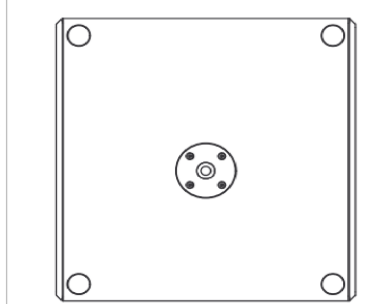
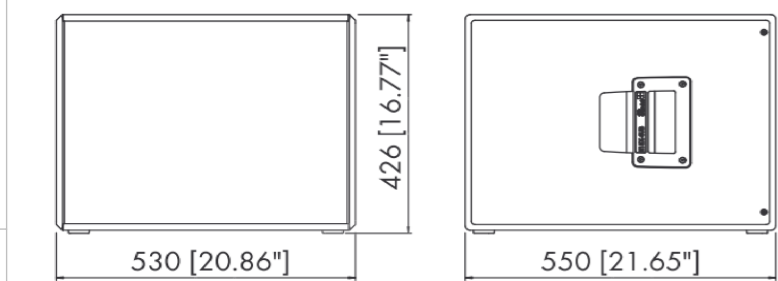


Equipment			D&B E15X SUB		
Width	Depth	Height			
530	550	426			
Weight	Approx.24 Kg				
Internal Dimensions					
Width	Depth	Height			
686	556	557			
Weight	Approx. 28.21 Kg				
Wall Thickness					10mm



General External Dimensions	
W	Width
D	Depth
H	Height
Usable Inner Dimensions	
Wi	Inside Width
Di	Inside Depth
Hi	Inside Height

Name	Date
Drawn by projects	21/05/2021
Reference	CABINET.186
Scale	1:12
units in mm	general tolerance 0.8mm
DO NOT SCALE	
Flight case PRO D&B E15X SUB	



This drawing must not be copied or disclosed without consent of the owner



A3