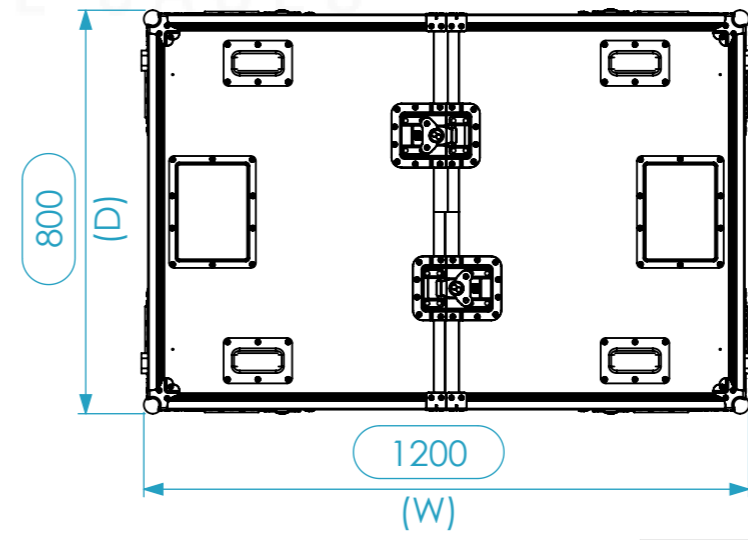
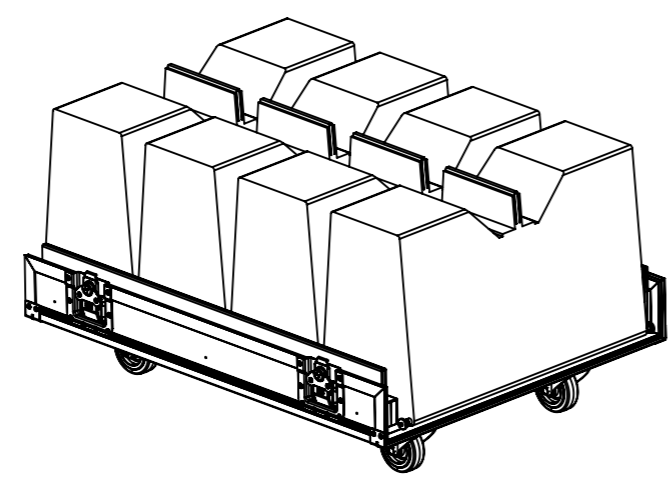
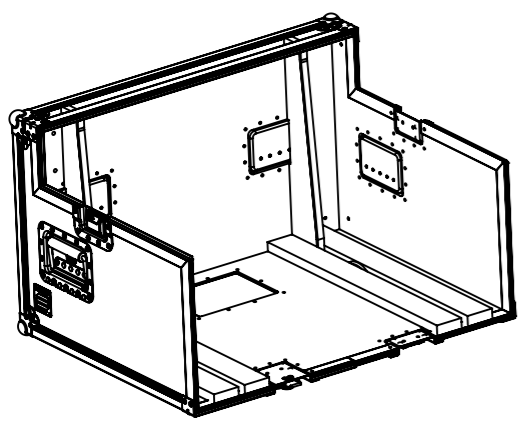
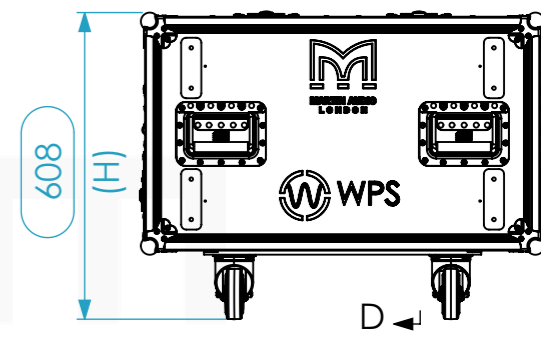
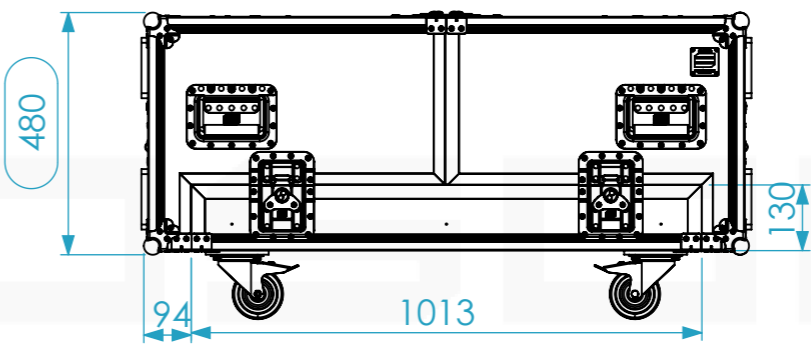
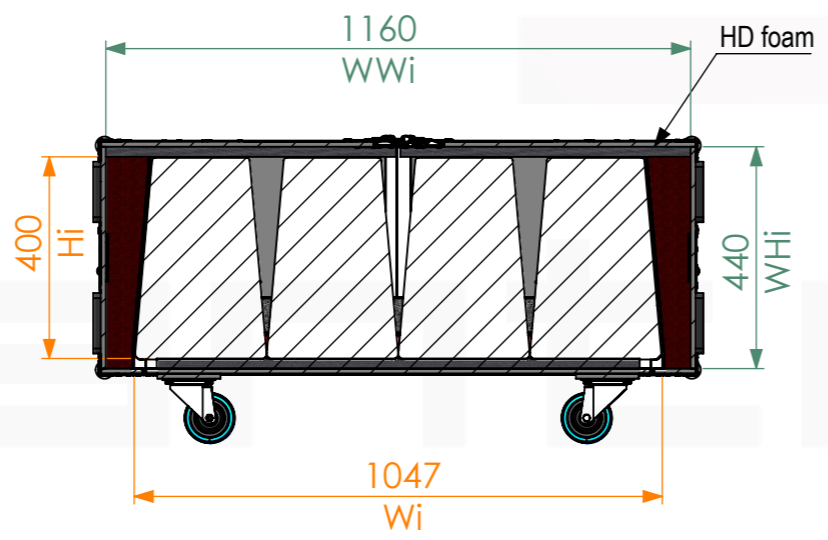
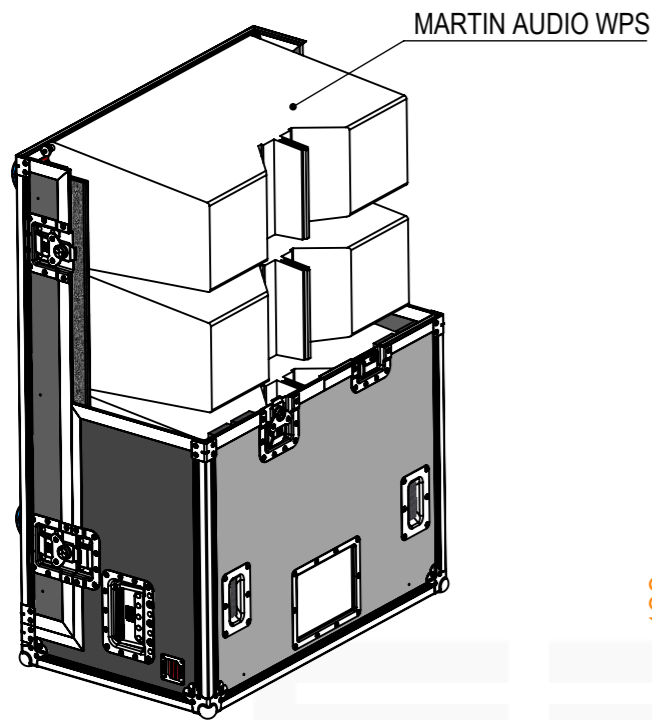
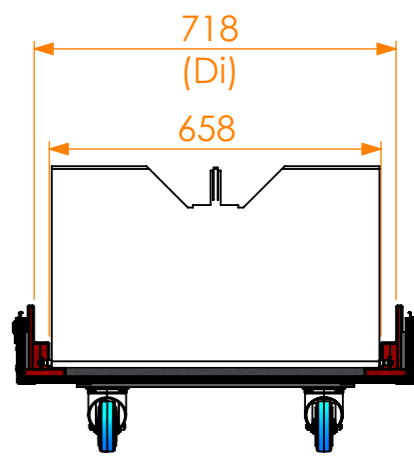
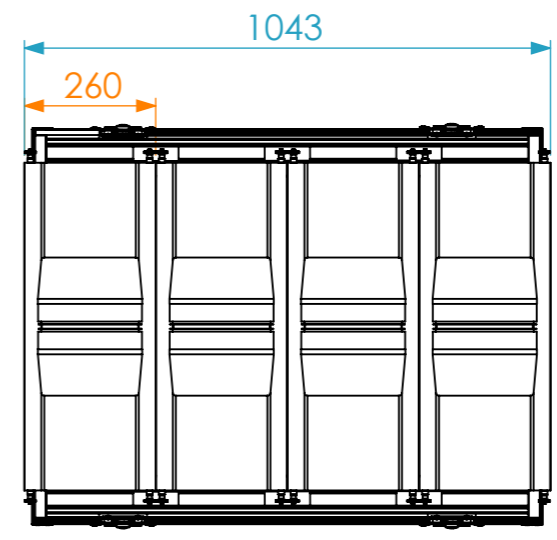
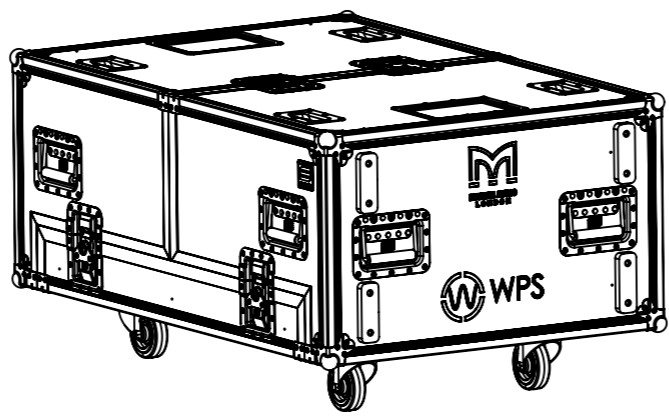


Equipment		Martin Audio WPS	
Width	Depth	Height	
650 (704)	400	261	
Internal Dimensions			
Width	Depth	Height	
1156	756	436	
Weight	Approx. 52 Kg		
Wall Thickness		10mm	



General External Dimensions	
W	Width
D	Depth
H	Height
Usable Inner Dimensions	
Wi	Inside Width
Di	Inside Depth
Hi	Inside Height
Wood Inner Dimensions	
WWi	Wood Inside Width
WDi	Wood Inside Depth
WHi	Wood Inside Height

Name	CarlaSilva	Date	06/07/2020
Reference	CABINET.185		
Scale	1:15	units in mm	general tolerance 0.8mm
FLIGHT CASE PRO 4X MARTIN AUDIO WPS			



This drawing must not be copied or disclosed without consent of the owner



A3