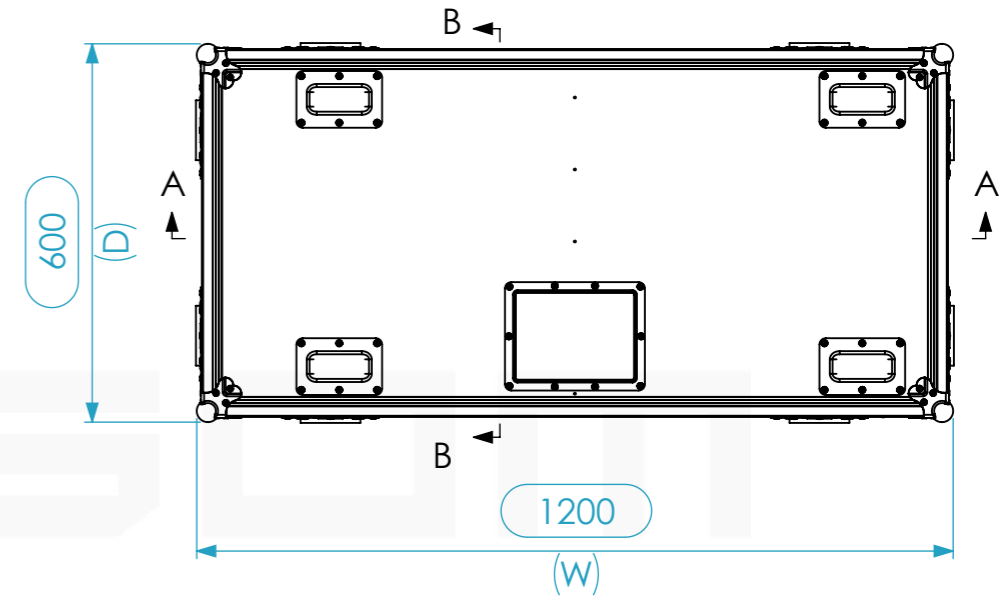
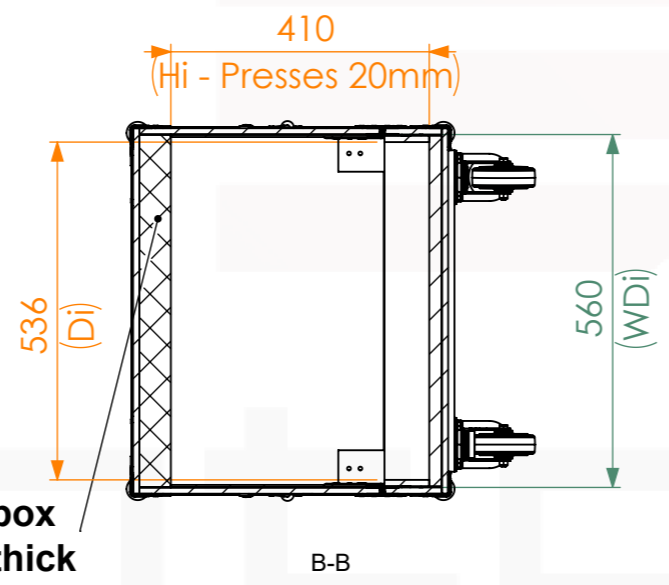
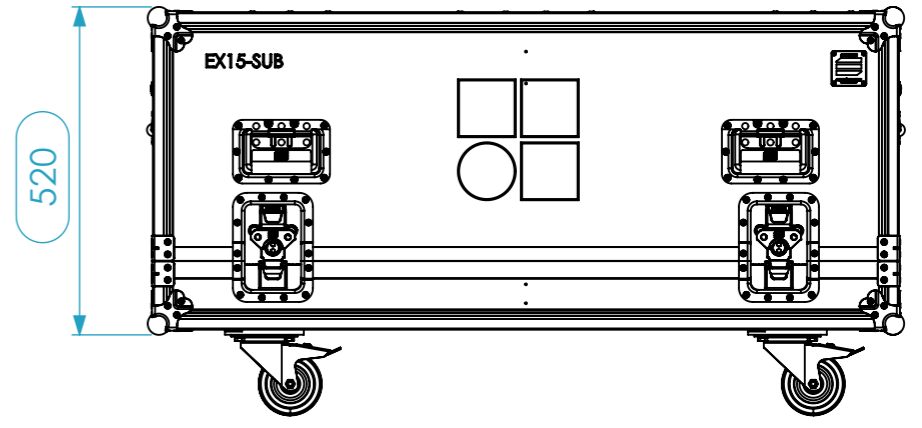
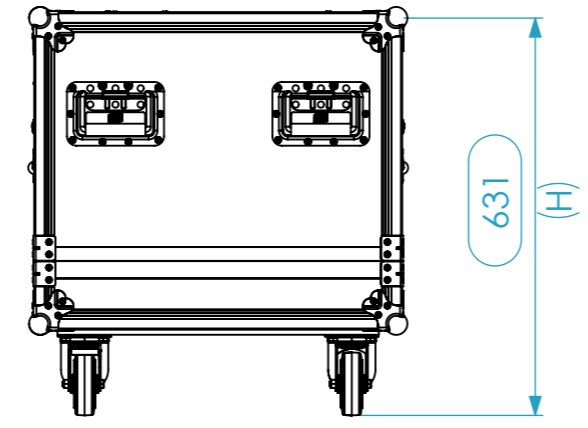
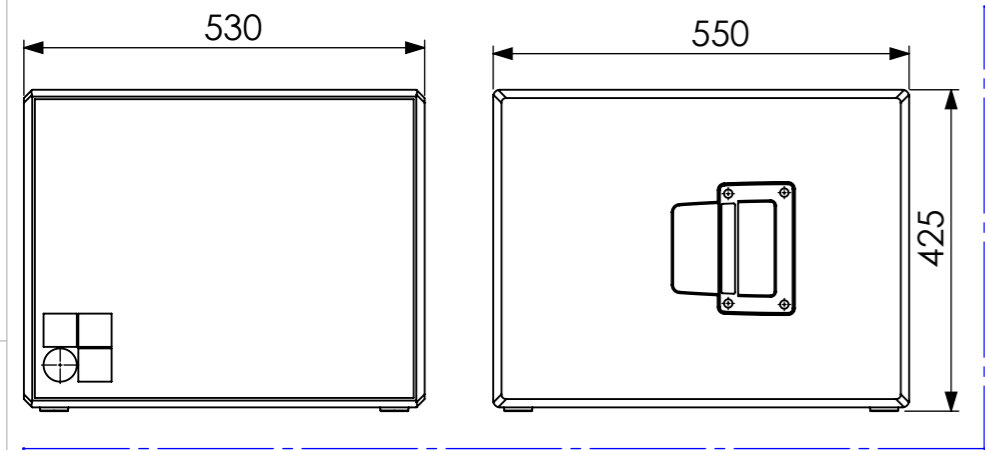
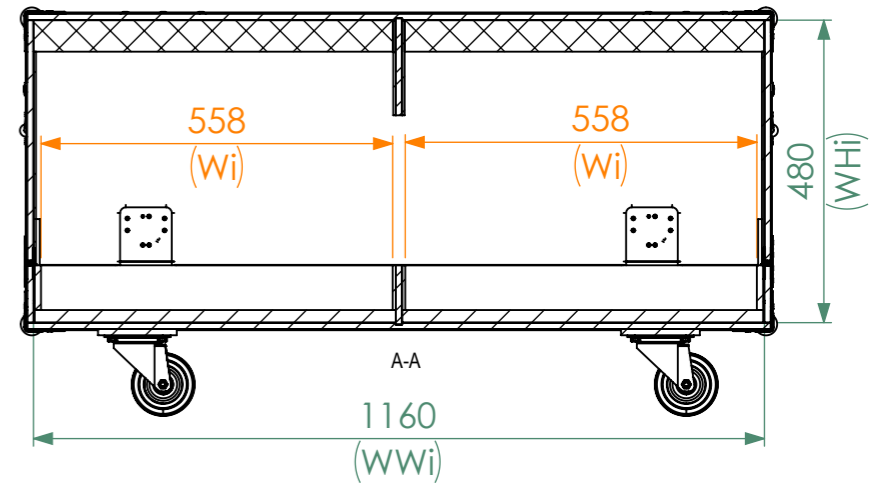
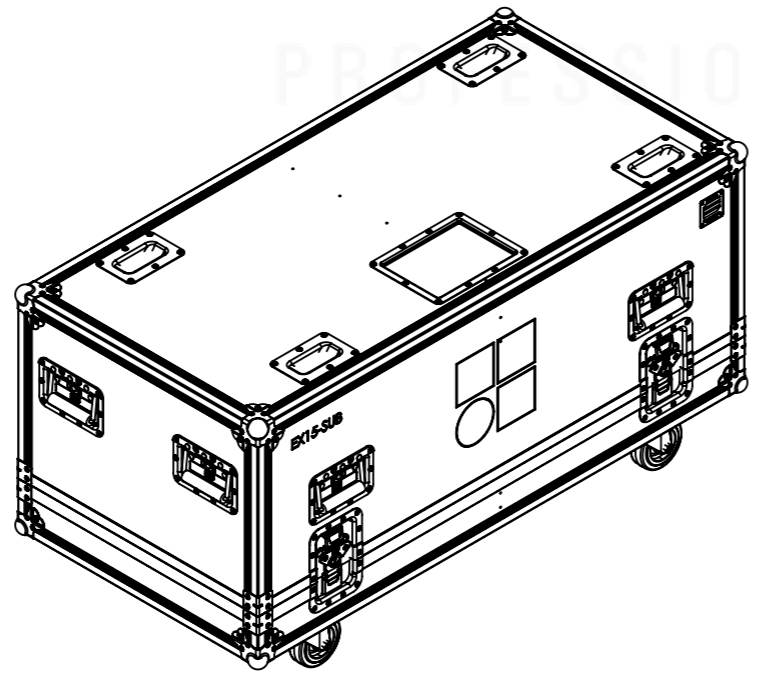
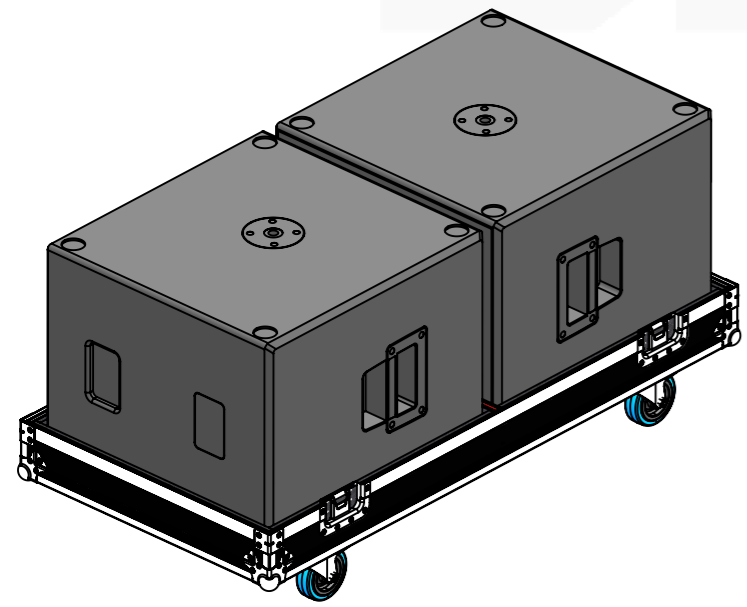


Equipment			E15X - SUB		
Width	Depth	Height			
530	550	425			
Internal Dimensions					
Width	Depth	Height			
1156	556	476			
Weight	Approx. 38 Kg				
Wall Thickness					10mm



Pressing Eggbox  
Foam 50 mm thick



General External Dimensions		Usable Inner Dimensions (UID)		Wood Inner Dimensions (WID)	
W	Width	Wi	Inside Width	WWi	Wood Inside Width
D	Depth	Di	Inside Depth	WDi	Wood Inside Depth
H	Height	Hi	Inside Height	WHi	Wood Inside Height

Drawn by	Name	Date
CatarinaHenriques	CatarinaHenriques	09/01/2019
Reference	CABINET.183	
Scale	units in mm	general tolerance
1:12	DO NOT SCALE	0.8mm
1st Angle projection		
FLIGHT CASE, 2X D&B E15X SUB, WHEELS		



This drawing must not be copied or disclosed without consent of the owner

A3