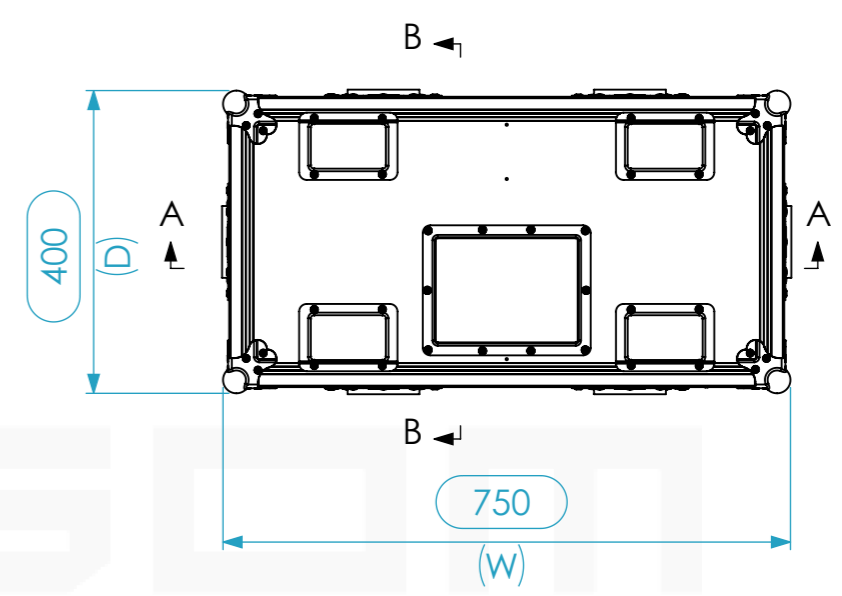
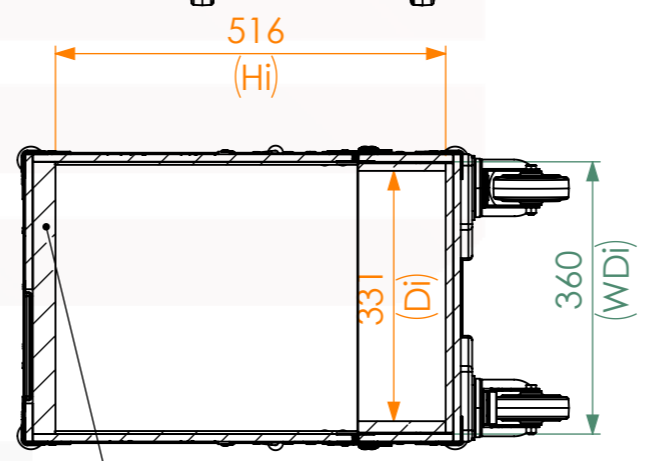
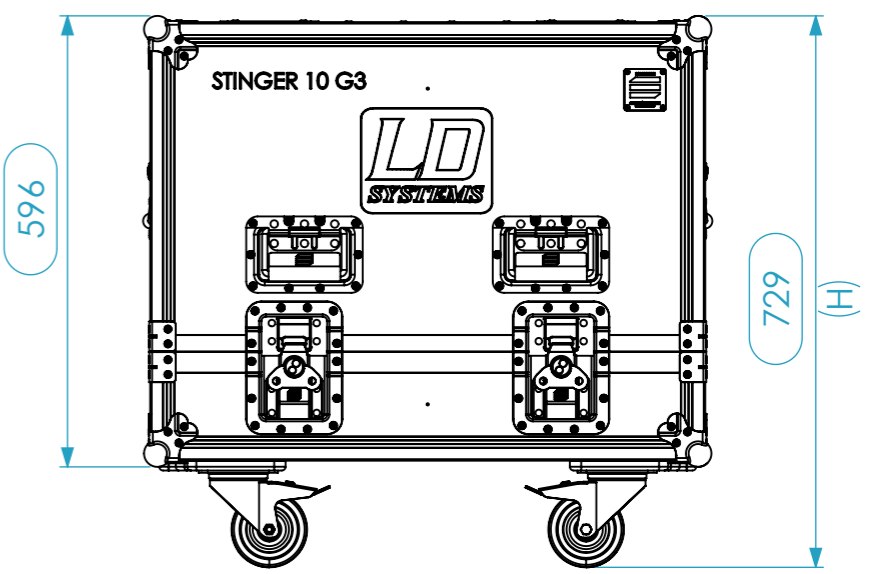
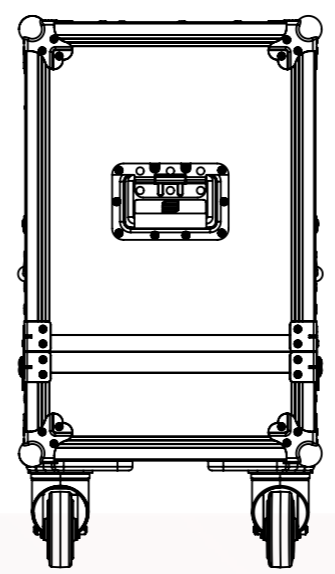
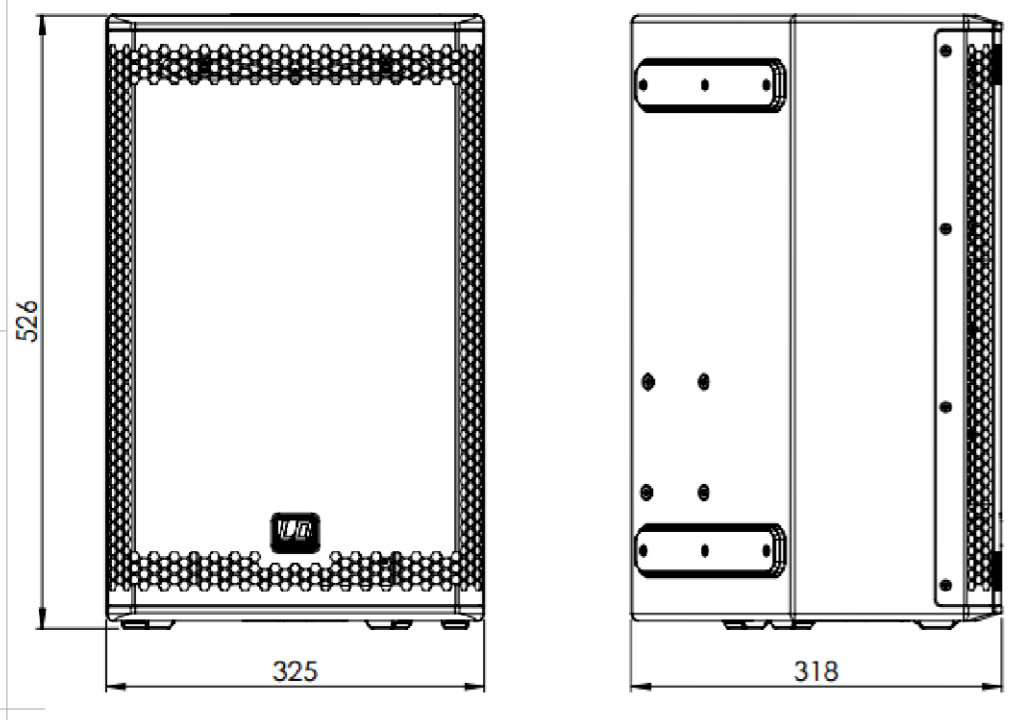
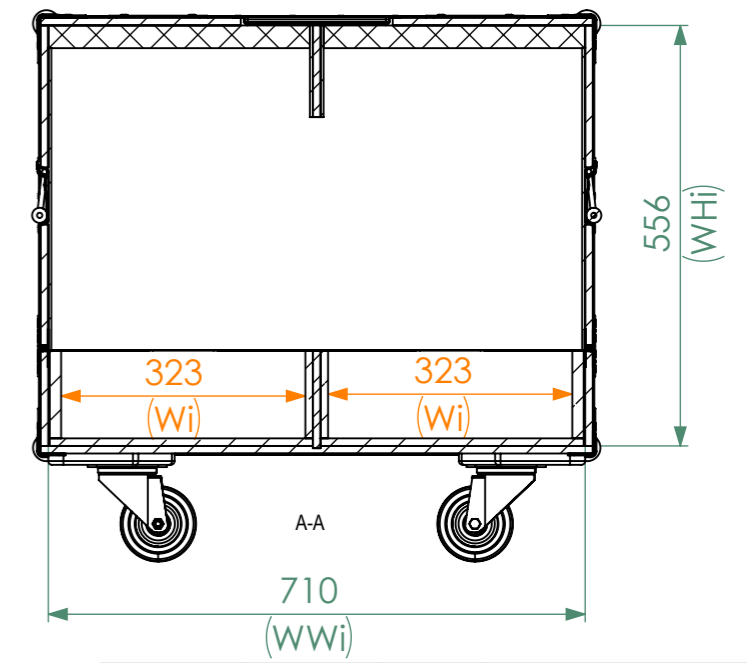
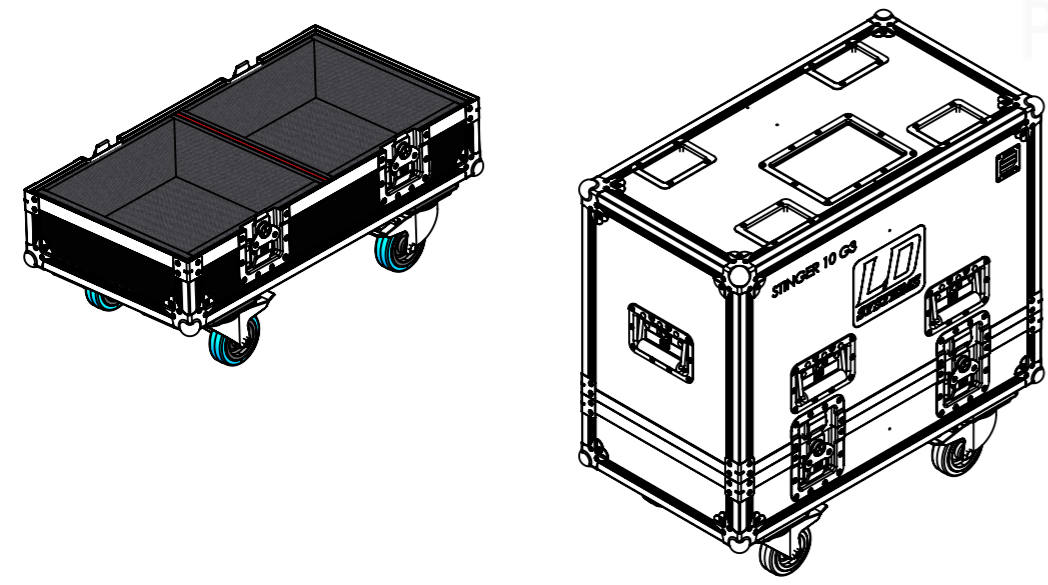


Equipment			STINGER 10 G3		
Width	Depth	Height			
318	325	527			
Internal Dimensions					
Width	Depth	Height			
706	356	556	Approx. 27 Kg		
Wall Thickness			10mm		



Pressing Eggbox  
Foam 30 mm thick



General External Dimensions		Usable Inner Dimensions (UID)		Wood Inner Dimensions (WiD)	
W	Width	Wi	Inside Width	WWi	Wood Inside Width
D	Depth	Di	Inside Depth	WDi	Wood Inside Depth
H	Height	Hi	Inside Height	WHi	Wood Inside Height

Name	Date
Drawn by	CatarinaHenriques 16/07/2018
Reference	CABINET.178
Scale	1:10
units in mm	general tolerance 0.8mm
DO NOT SCALE	
FLIGHT CASE PRO. 2X LD SYSTEMS STINGER 10 G3	



This drawing must not be copied or disclosed without consent of the owner



A3