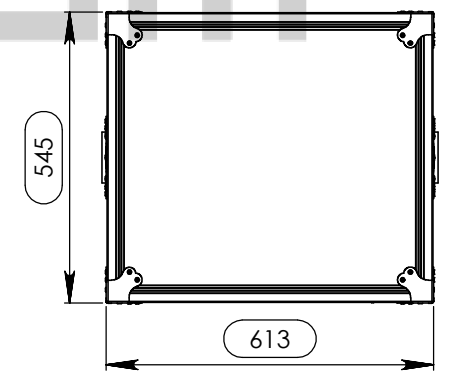
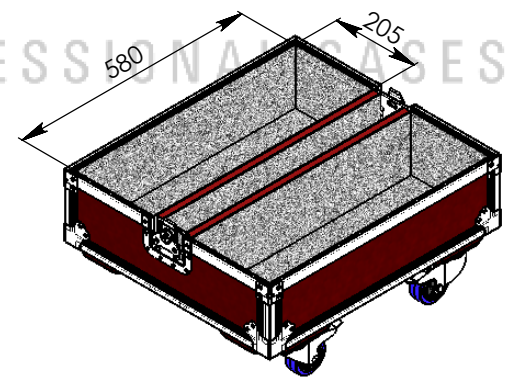
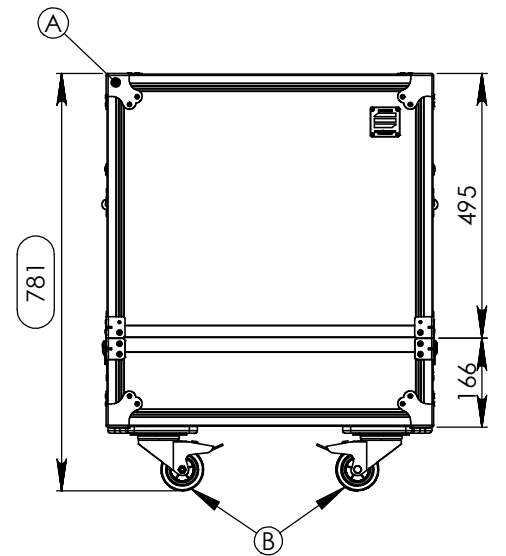
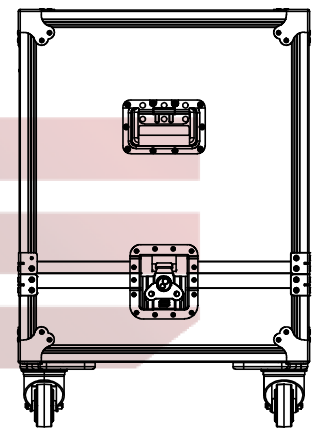
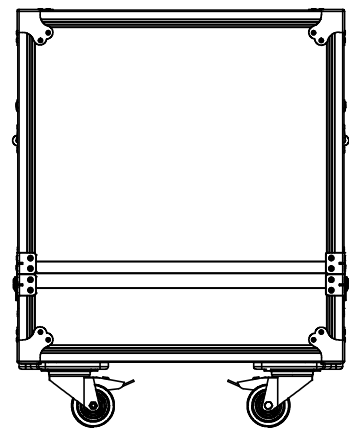
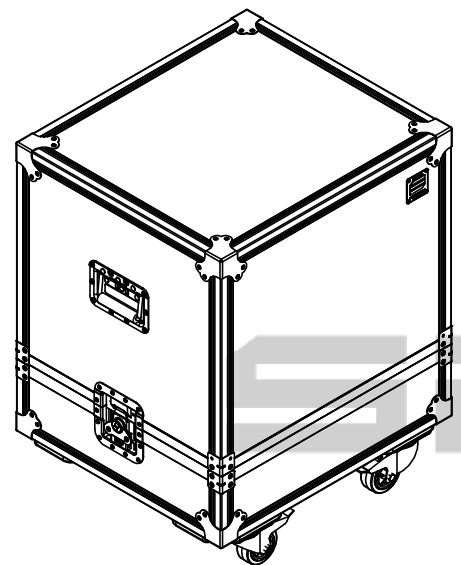


### Interior dimensions

Width	Depth	Height
580	205	630
Weight	Approx. 17 Kg	
Wall Thickness		9mm

### REVISIONS

ZONE	REV.	DESCRIPTION	DATE	APPROVED
-	0	Final Drawing	12/03/2012	Daniel Lopes
-	1	Changed the interior dimensions	18/04/2013	Daniel Lopes
A	1	Changed the corners	18/04/2013	Daniel Lopes
B	1	Changed to wheels with Ø80mm	18/04/2013	Daniel Lopes



### Hardware

Qty	Description
6	Large corner bracket f. 35mm case angle
2	Large corner bracket f. 35mm case angle
8	Case corner three-leg
2	Swivel castor Ø80 mm without brake
2	Large butterfly V3 with 'push-back' function
2	Recessed sprung handle medium model
1	Identification Plate
2	Swivel castor Ø80 mm with brake

This drawing must not be copied or disclosed without consent of the owner



Scale: 1:10  
UNITS IN mm DO NOT SCALE  
 general tolerance: 0.8mm

Reference: CABINET.161  
 FC. 4X LP LORDSPOWER TIPO K-ARRAY

