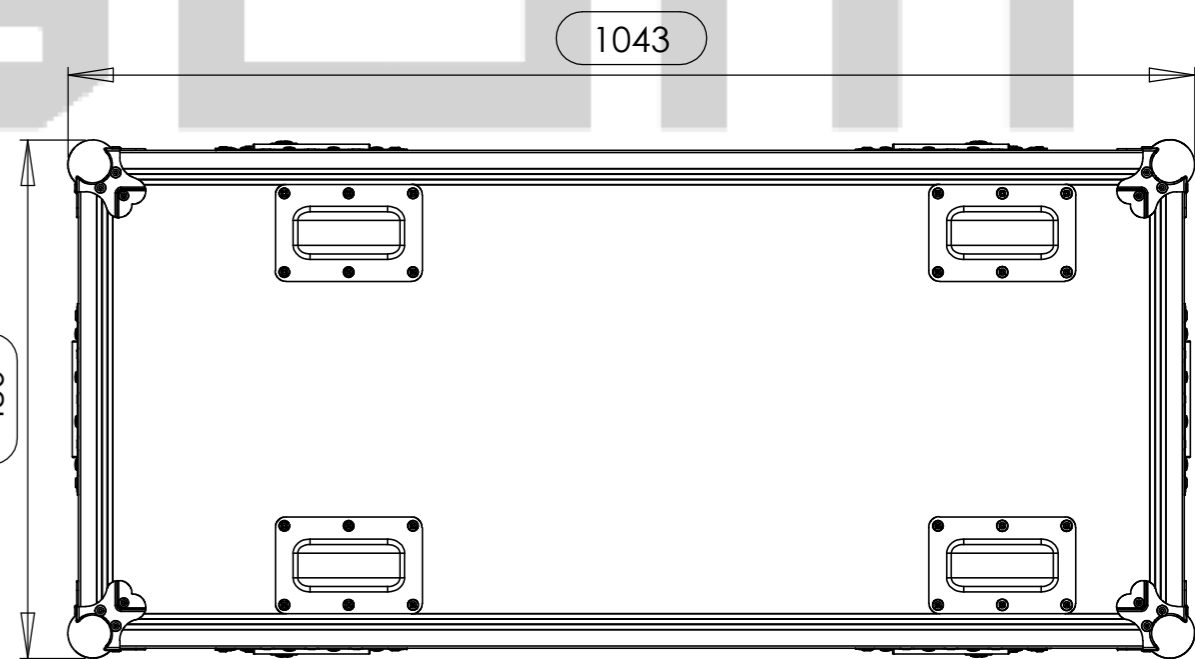
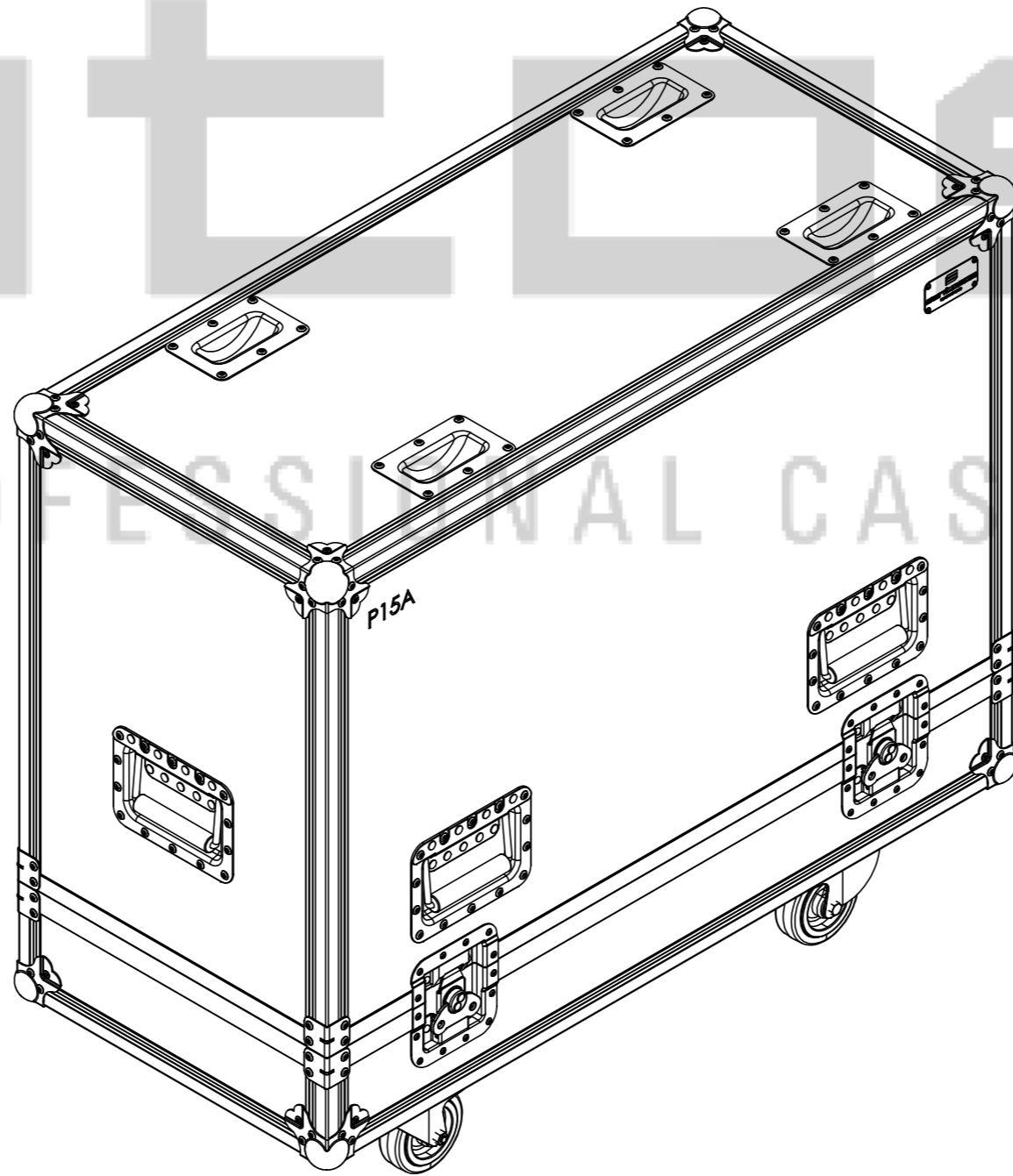
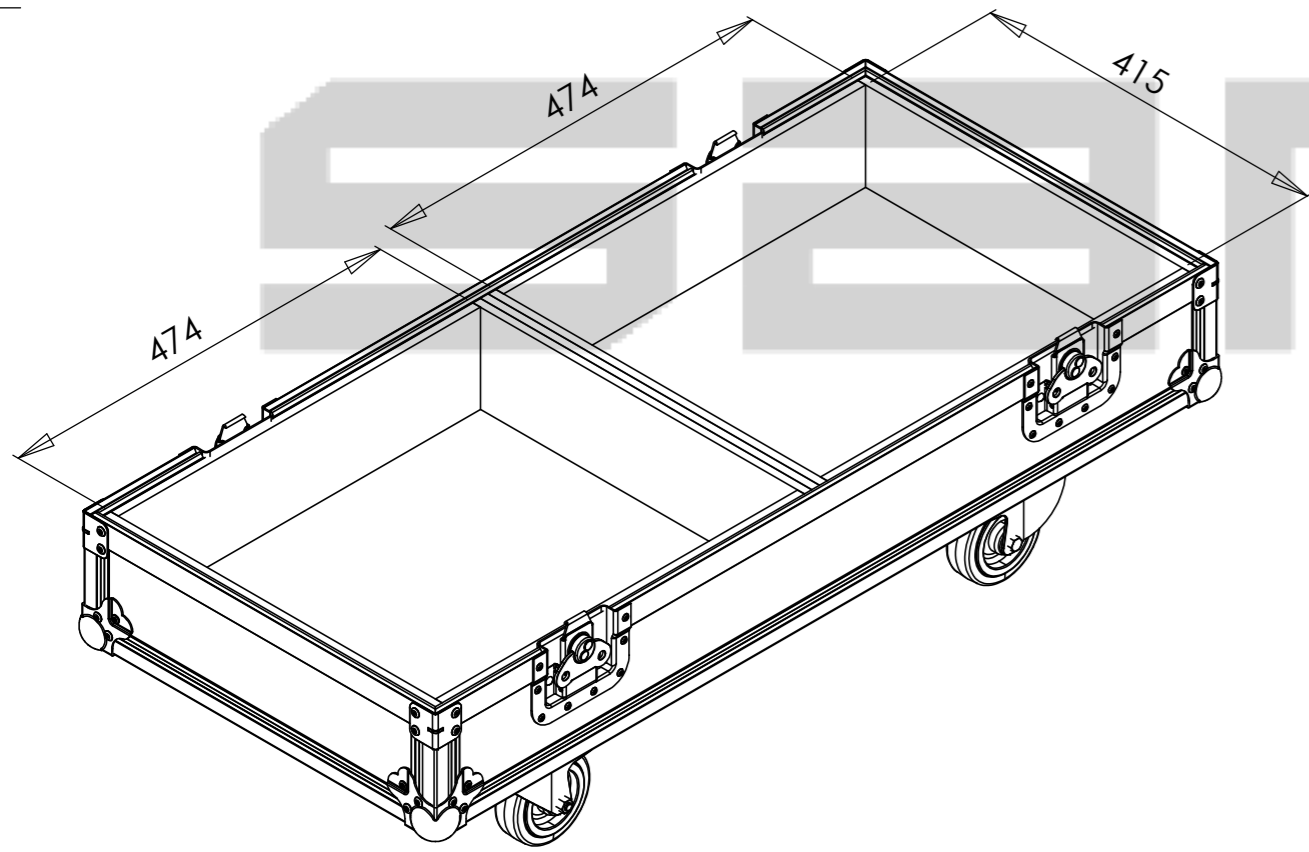
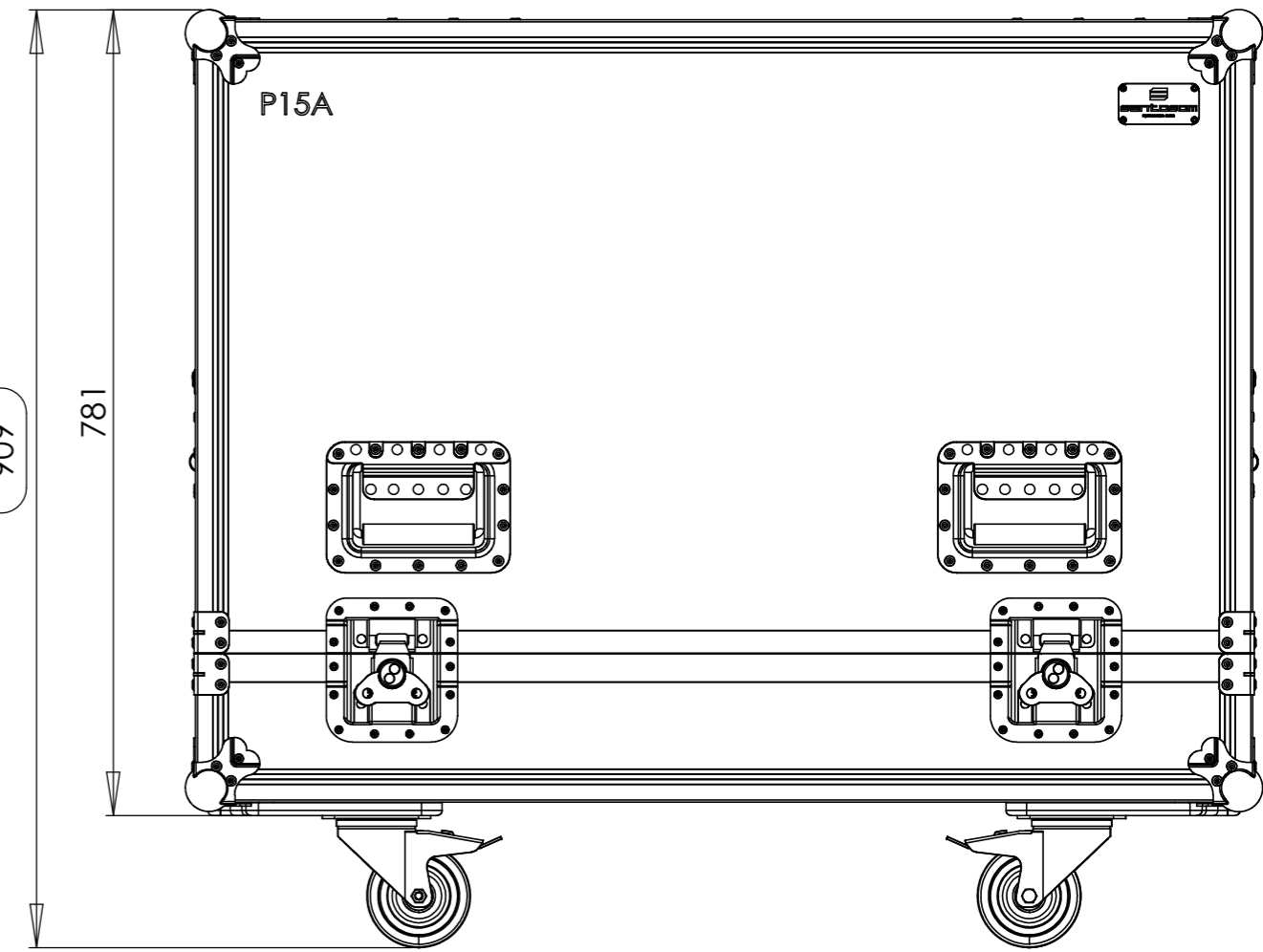
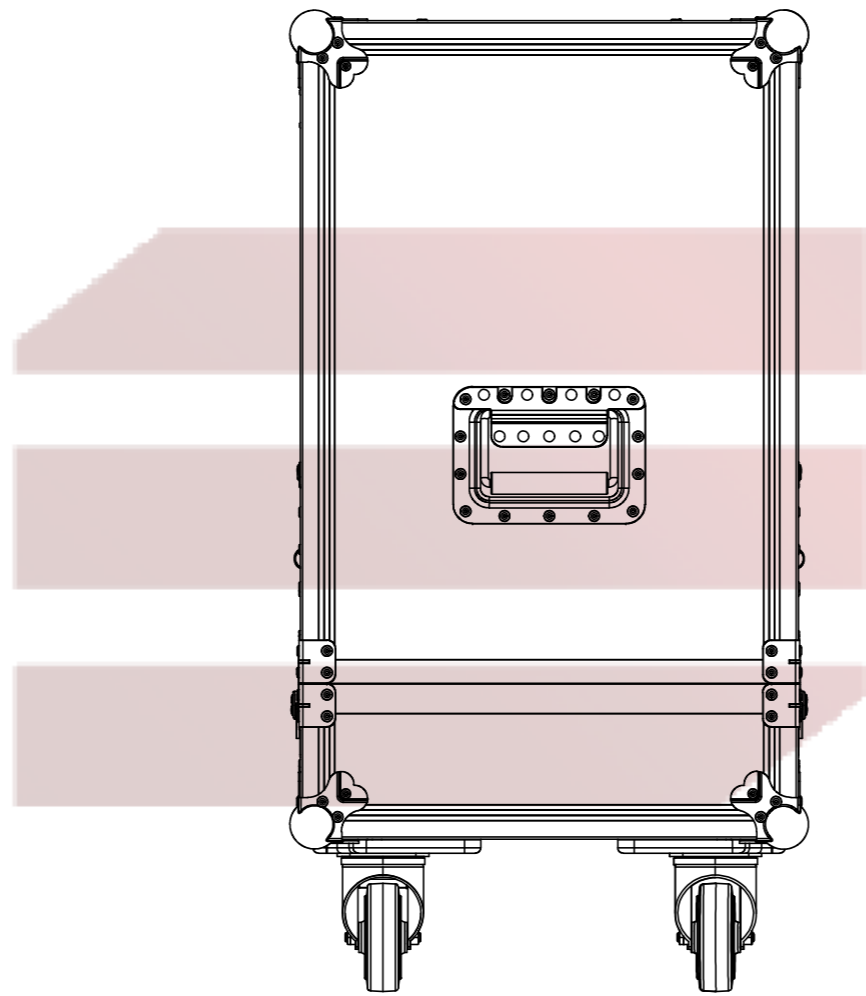
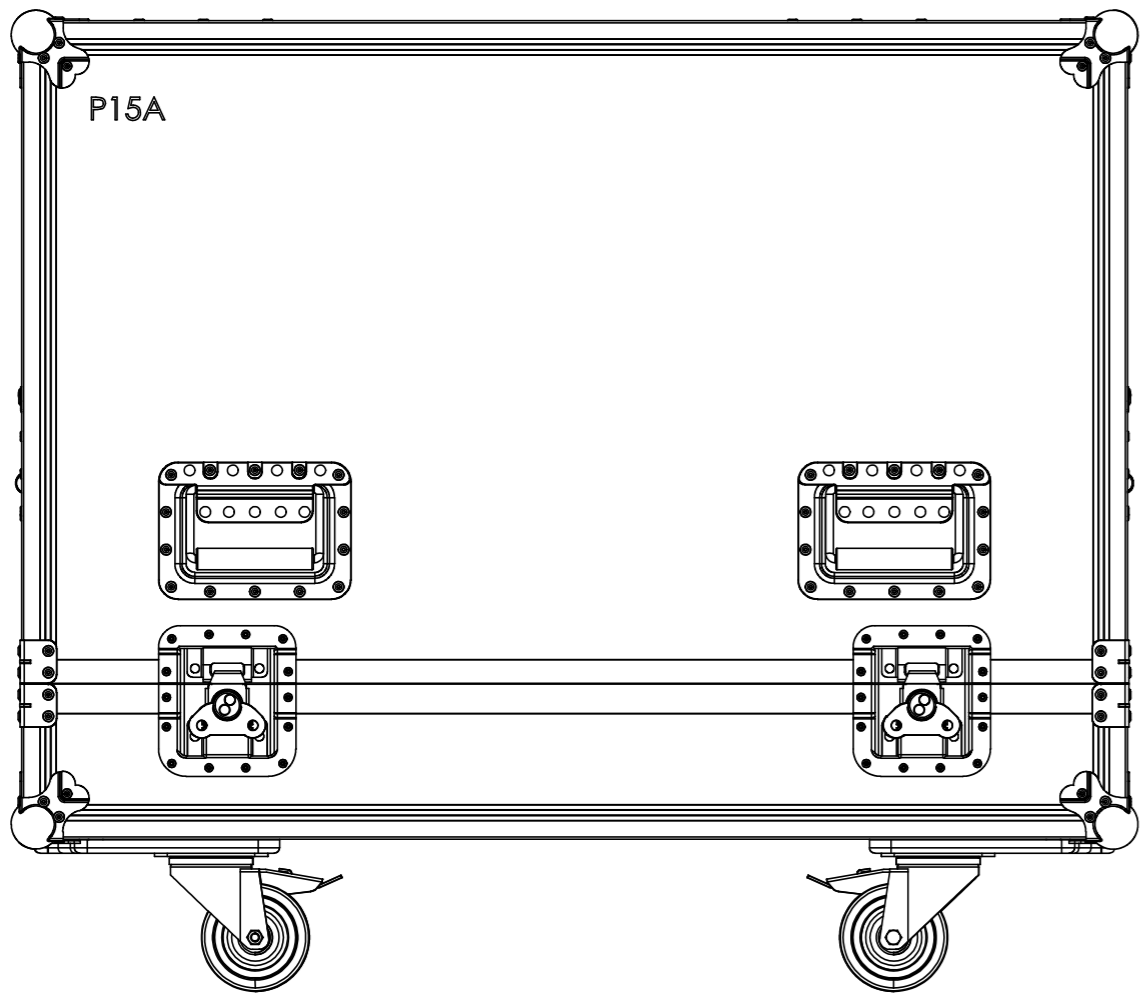


Interior dimensions		
Width	Depth	Height
474	415	694
Weight	Approx. 37 Kg	
Wall Thickness	10mm	



Hardware	
Qty	Description
8	Large corner bracket f. 35mm case angle
8	Ball Corner large three-leg cranked 35 mm 9 holes
4	Castor dish deep zinc plated
2	Swivel castor Ø100 mm with brake
2	Swivel castor Ø100 mm
6	Large, heavy duty, recessed sprung handle
4	Large butterfly V3 with 'push-back' function in 14mm dish

This drawing must not be copied or disclosed without consent of the owner 	Reference Scale 1:7 DO NOT SCALE	Name Daniel Lopes Date 18-06-2012	Reference CABINET.137 general tolerances 0.05mm	 PRT 551123 1:1 F1
	FC. 2 Master Audio - P15A			