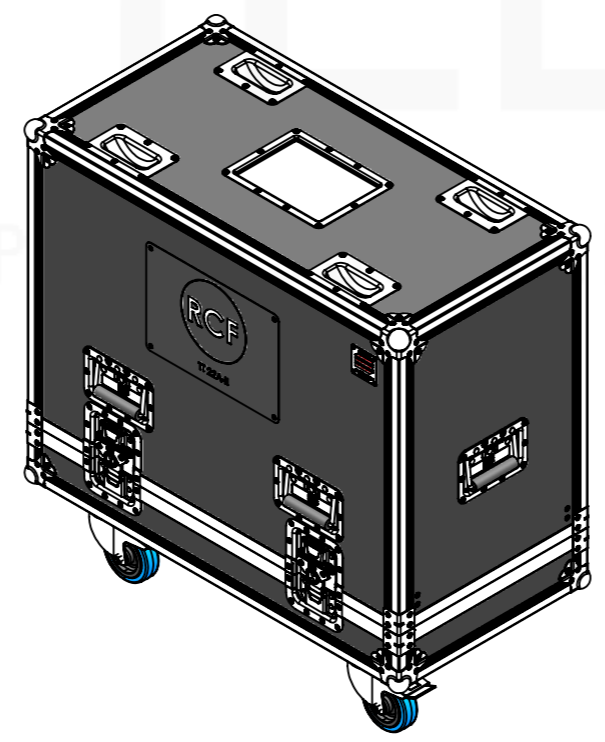
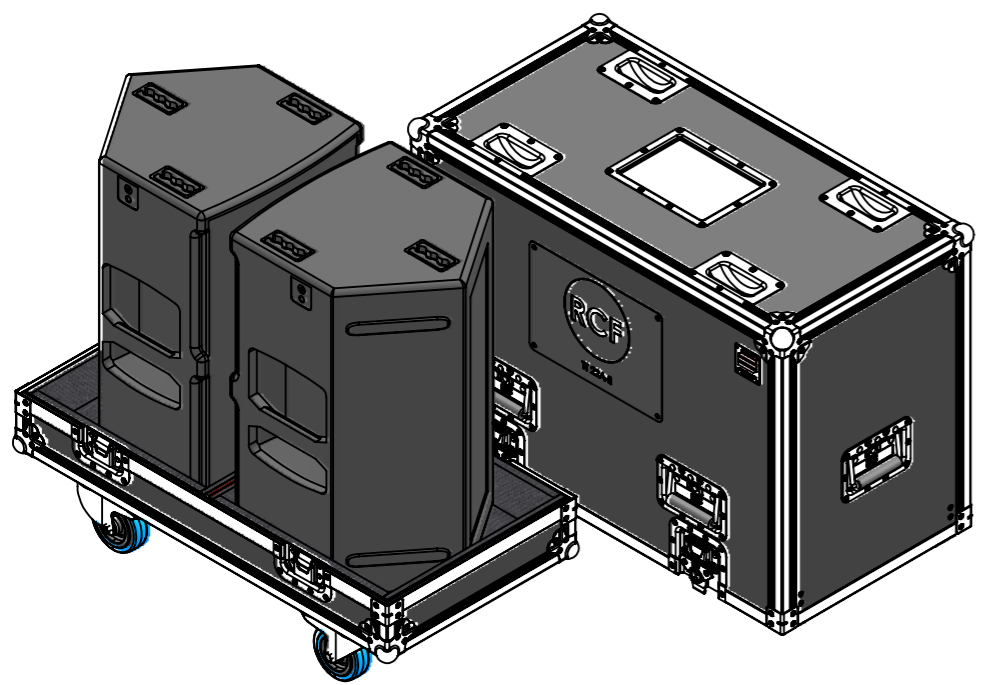
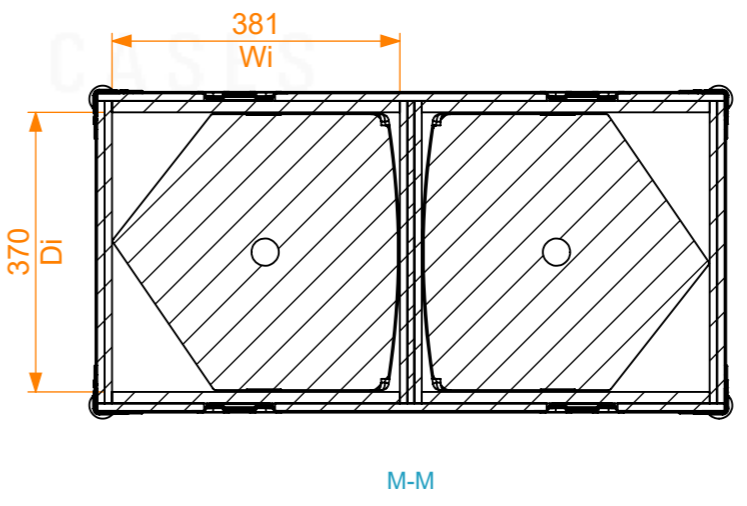
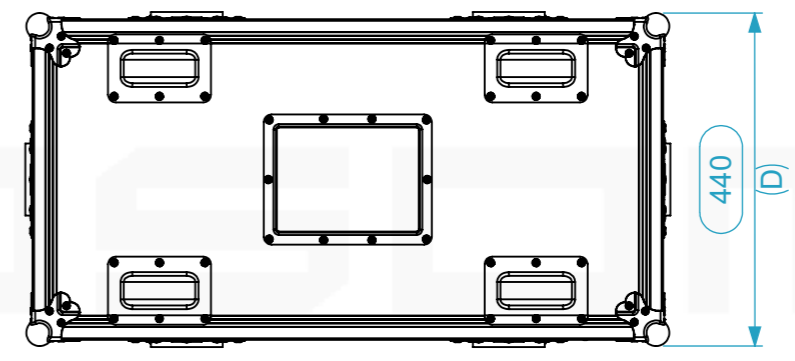
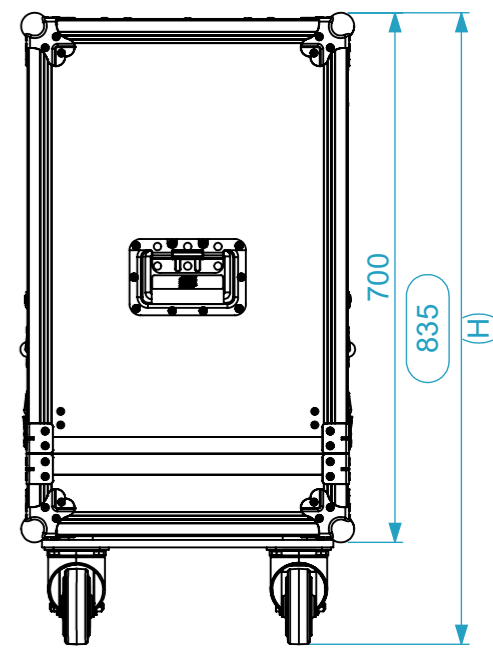
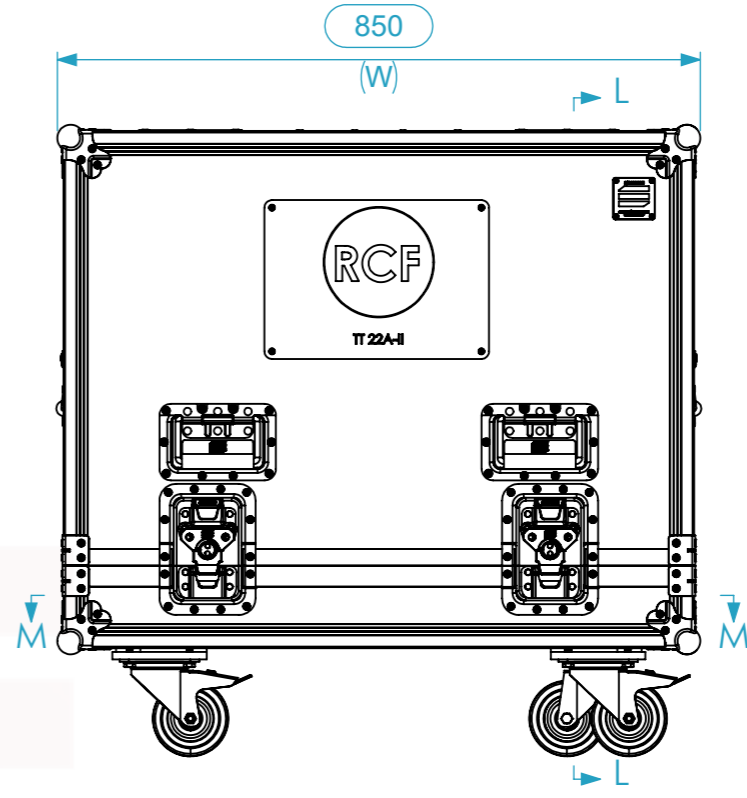
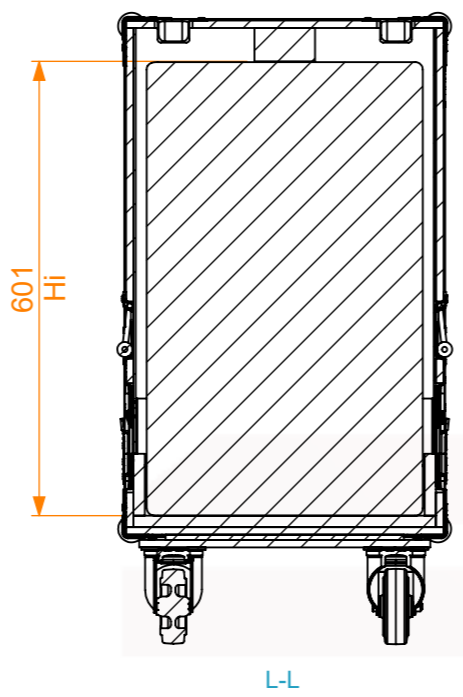
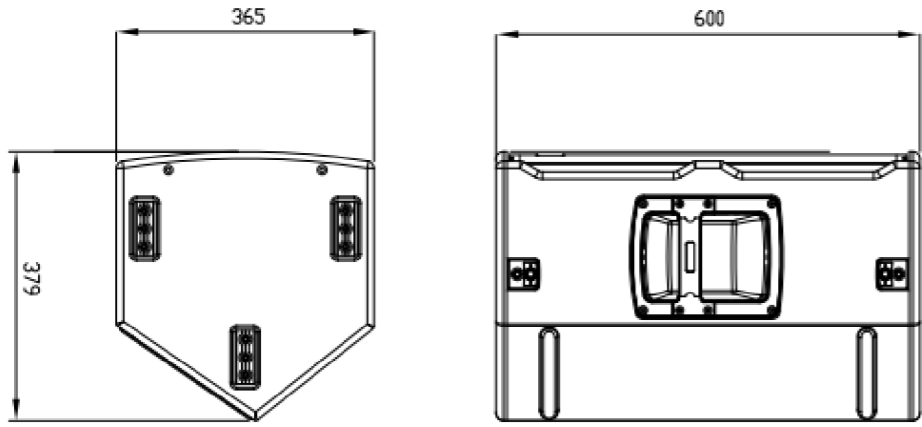


<b>Equipment</b>		RCF TT 22-A II	
<b>Width</b>	<b>Depth</b>	<b>Height</b>	
365	379	600	
<b>Weight</b>	Approx. 22.6 Kg		
<b>Internal Dimensions</b>			
<b>Width</b>	<b>Depth</b>	<b>Height</b>	
381	370	585	
<b>Weight</b>	Approx. 32.72 Kg		
<b>Wall Thickness</b>			10mm



General External Dimensions	
W	Width
D	Depth
H	Height
Usable Inner Dimensions	
Wi	Inside Width
Di	Inside Depth
Hi	Inside Height

<b>Name</b>	projects	<b>Date</b>	26/04/2021
<b>Reference</b>	CABINET.125		
<b>Scale</b>	1:10	<b>units in mm</b>	general tolerance 0.8mm
<b>Scale</b>	DO NOT SCALE	Flight case PRO 2x RCF TT 22A-II	



This drawing must not be copied or disclosed without consent of the owner

1st Angle projection

A3