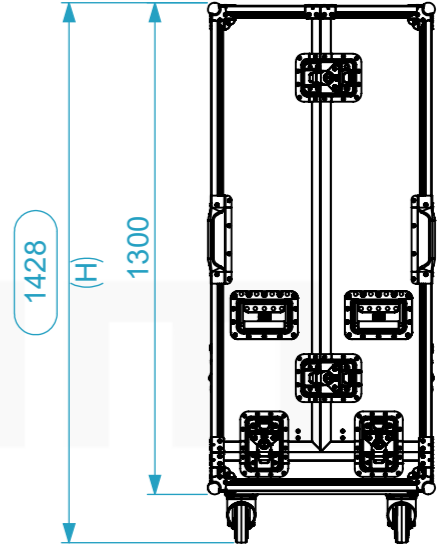
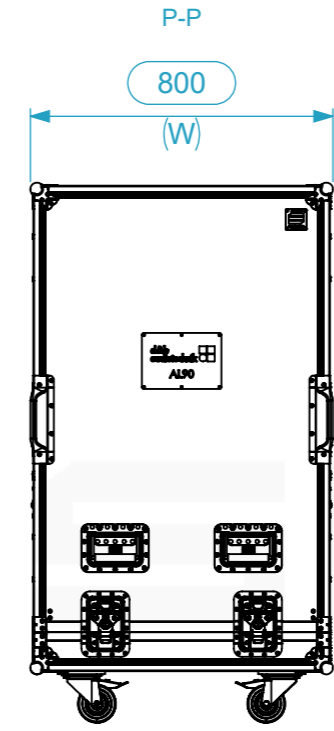
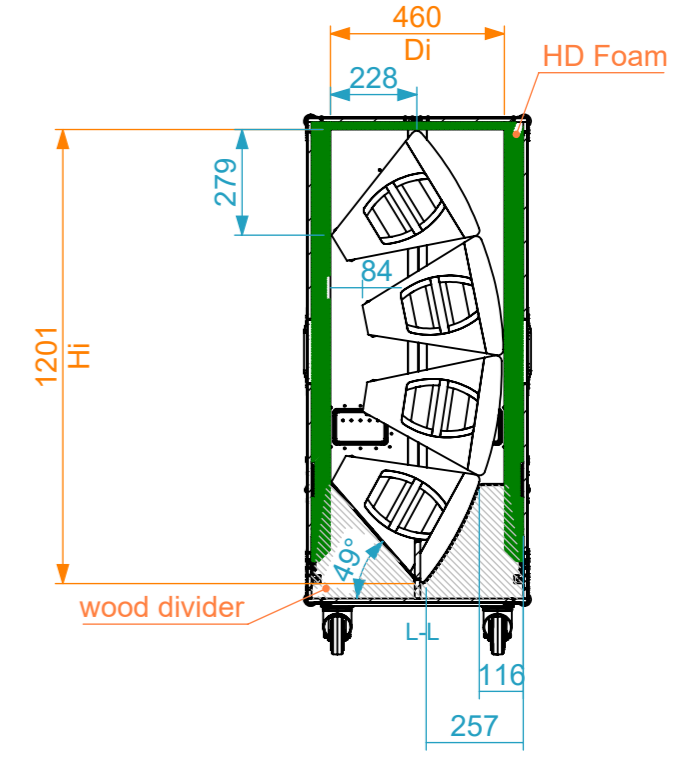
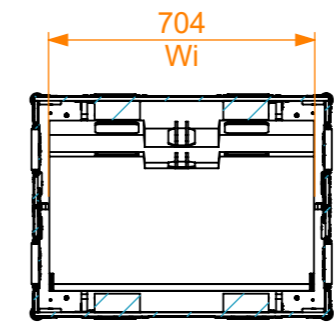
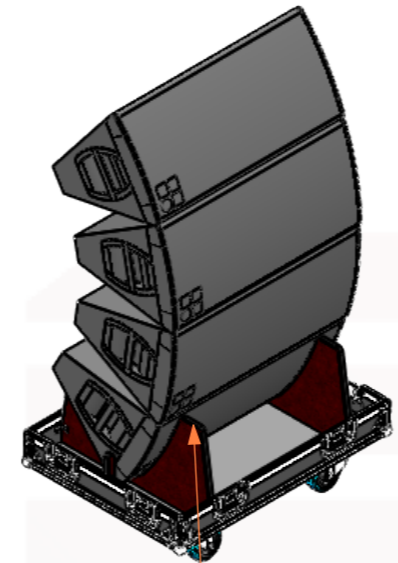
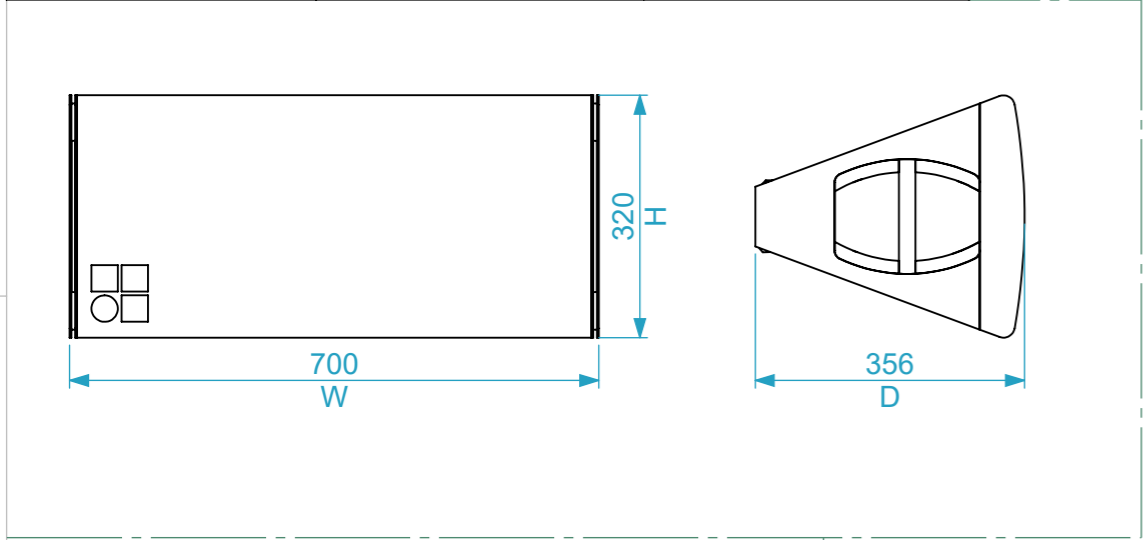
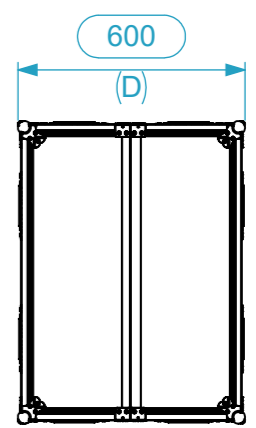
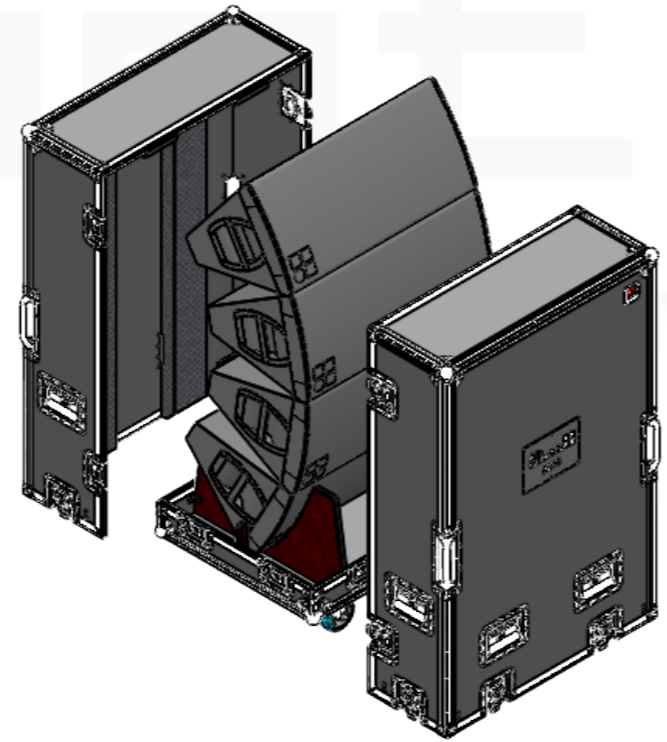
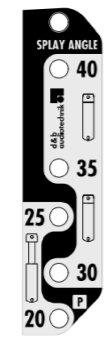
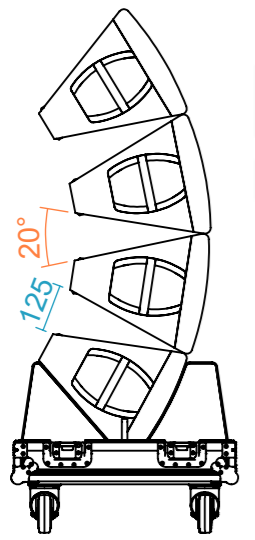


Equipment		D&B AL90	
Width	Depth	Height	
700	356	320	
Weight	Approx. 23 Kg		
Internal Dimensions			
Width	Depth	Height	
1201	460	704	
Weight	Approx. 55.41 Kg		



For transportation, place in the socket with a 20° angle.



General External Dimensions		Usable Inner Dimensions		Wood Inner Dimensions	
W	Width	Wi	Inside Width	WWi	Wood Inside Width
D	Depth	Di	Inside Depth	WDi	Wood Inside Depth
H	Height	Hi	Inside Height	WHi	Wood Inside Height

Name	Date
Drawn by jose.couto	27/01/2023
Reference	CABINET.1030
Scale	1:20
units in mm	general tolerance 0.8mm
DO NOT SCALE	
Flight Case PRO-3, 4x D&B AL90	



This drawing must not be copied or disclosed without consent of the owner



A3