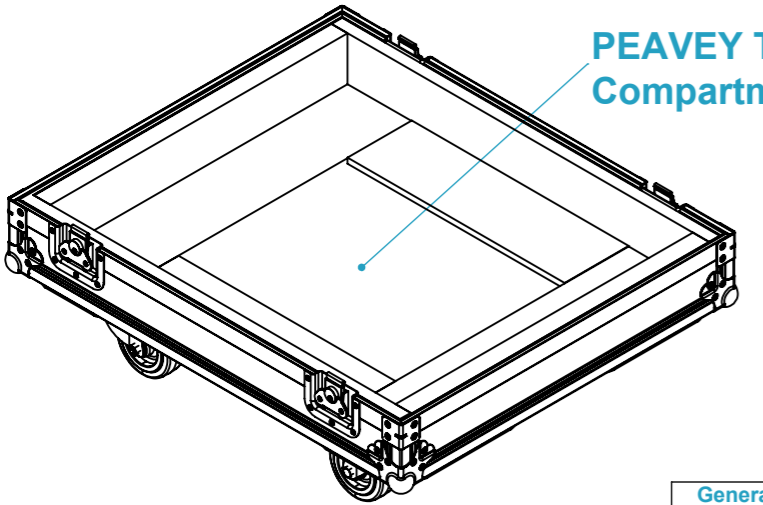
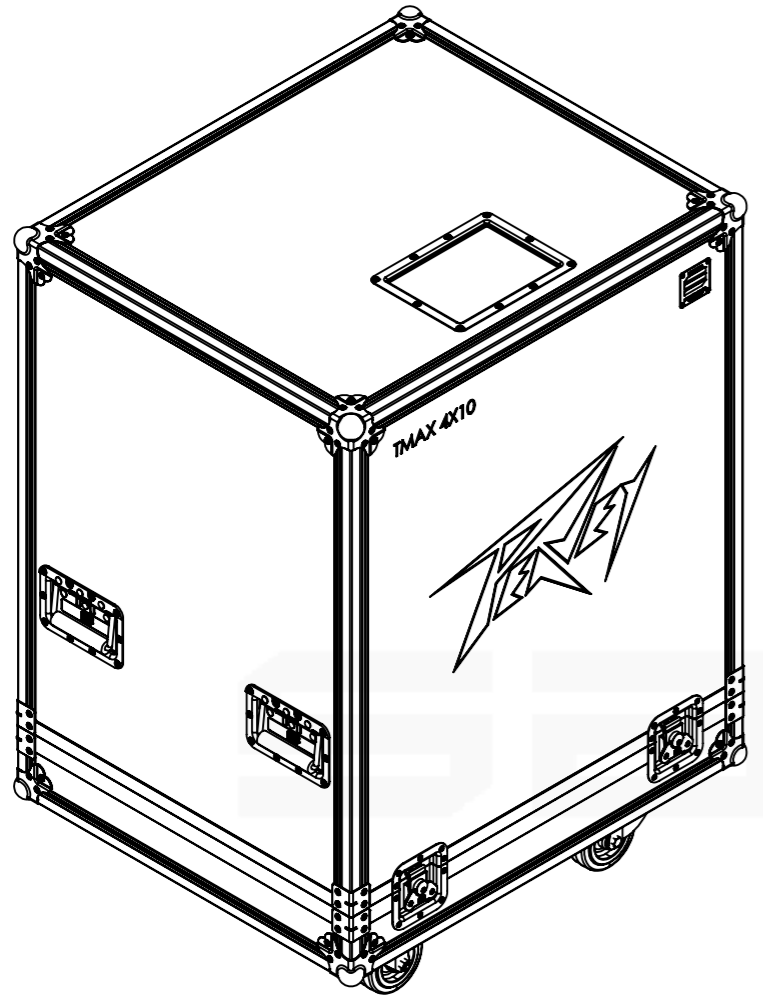
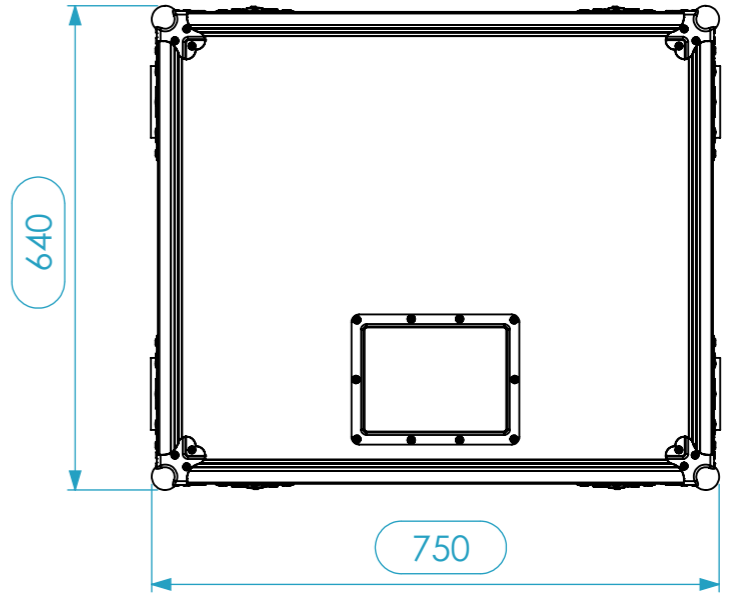
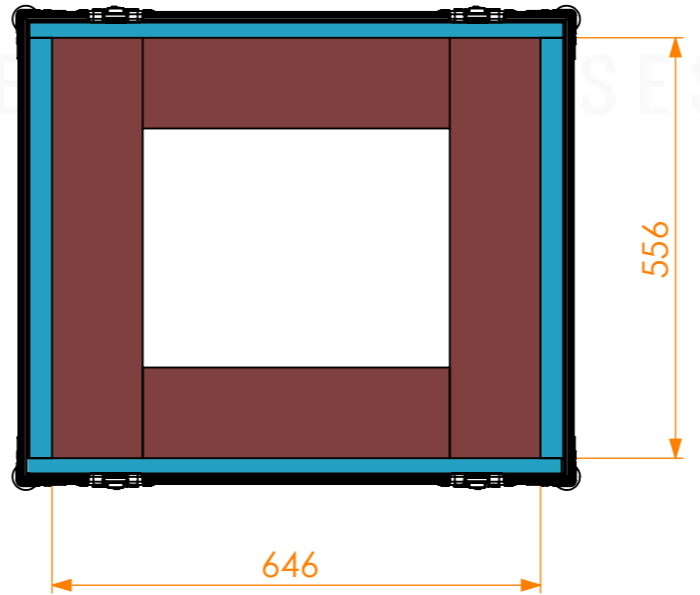
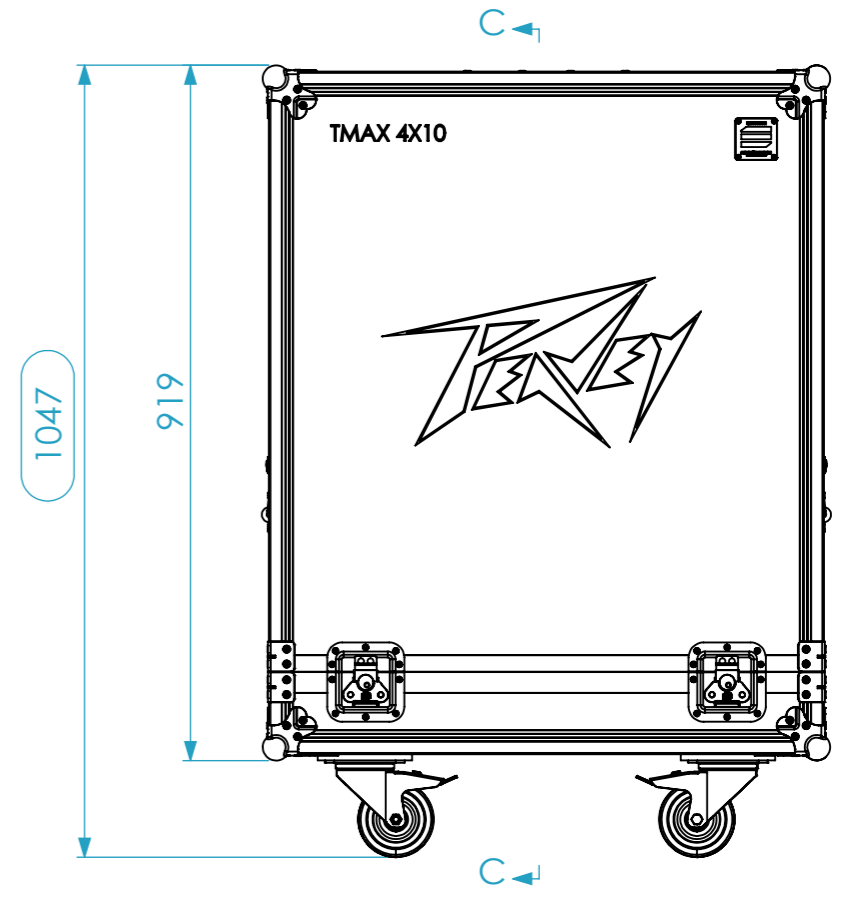
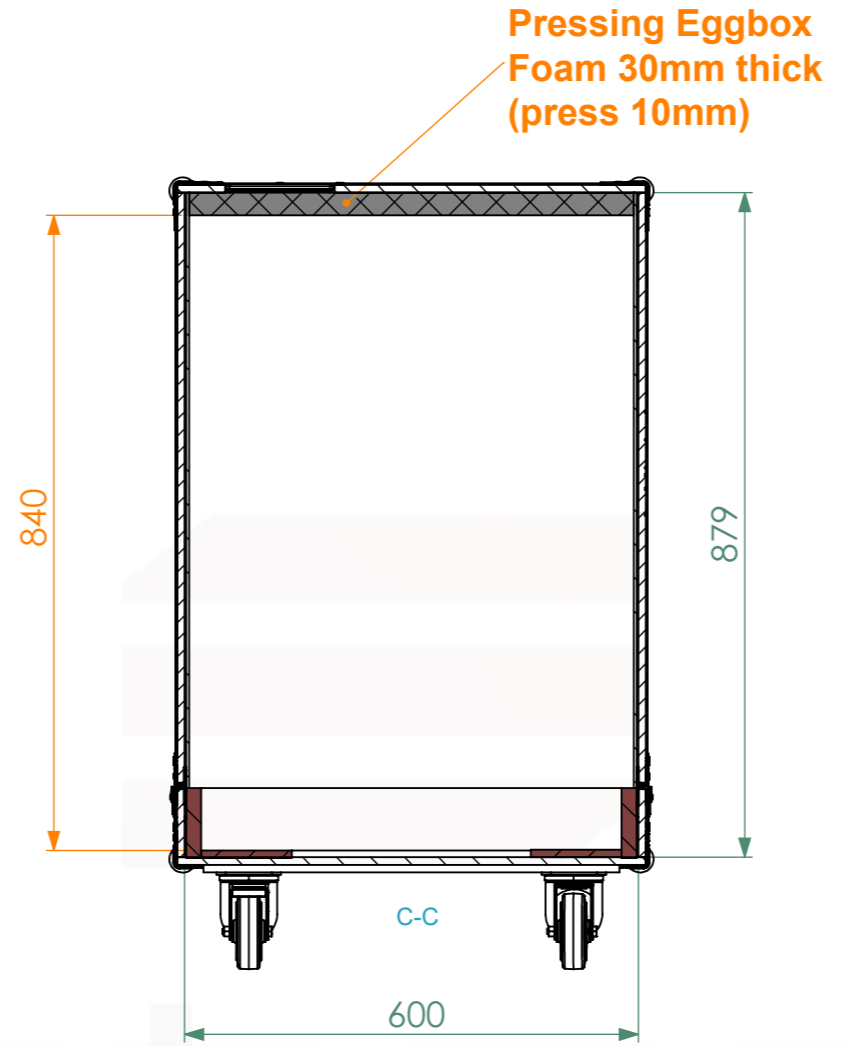


Equipment	PEAVEY TMAX 4X10	
Width	Depth	Height
640	550	850
Internal Dimensions		
Width	Depth	Height
646	556	839
Weight	Approx. 35 Kg	
Wall Thickness	10mm	



PEAVEY TMAX 4X10
Compartment



General External Dimensions		Usable Inner Dimensions		Wood Inner Dimensions	
W	Width	Wi	Inside Width	WWi	Wood Inside Width
D	Depth	Di	Inside Depth	WDi	Wood Inside Depth
H	Height	Hi	Inside Height	WHi	Wood Inside Height

This drawing must not be copied or disclosed without consent of the owner

Drawn by	Name	Date
jorgepacheco	jorgepacheco	12/06/2018
Reference	CABINET.103	
Scale	units in mm	general tolerance
1:10	DO NOT SCALE	0.8mm
1st Angle projection	FC, PEAVEY TMAX 4X10 RODAS	

