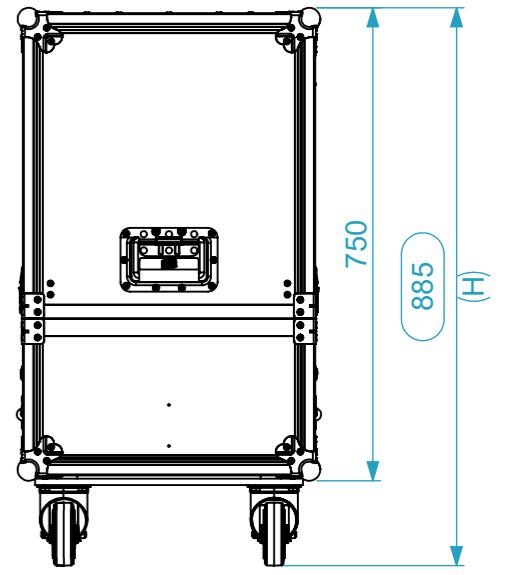
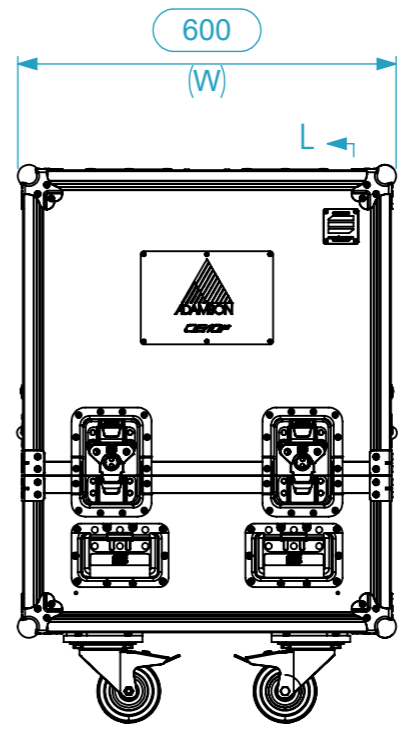
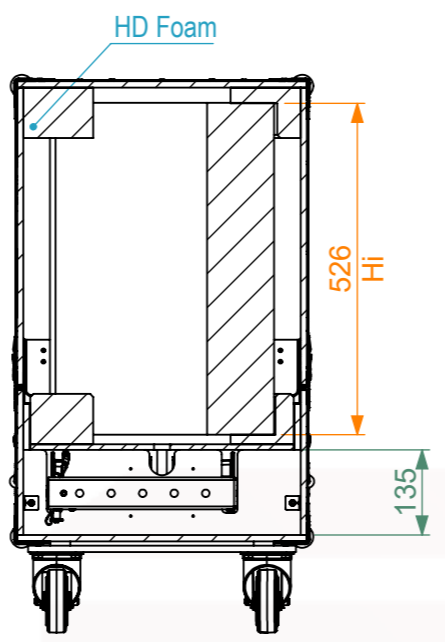
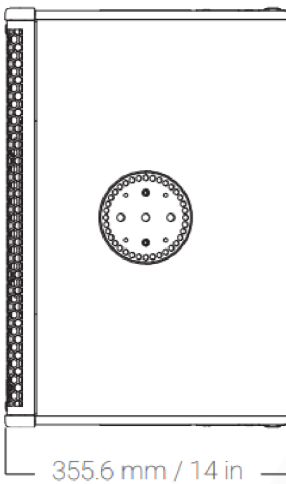
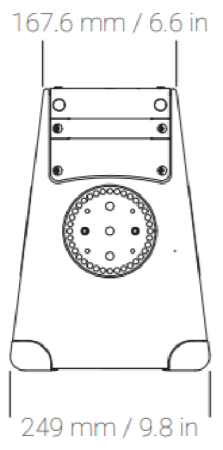
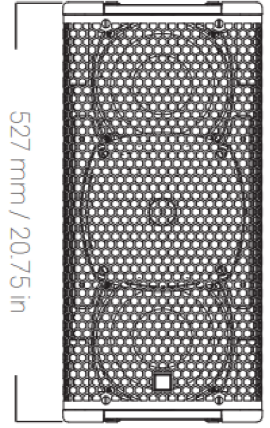
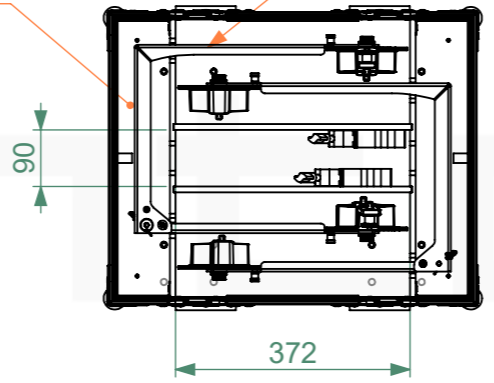


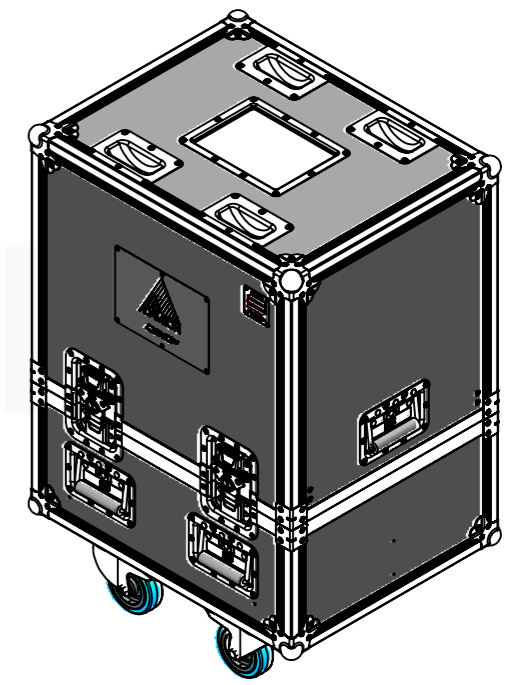
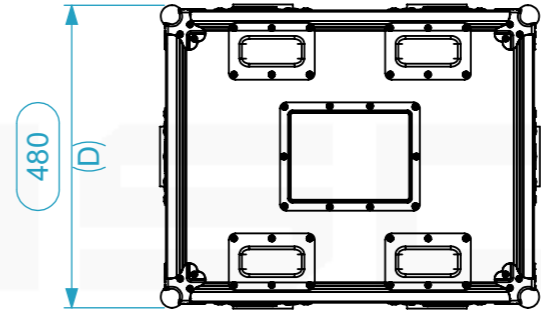
Equipment			Adamson CS7p		
Width	Depth	Height			
249	355.6	527			
Weight	Approx. 19 Kg				
Internal Dimensions					
Width	Depth	Height			
252	360	526			
Weight	Approx. 31 Kg				
Wall Thickness		10mm			



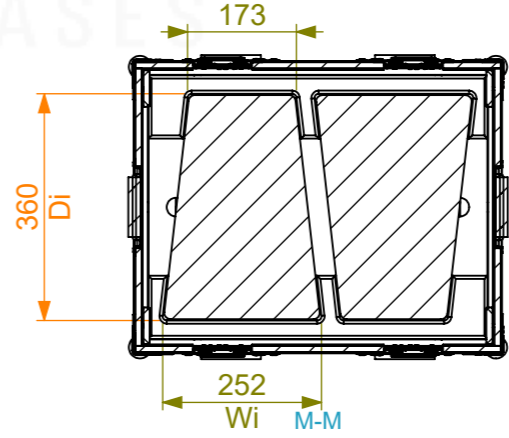
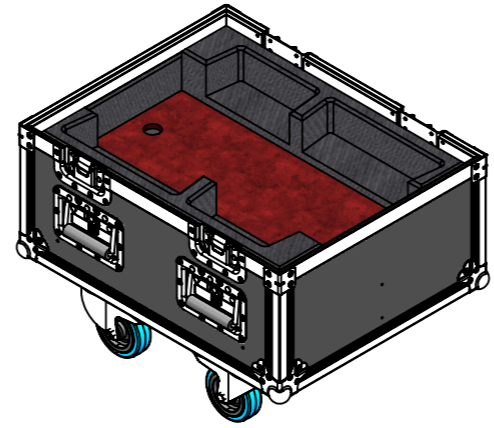
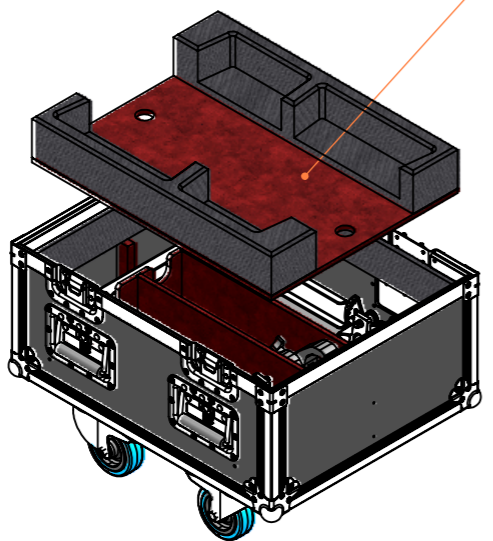
Space for Accessories



Ultra-Compact Point Source Vertical Bracket (934-0036)



Removable base



General External Dimensions	
W	Width
D	Depth
H	Height
Usable Inner Dimensions	
Wi	Inside Width
Di	Inside Depth
Hi	Inside Height

Name	Date
Drawn by projects	26/05/2022
Reference	CABINET.1021
Scale	1:12
units in mm	general tolerance 0.8mm
DO NOT SCALE	
1st Angle projection	Flight case PRO, 2x Adamson CS7p Bracket off



This drawing must not be copied or disclosed without consent of the owner

A3