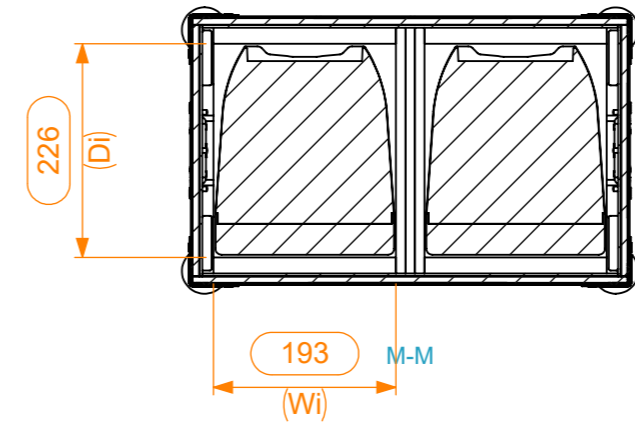
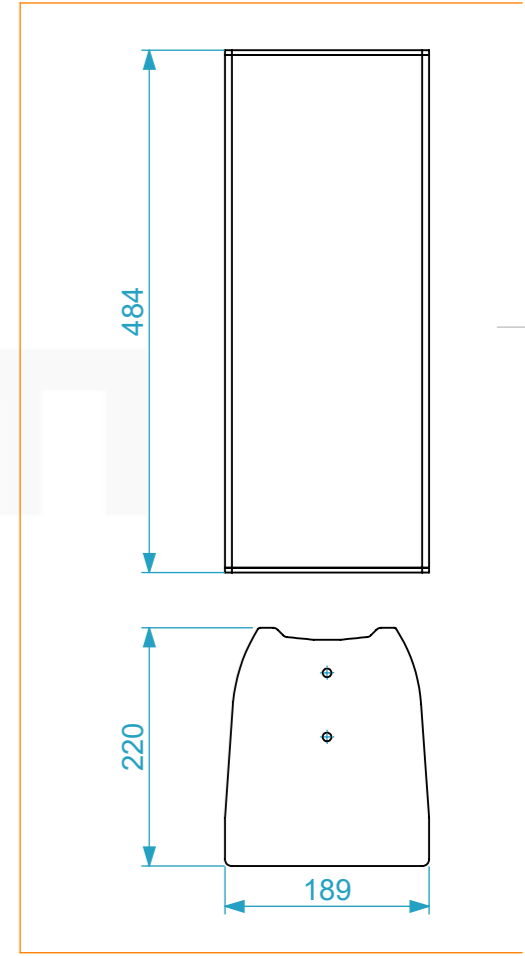
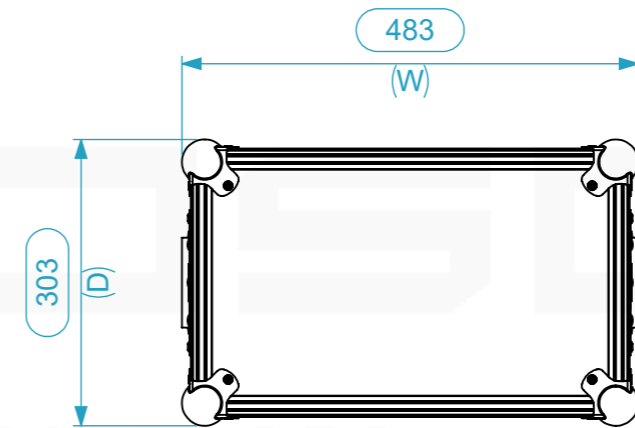
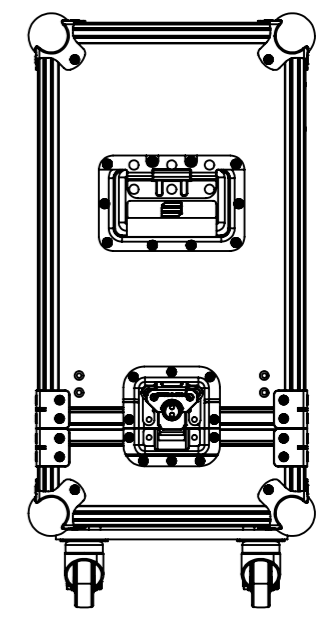
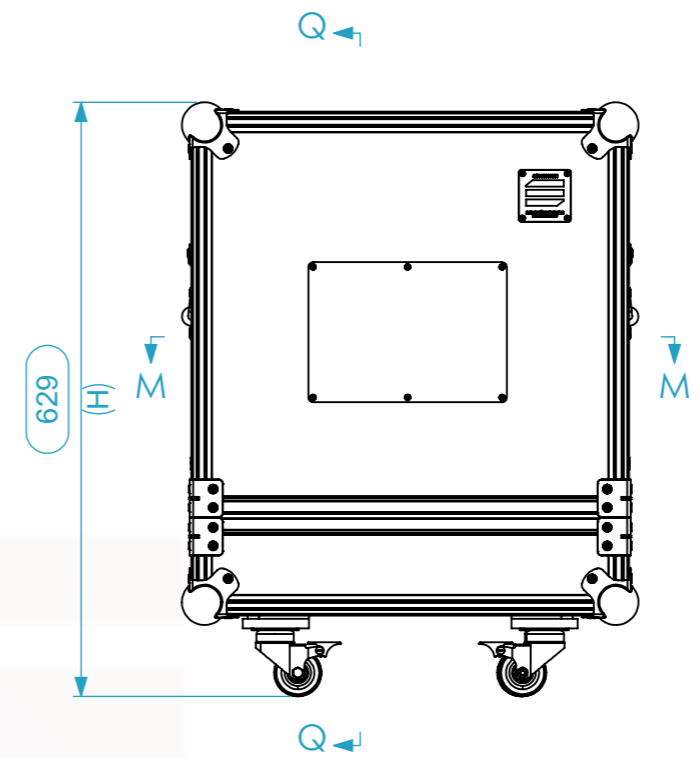
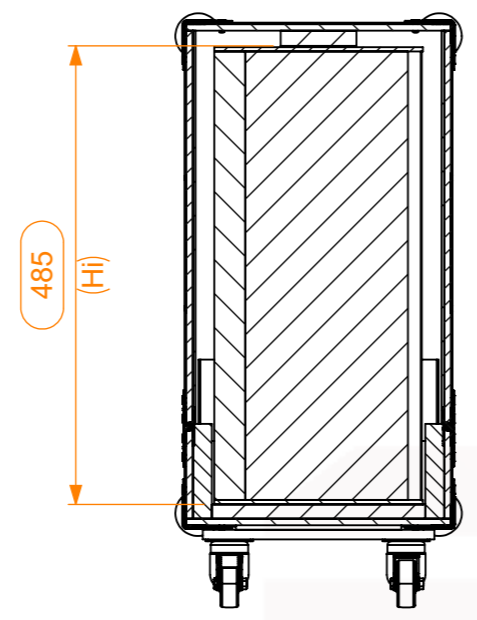
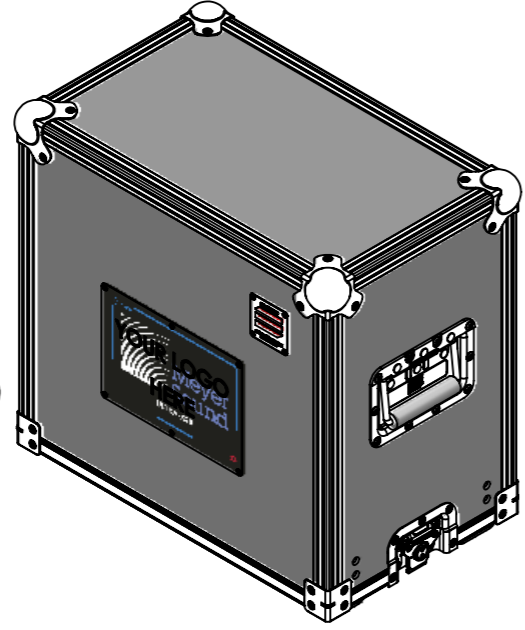
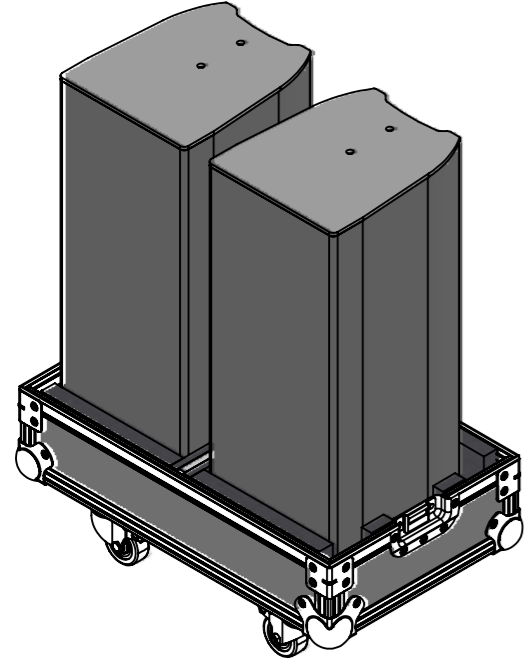
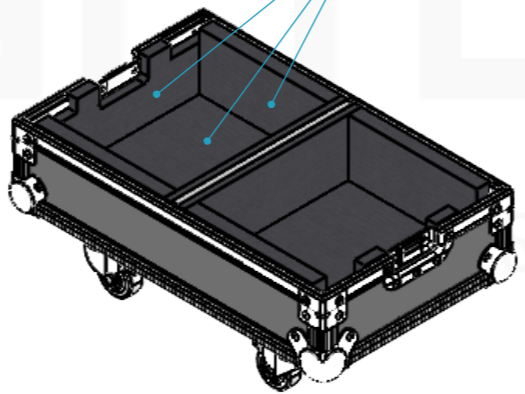
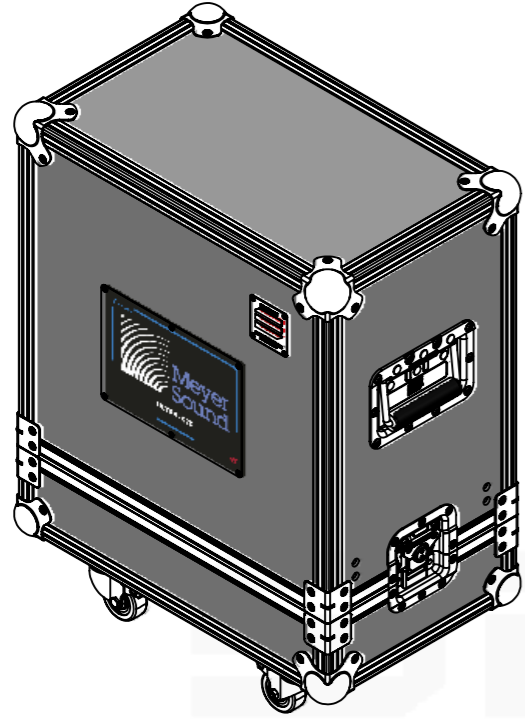


Equipment	ULTRA-X20	
Width	Depth	Height
484	220	189
Weight	Approx. 12 KG Kg	
Internal Dimensions		
Width	Depth	Height
443	263	513
Weight	Approx. 11.56 Kg	
Wall Thickness	7mm	



General External Dimensions	
W	Width
D	Depth
H	Height
Usable Inner Dimensions	
Wi	Inside Width
Di	Inside Depth
Hi	Inside Height

Name	guilherme.santos	Date	15/04/2026
Reference	CABINET.125		
Scale	1:8	units in mm	general tolerance 0.8mm
Flight case PRO 2x RCF TT 22A-II			



This drawing must not be copied or disclosed without consent of the owner



A3