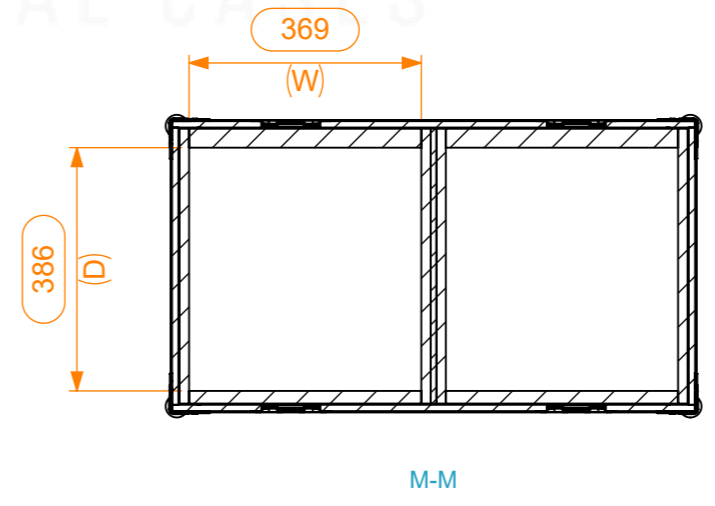
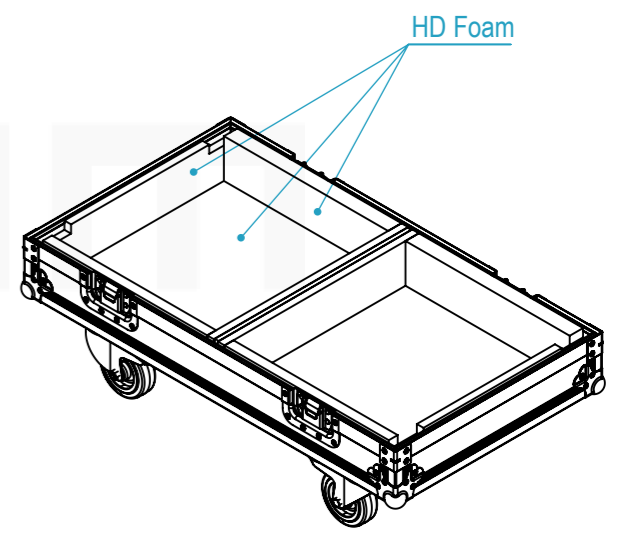
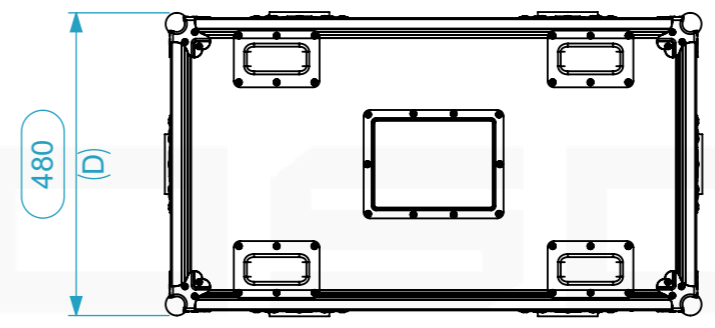
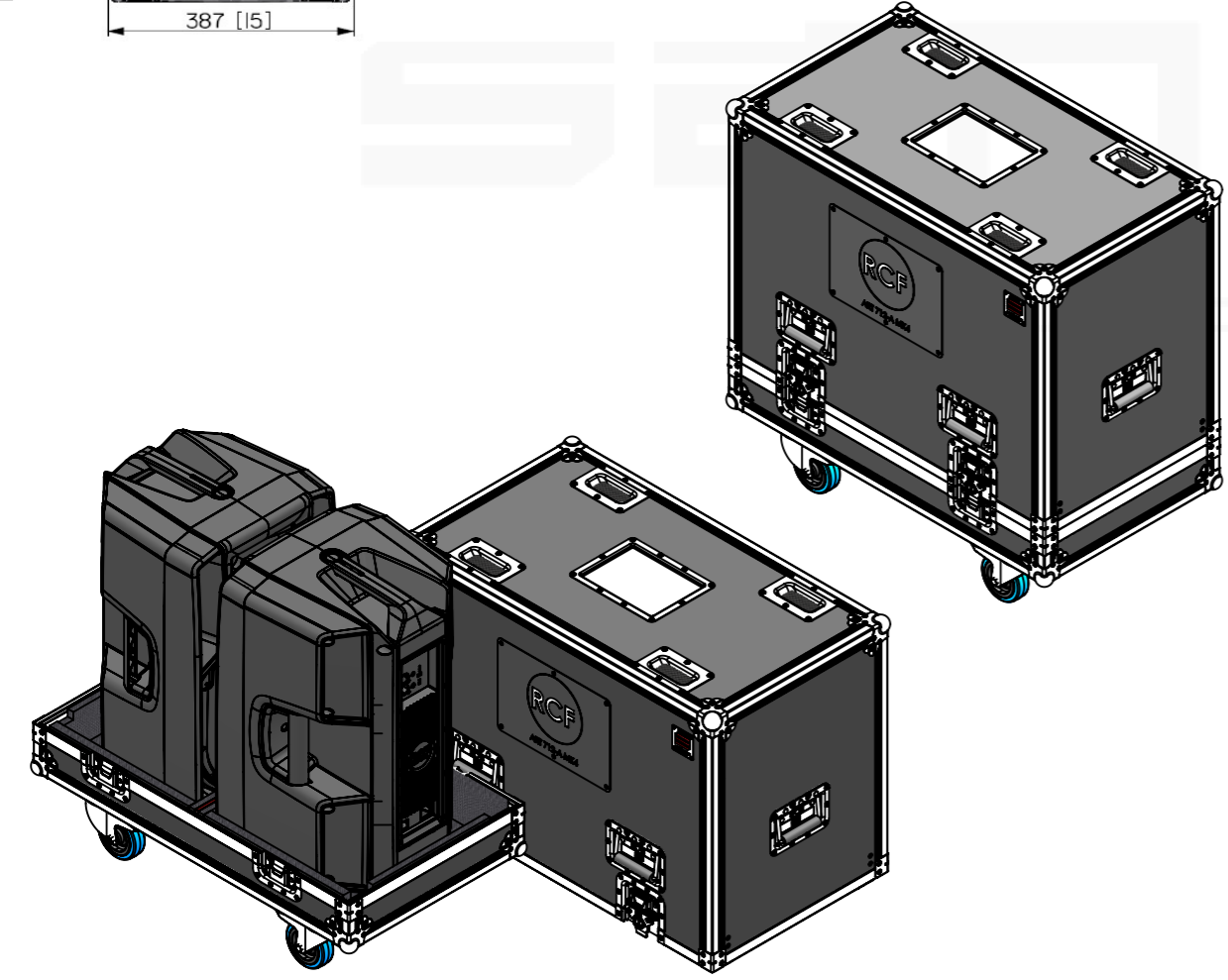
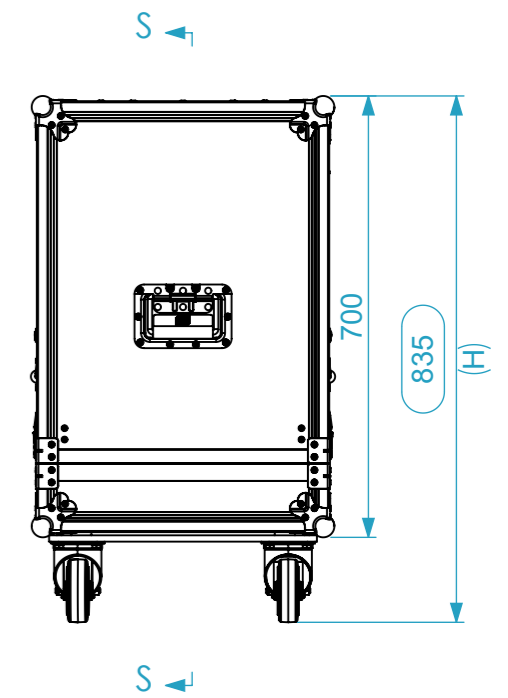
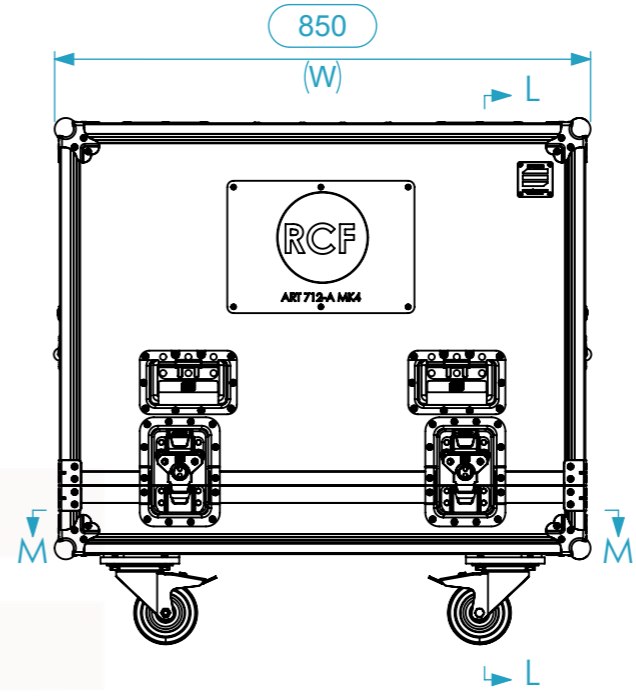
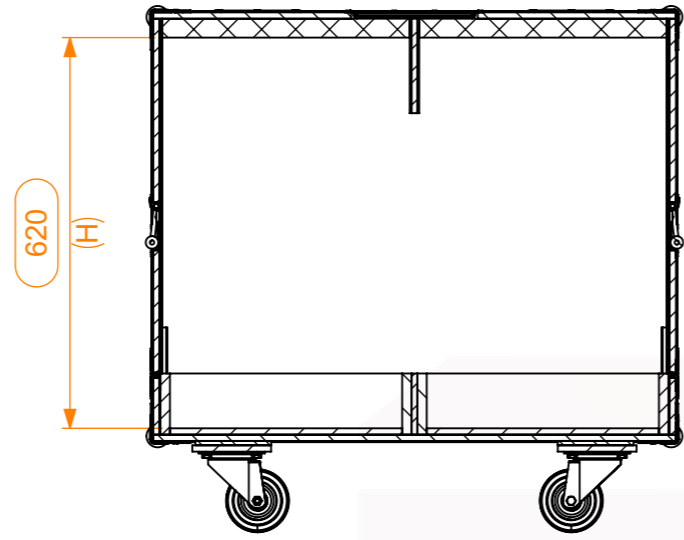
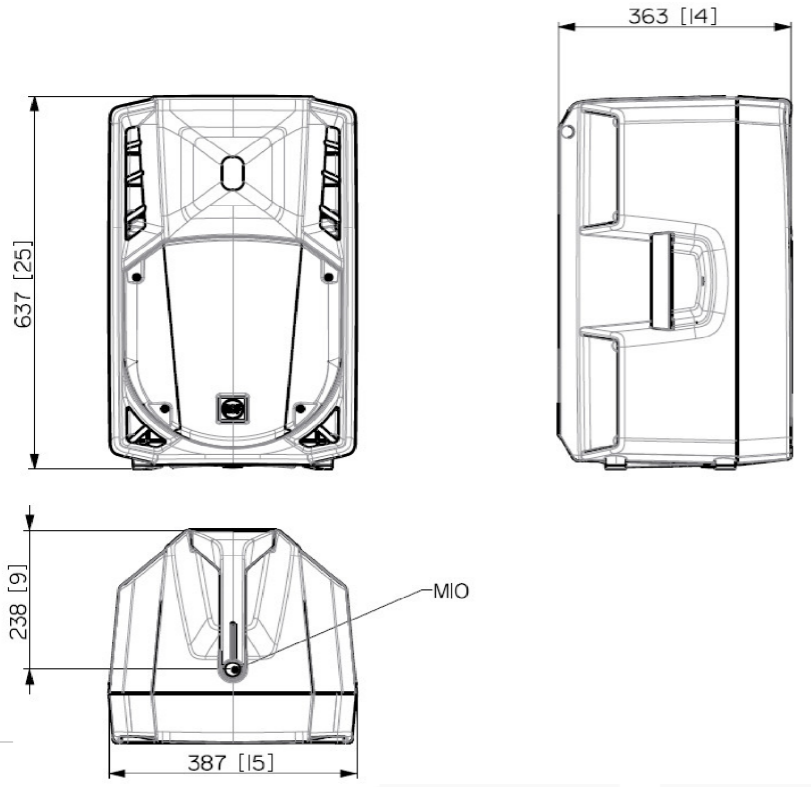


<b>Equipment</b>			<b>ART 712-A MK4</b>		
<b>Width</b>	<b>Depth</b>	<b>Height</b>			
363	387	637			
<b>Weight</b>	Approx. 17.8 Kg				
<b>Internal Dimensions</b>					
<b>Width</b>	<b>Depth</b>	<b>Height</b>			
319	376	595			
<b>Weight</b>	Approx. 34.04 Kg				
<b>Wall Thickness</b>					10mm



General External Dimensions	
W	Width
D	Depth
H	Height
Usable Inner Dimensions	
Wi	Inside Width
Di	Inside Depth
Hi	Inside Height

<b>Name</b>	projects	<b>Date</b>	15/09/2021
<b>Reference</b>	CABINET.1007		
<b>Scale</b>	1:12	<b>units in mm</b>	DO NOT SCALE
<b>Scale</b>	1:12	<b>general tolerance</b>	0.8mm
<b>Scale</b>	1:12	Flight case PRO 2x RCF ST 12-SMA II	



This drawing must not be copied or disclosed without consent of the owner



A3