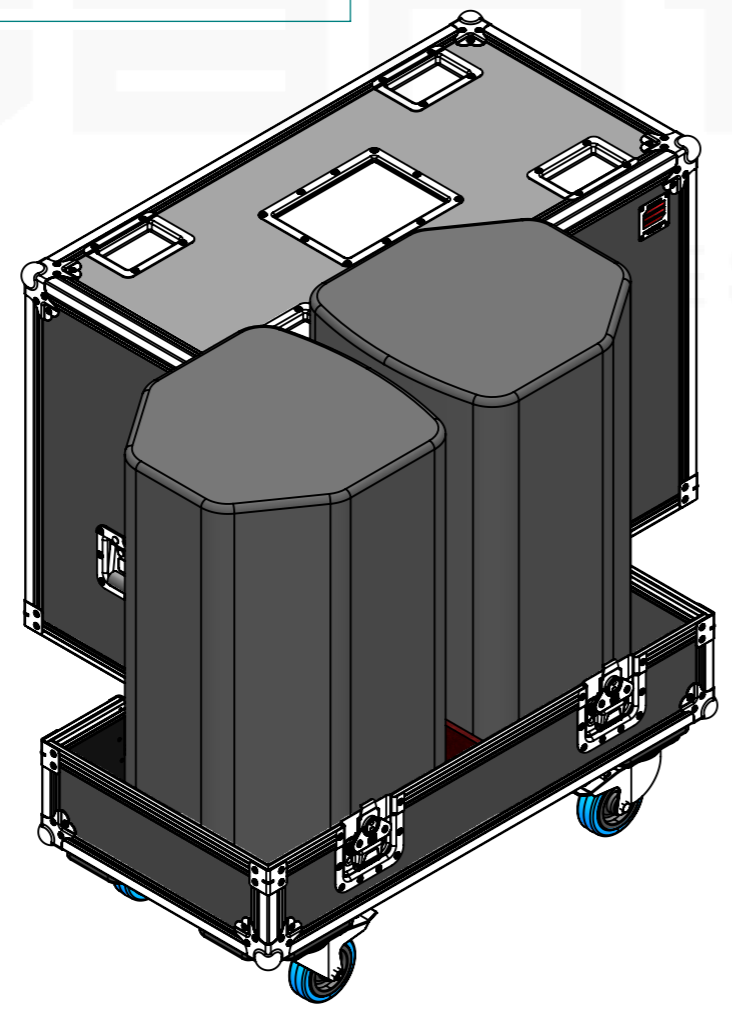
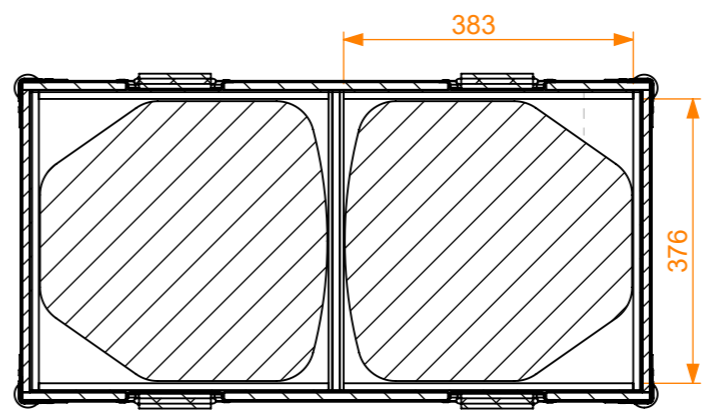
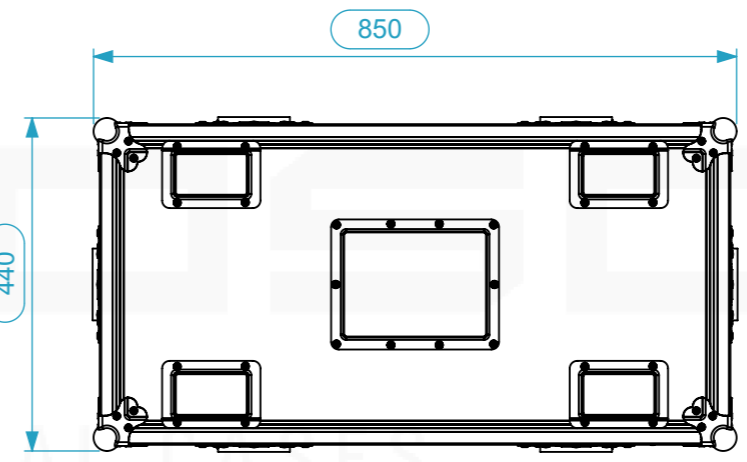
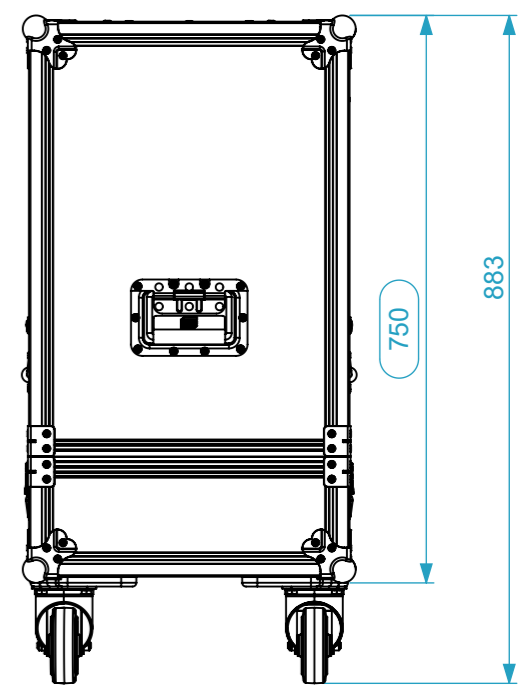
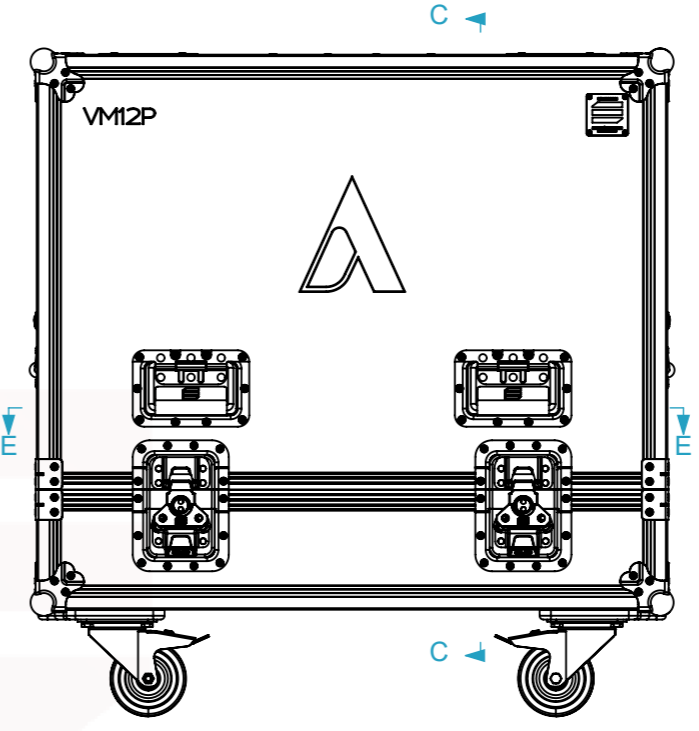
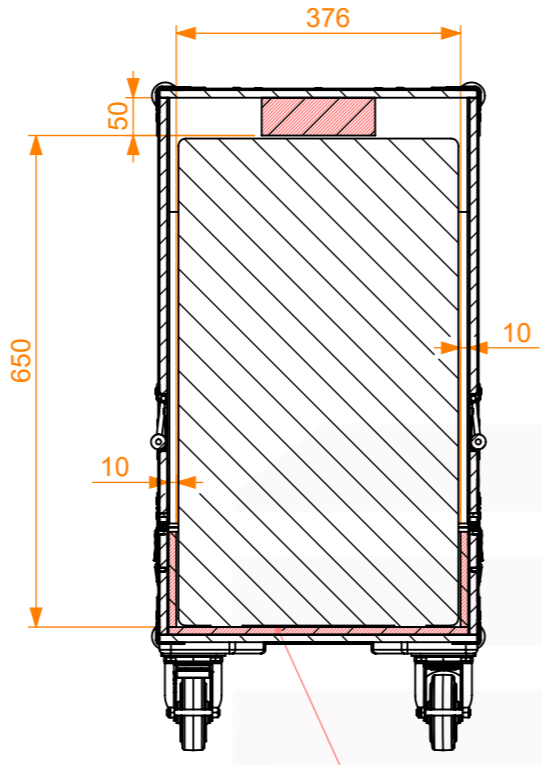
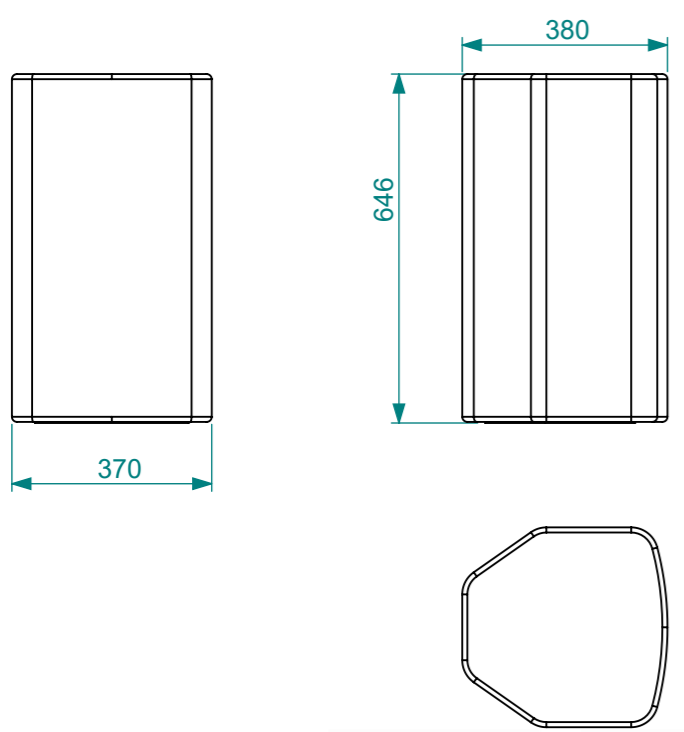


| Equipment           |                  |        | VM12P |  |  |
|---------------------|------------------|--------|-------|--|--|
| Width               | Depth            | Height |       |  |  |
| 370                 | 380              | 646    |       |  |  |
| Internal Dimensions |                  |        |       |  |  |
| Width               | Depth            | Height |       |  |  |
| 383                 | 376              | 650    |       |  |  |
| Weight              | Approx. 29.90 Kg |        |       |  |  |
| Wall Thickness      |                  |        | 10mm  |  |  |



| General External Dimensions |               |
|-----------------------------|---------------|
| W                           | Width         |
| D                           | Depth         |
| H                           | Height        |
| Usable Inner Dimensions     |               |
| Wi                          | Inside Width  |
| Di                          | Inside Depth  |
| Hi                          | Inside Height |

|           |                              |                         |
|-----------|------------------------------|-------------------------|
| Name      | CarlaSilva                   |                         |
| Date      | 29/10/2020                   |                         |
| Reference | CABINET.1000                 |                         |
| Scale     | 1:10                         | units in mm             |
|           | DO NOT SCALE                 | general tolerance 0.8mm |
|           | Flight Case PRO 2x ARB VM12P |                         |



This drawing must not be copied or disclosed without consent of the owner



A3