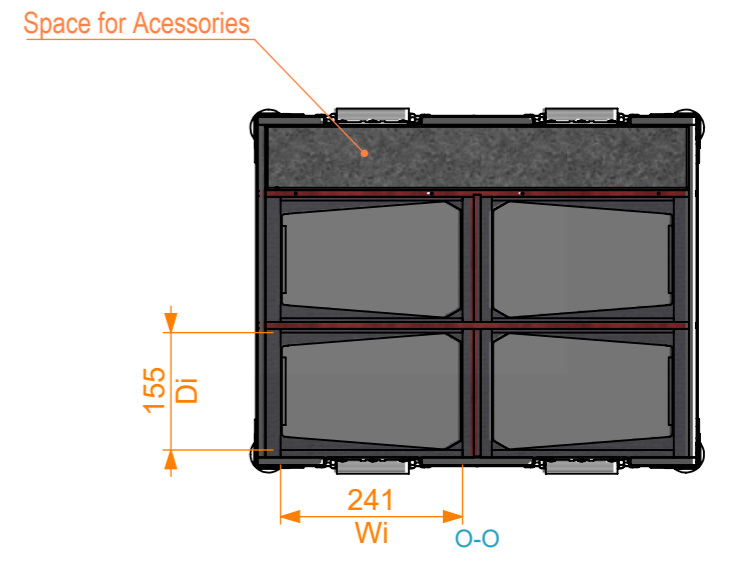
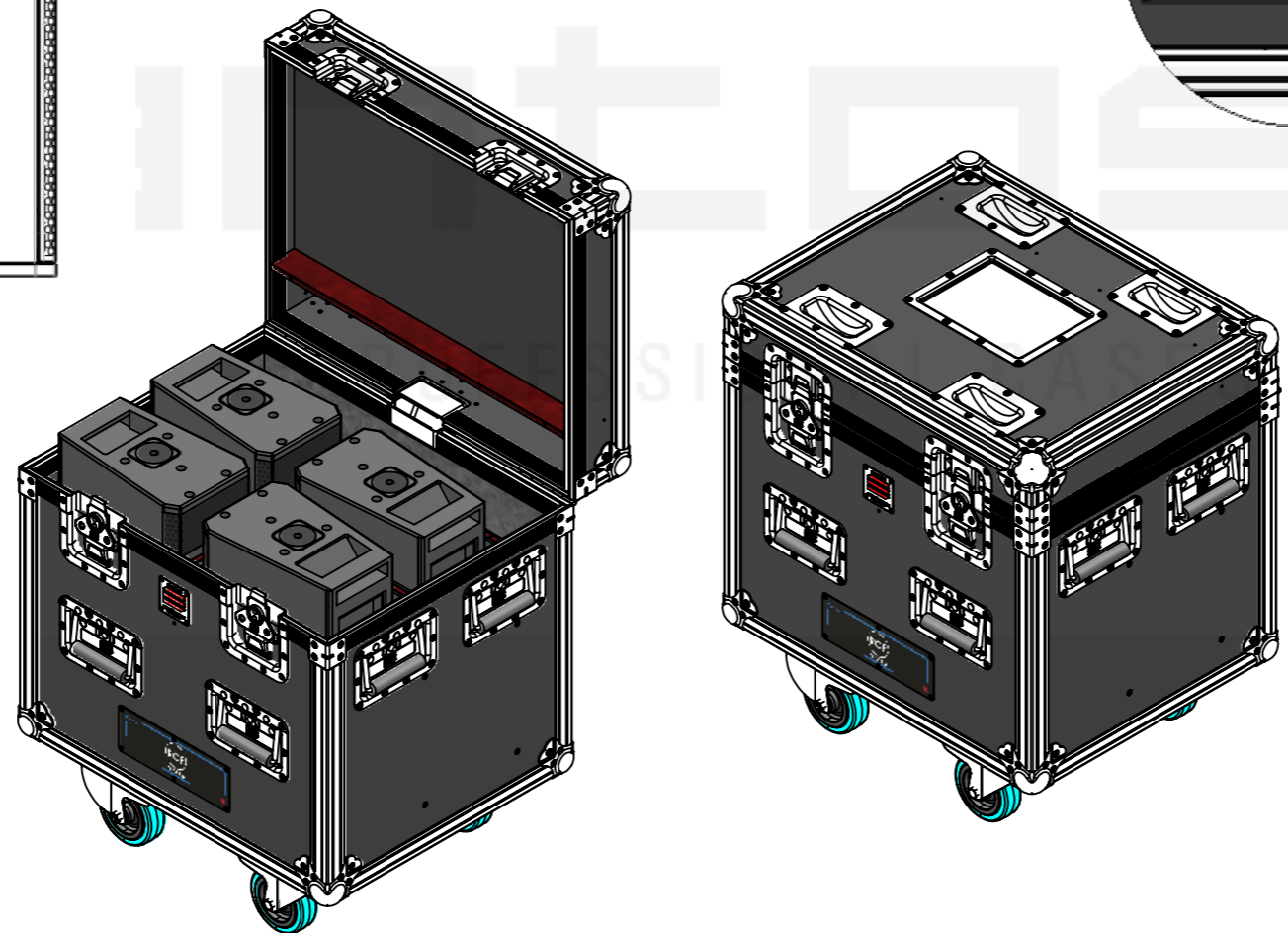
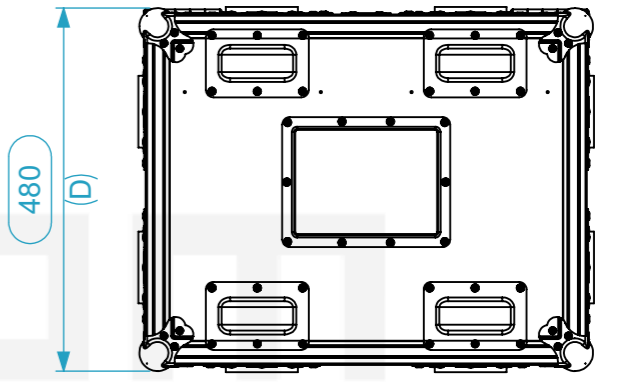
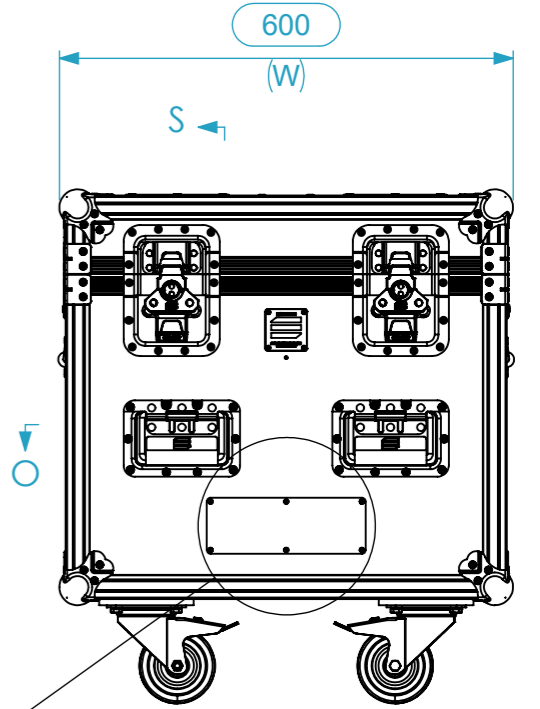
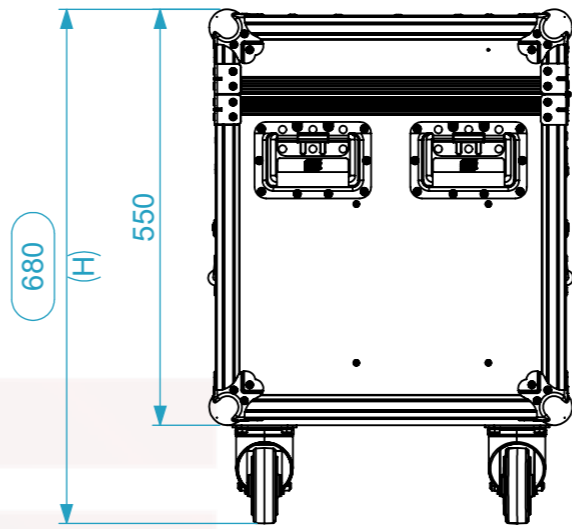
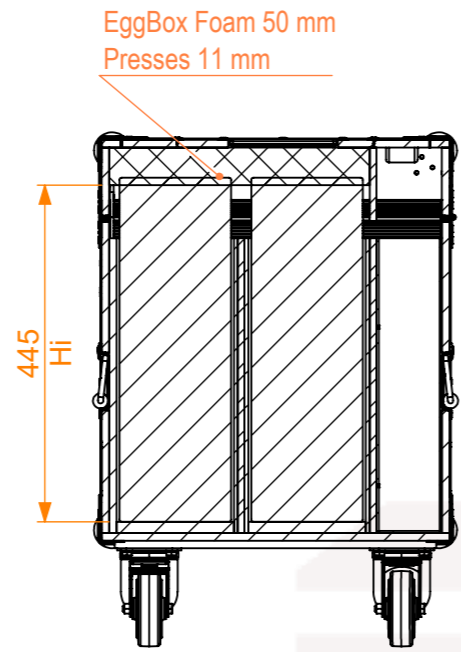
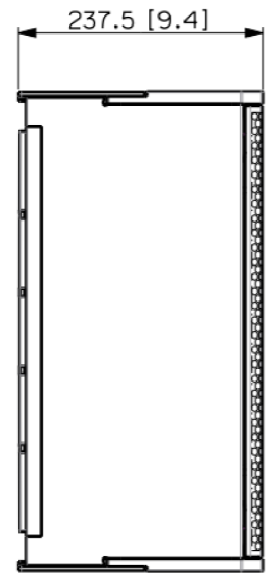
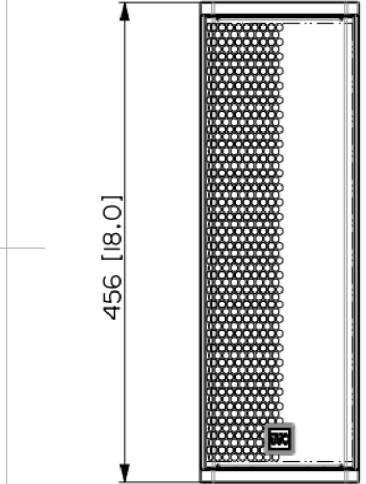
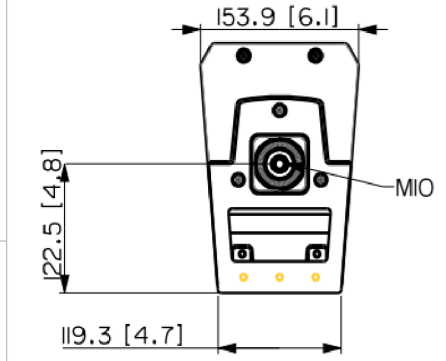


Equipment			RCF TT 515-A		
Width	Depth	Height			
238	154	456			
Weight	Approx. 10 Kg				
Internal Dimensions					
Width	Depth	Height			
556	436	506			
Weight	Approx. 29 Kg				
Wall Thickness					10mm



General External Dimensions		Usable Inner Dimensions		Wood Inner Dimensions	
W	Width	Wi	Inside Width	WWi	Wood Inside Width
D	Depth	Di	Inside Depth	WDi	Wood Inside Depth
H	Height	Hi	Inside Height	WHi	Wood Inside Height

A3 This drawing must not be copied or disclosed without consent of the owner

Name	Date
Drawn by paula.almeida	04/08/2025
Reference	CABINET.090
Scale	1:10
units in mm	general tolerance 0.8mm
DO NOT SCALE	
1st Angle projection	
Flight Case Pro, 4x RCF TT 515-A	

