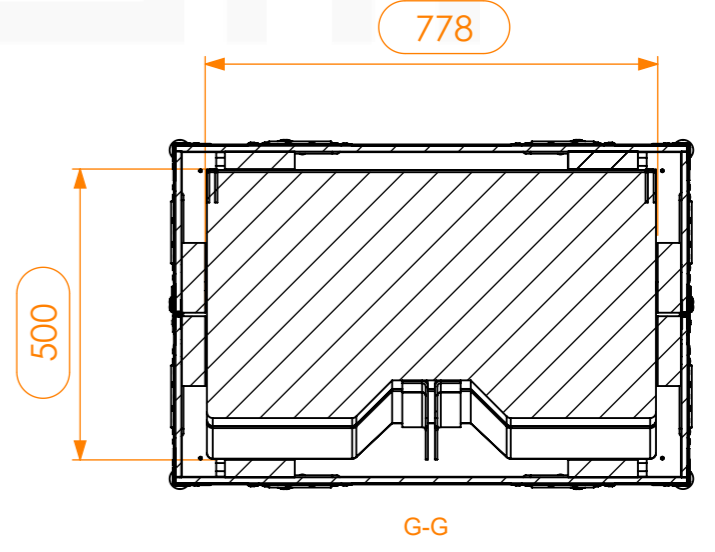
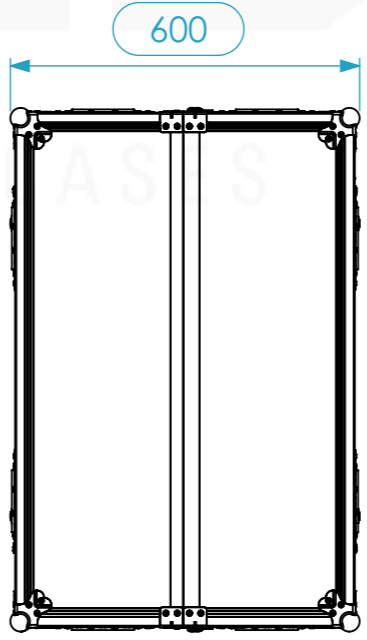
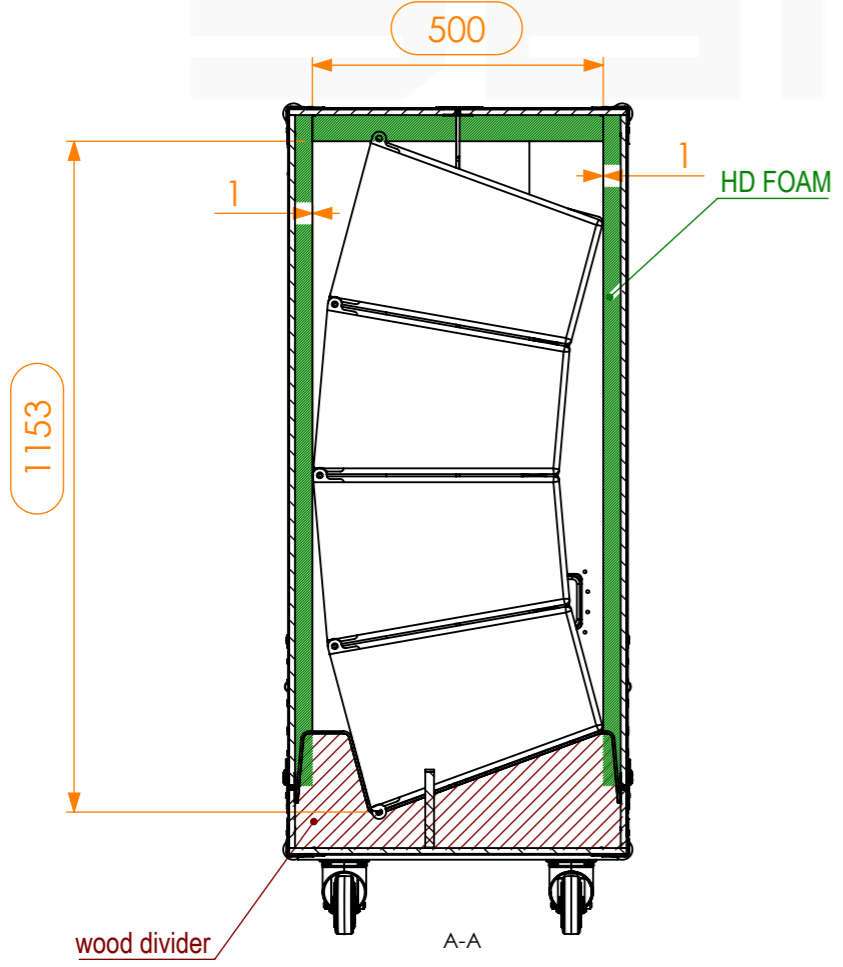
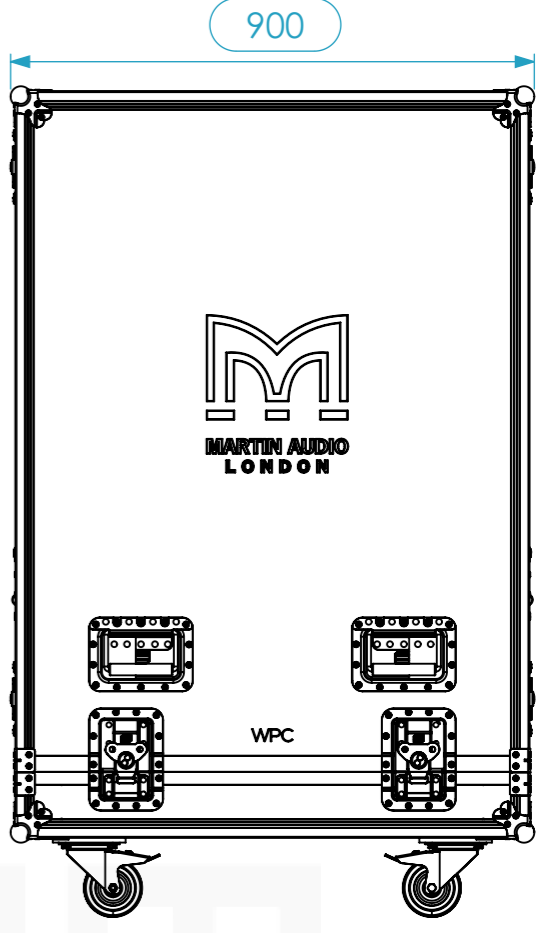
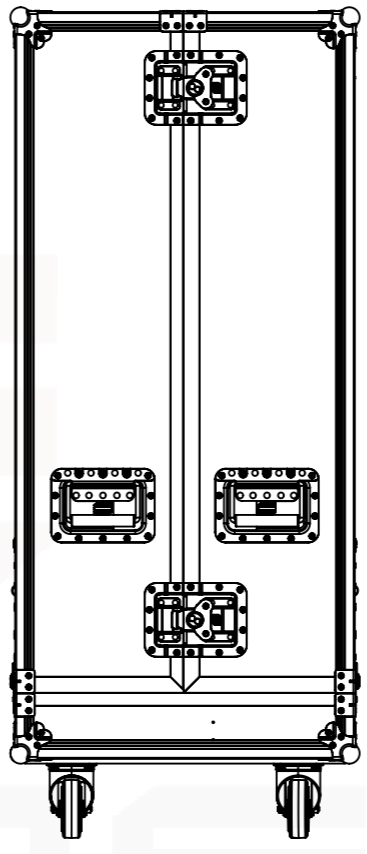
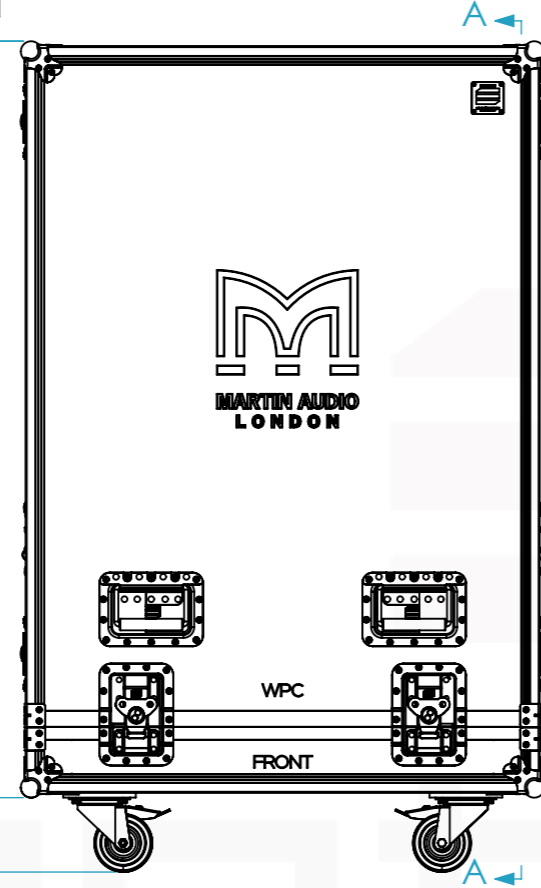


Equipment	Martin Audio WPC	
Width	Depth	Height
772	421	319
Internal Dimensions		
Width	Depth	Height
476	776	1200
Weight	Approx. 55.6 Kg	
Wall Thickness	10mm	

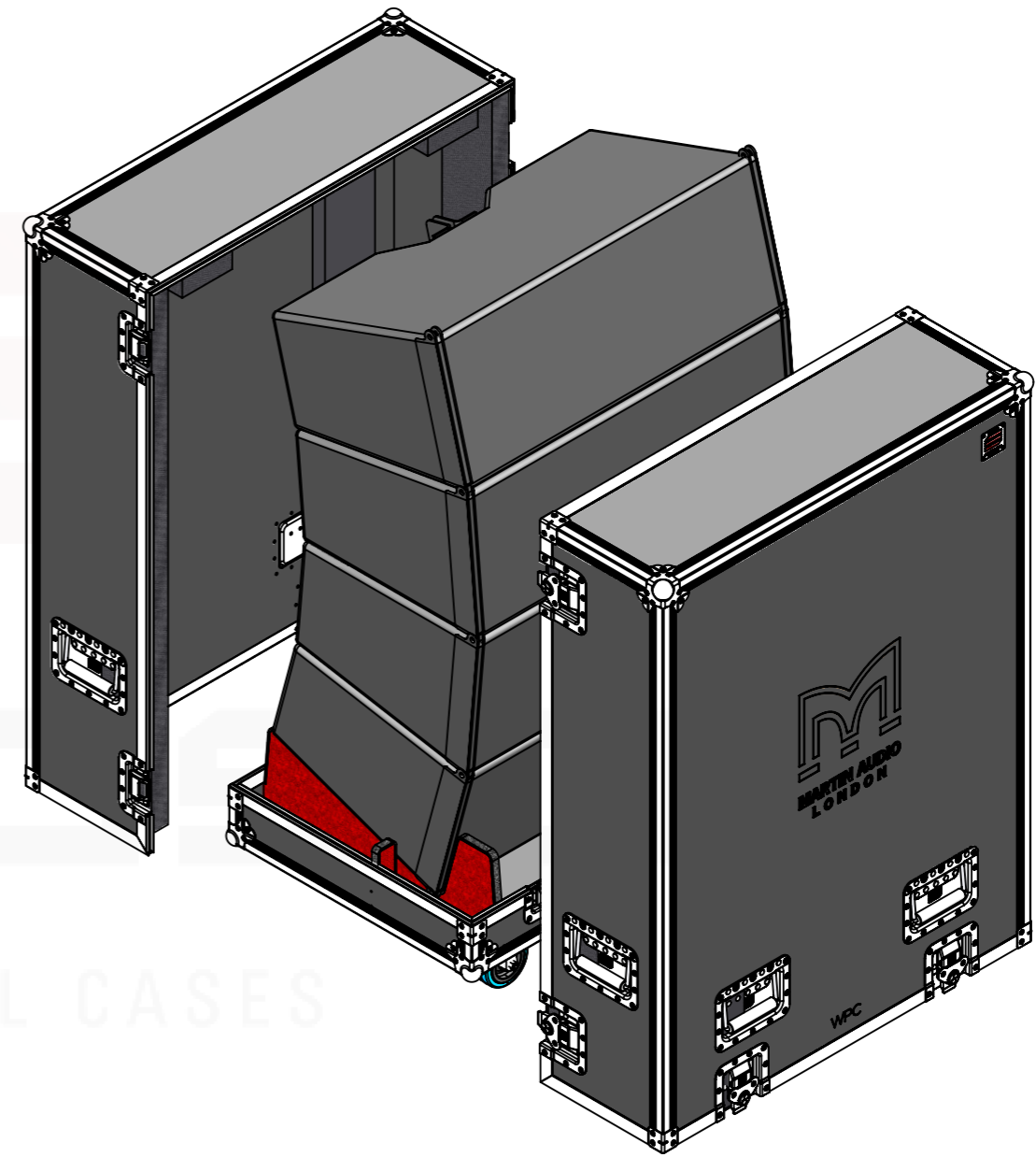
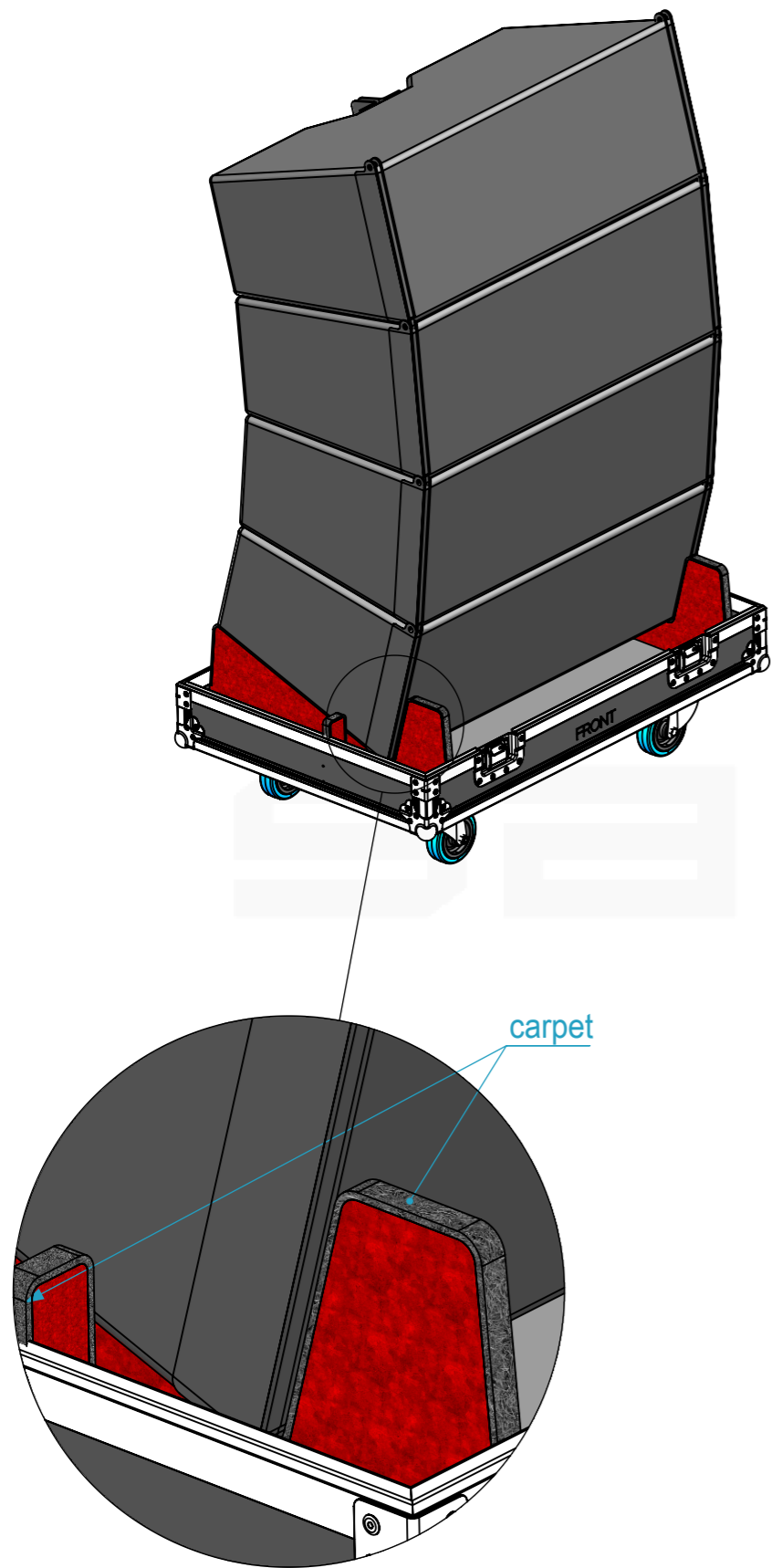


Drawn by	Name	Date
CarlaSilva	CarlaSilva	18/03/2020
Reference	CABINET.088	
Scale	units in mm	general tolerance
1:13	DO NOT SCALE	0.8mm
1st Angle projection	FLIGHT CASE PRO-3 4x Martin Audio WPC	



This drawing must not be copied or disclosed without consent of the owner

A3



PROFESSIONAL CASES

Drawn by	Name	Date
CarlaSilva	CarlaSilva	18/03/2020
Reference	CABINET.088	
Scale	units in mm	general tolerance
1:12	DO NOT SCALE	0.8mm
1st Angle projection	FLIGHT CASE PRO-3 4x Martin Audio WPC	



This drawing must not be copied or disclosed without consent of the owner

A3