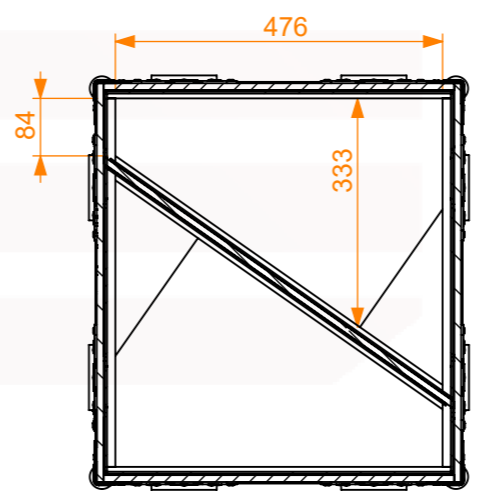
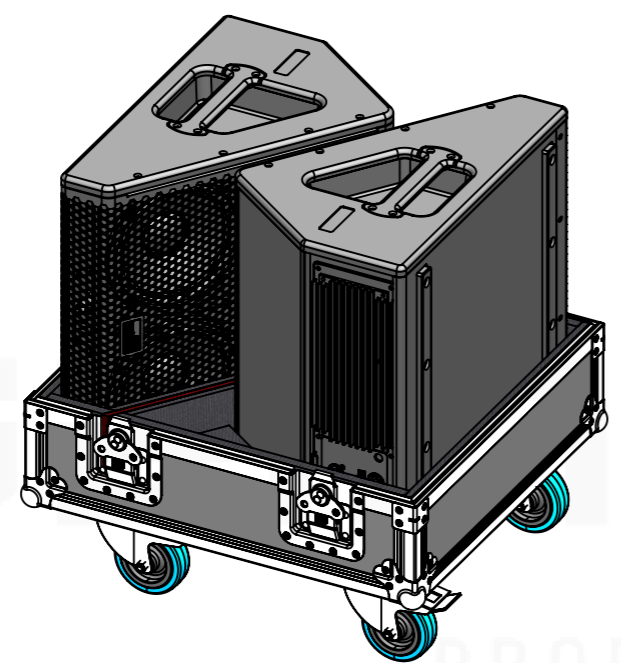
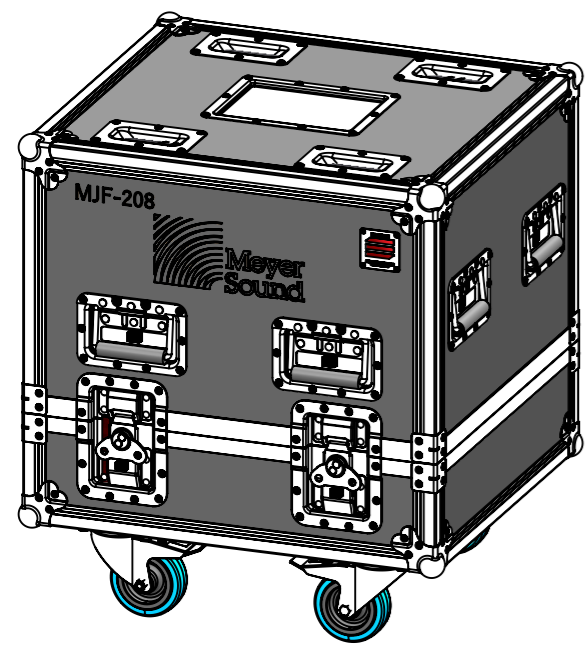
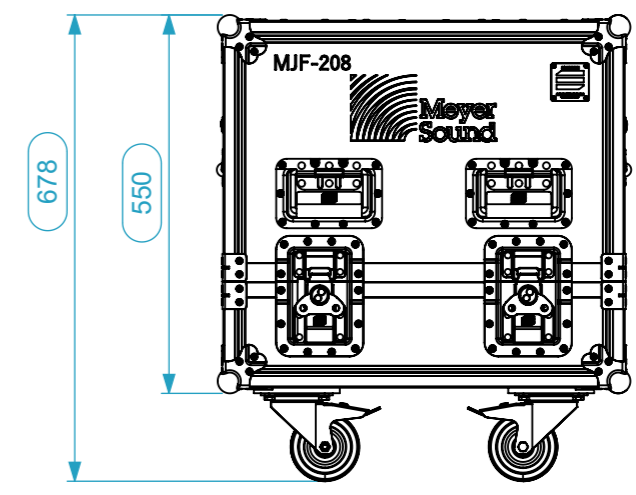
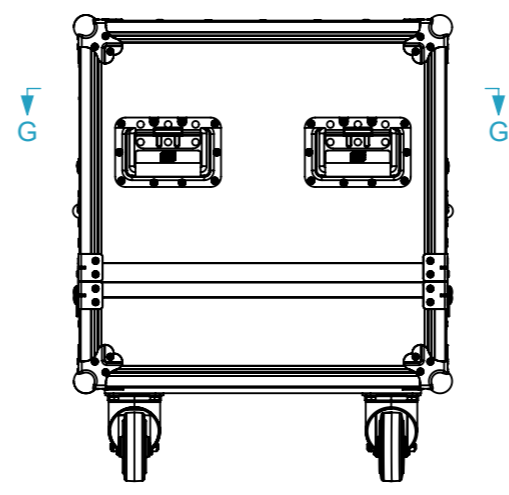
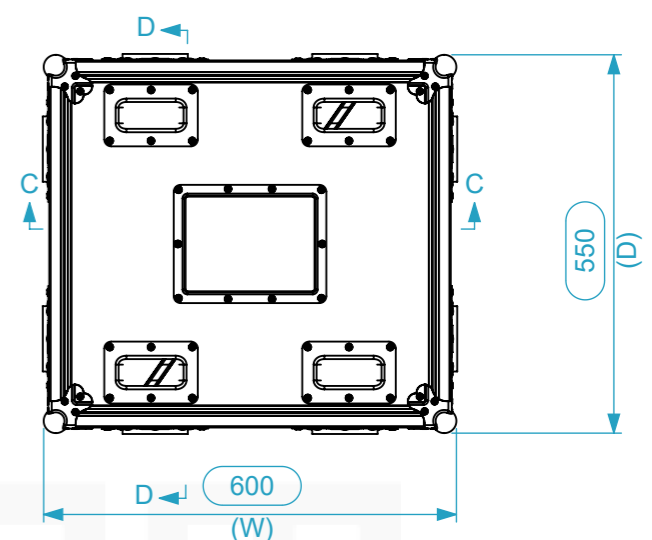


Equipment			Meyer Sound MJF-208		
Width	Depth	Height			
472	322	474			
Internal Dimensions					
Width	Depth	Height			
473	333	480			
Weight	Approx. 54.50 Kg				
Wall Thickness	10mm				

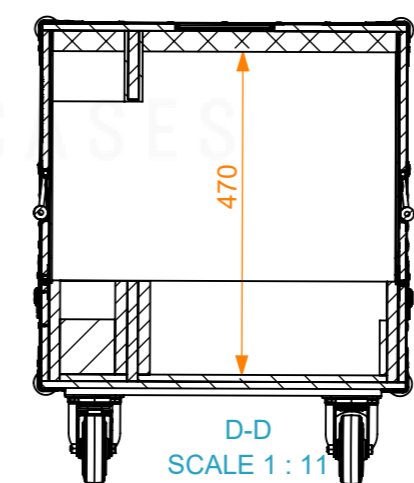
General External Dimensions	
W	Width
D	Depth
H	Height
Usable Inner Dimensions	
Wi	Inside Width
Di	Inside Depth
Hi	Inside Height
Wood Inner Dimensions	
WWi	Wood Inside Width
WDi	Wood Inside Depth
WHi	Wood Inside Height



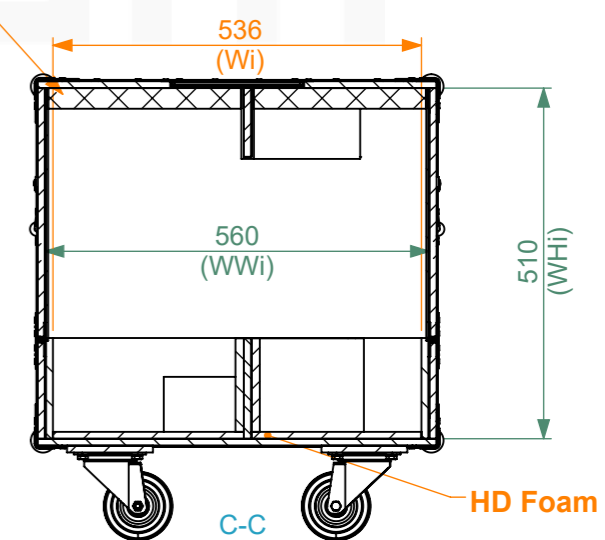
G-G
SCALE 1 : 11



Pressing Eggbox
Foam 30 mm Thick

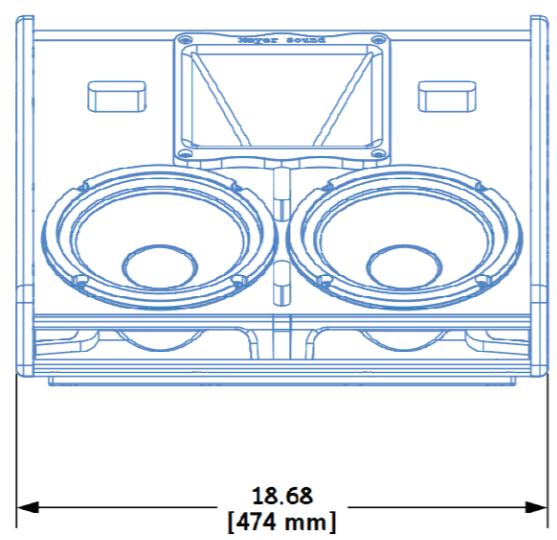
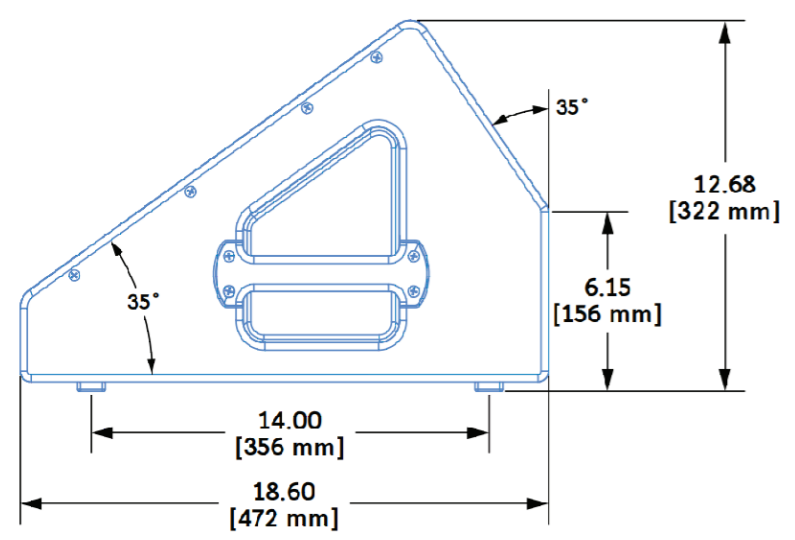


D-D
SCALE 1 : 11



C-C
SCALE 1 : 11

HD Foam



Name	Date
CarlaSilva	15/06/2020
Reference	CABINET.087
Scale	1:10
units in mm	general tolerance 0.8mm
DO NOT SCALE	
Flight case PRO 2x Meyer Sound MJF-208	



This drawing must not be copied or disclosed without consent of the owner

A3

