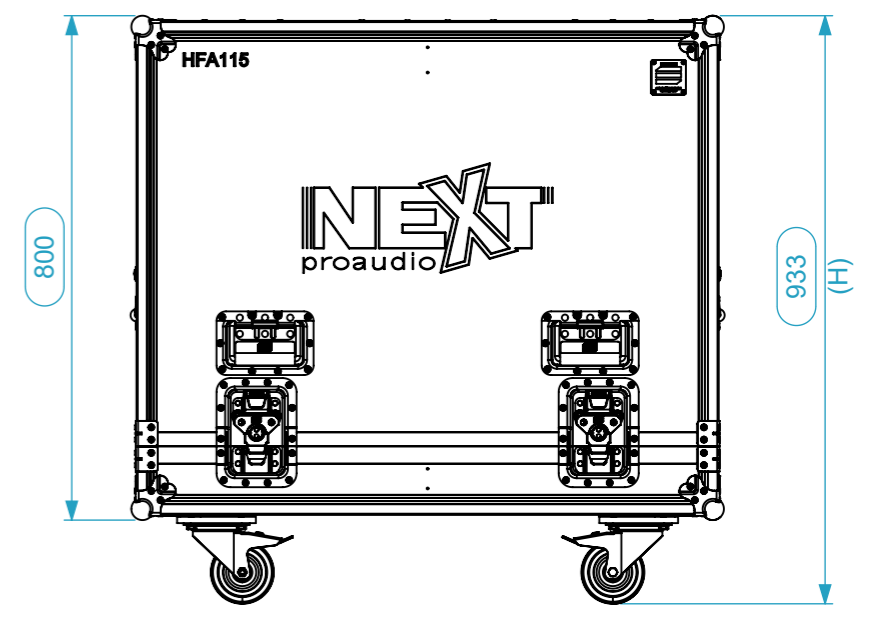
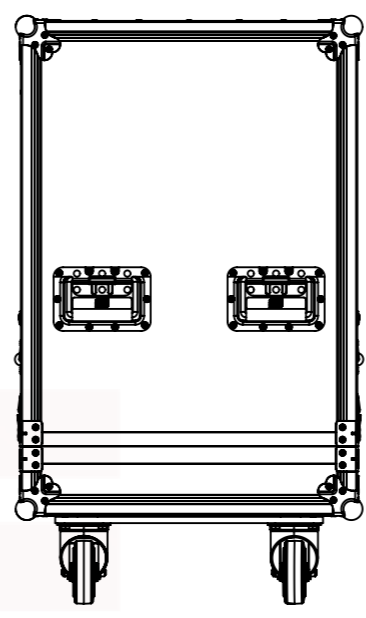
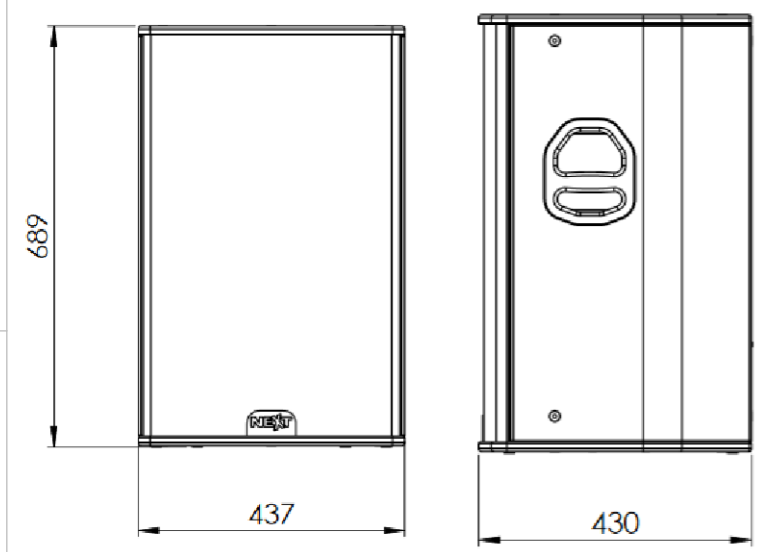
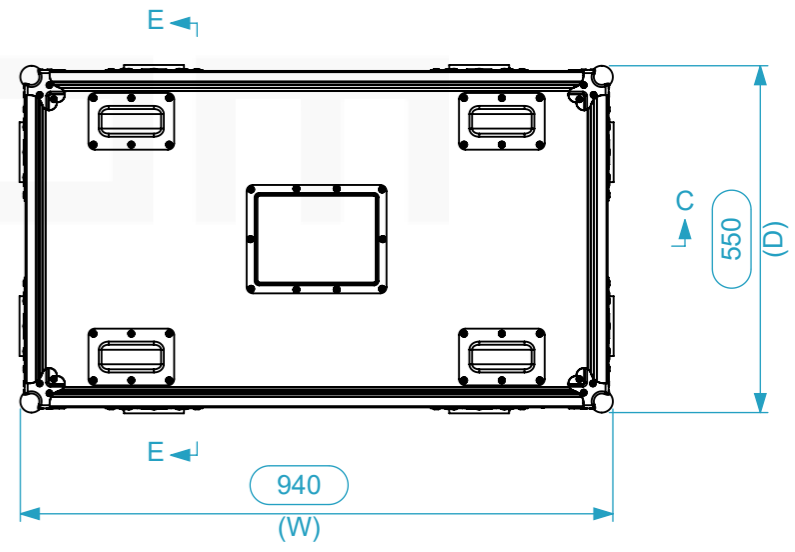
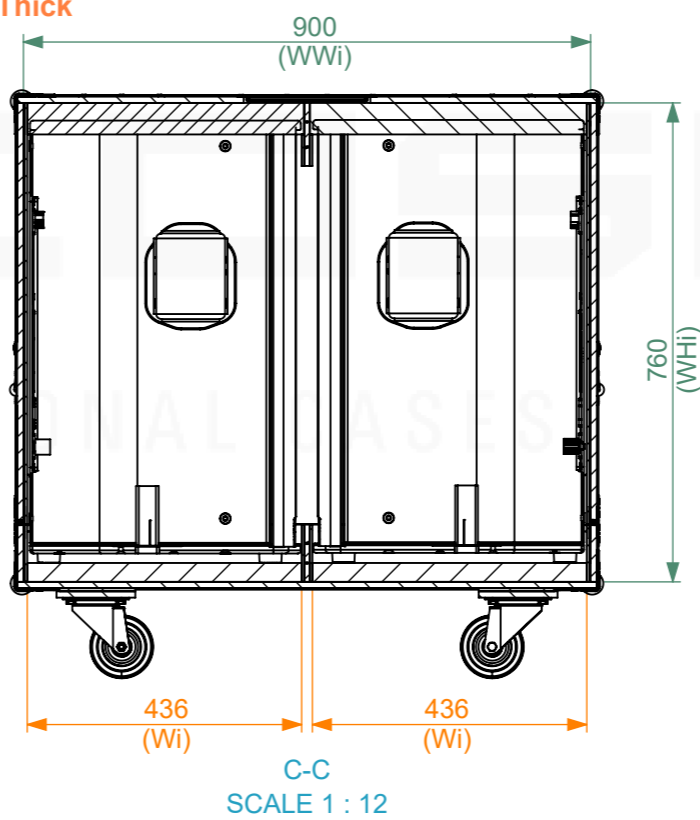
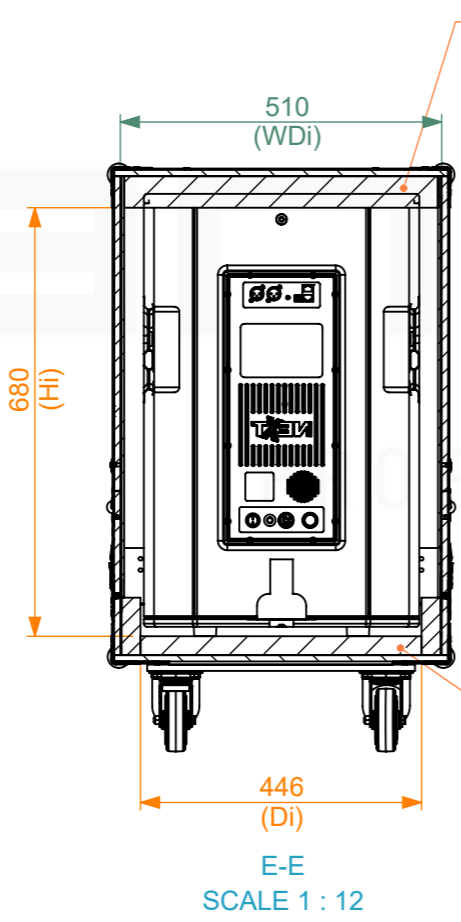
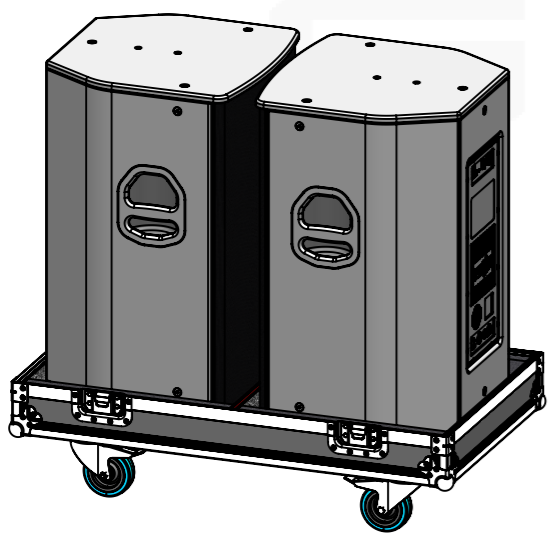


| Equipment           |                  | Next HFA115 |      |
|---------------------|------------------|-------------|------|
| Width               | 437              | Depth       | 430  |
|                     |                  | Height      | 703  |
| Internal Dimensions |                  |             |      |
| Width               | 896              | Depth       | 506  |
|                     |                  | Height      | 756  |
| Weight              | Approx. 19.81 Kg |             |      |
| Wall Thickness      |                  |             | 10mm |



Next HFA115



| General External Dimensions |        | Usable Inner Dimensions |               | Wood Inner Dimensions |                    |
|-----------------------------|--------|-------------------------|---------------|-----------------------|--------------------|
| W                           | Width  | Wi                      | Inside Width  | WWi                   | Wood Inside Width  |
| D                           | Depth  | Di                      | Inside Depth  | WDi                   | Wood Inside Depth  |
| H                           | Height | Hi                      | Inside Height | WHi                   | Wood Inside Height |

|                             |                         |
|-----------------------------|-------------------------|
| Name                        | Date                    |
| projects                    | 22/11/2019              |
| Reference                   | CABINET.075             |
| Scale                       | 1:10                    |
| units in mm                 | general tolerance 0.8mm |
| DO NOT SCALE                |                         |
| Flight Case, 2x Next HFA115 |                         |



This drawing must not be copied or disclosed without consent of the owner

1st Angle projection

A3