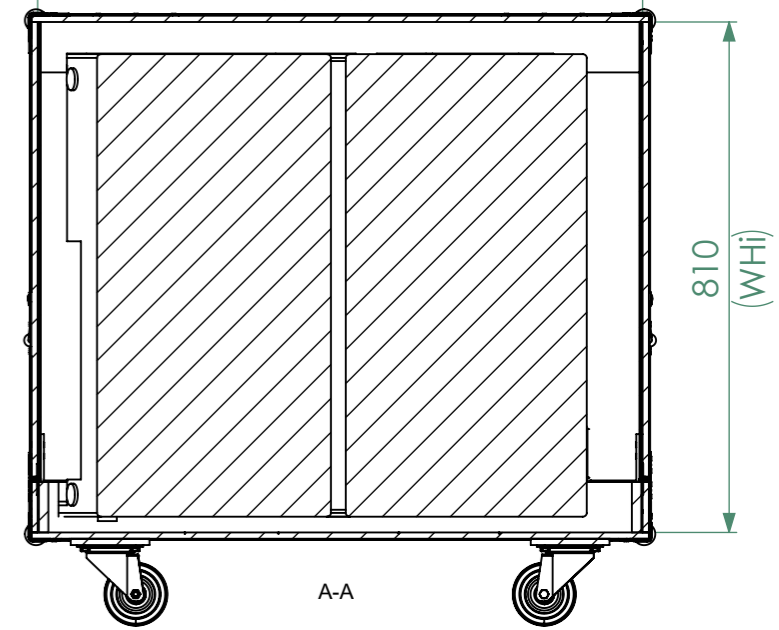
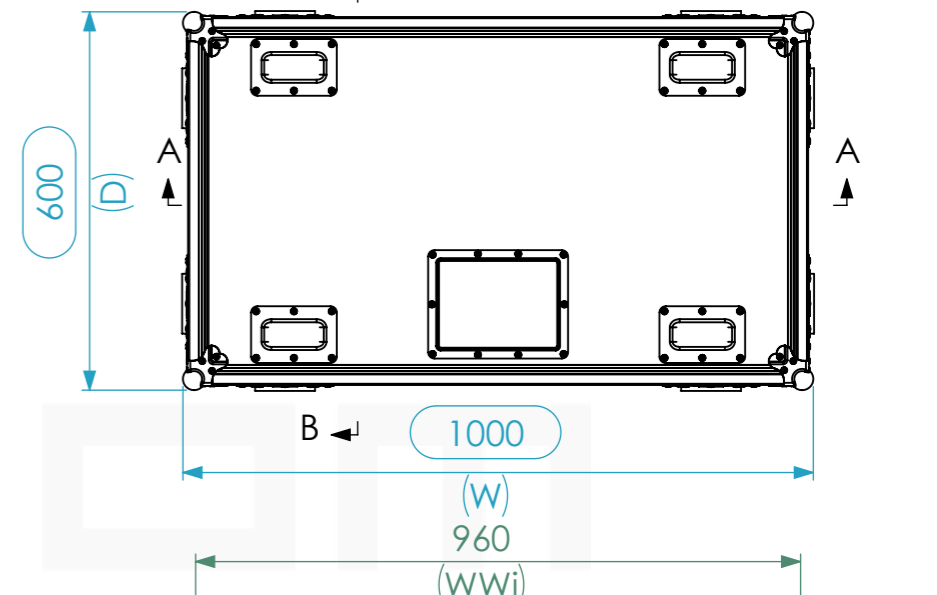
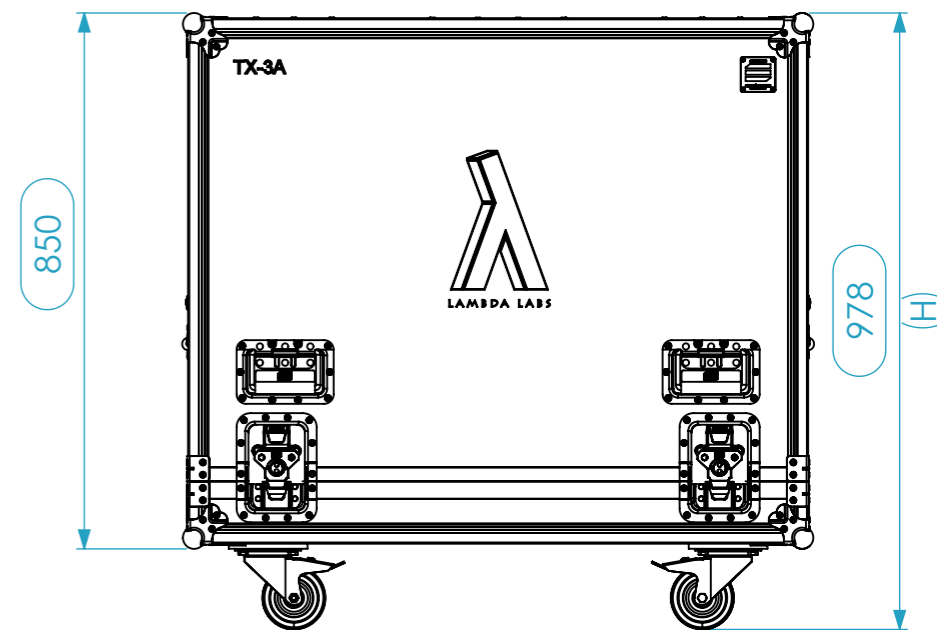
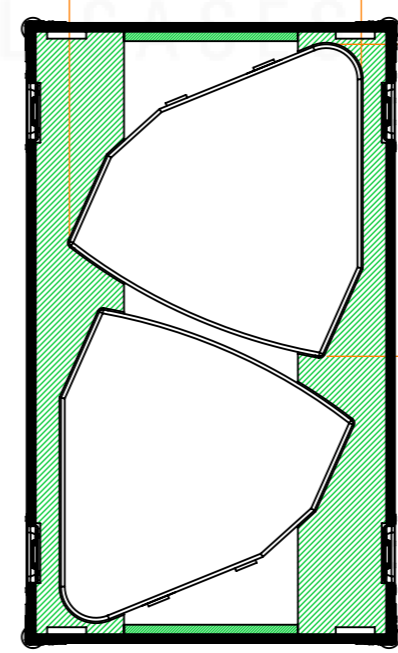
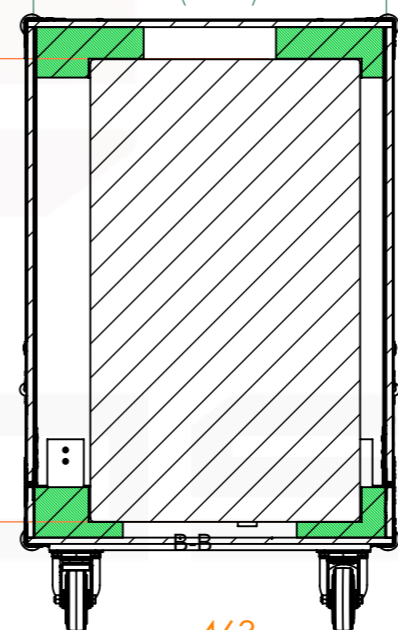
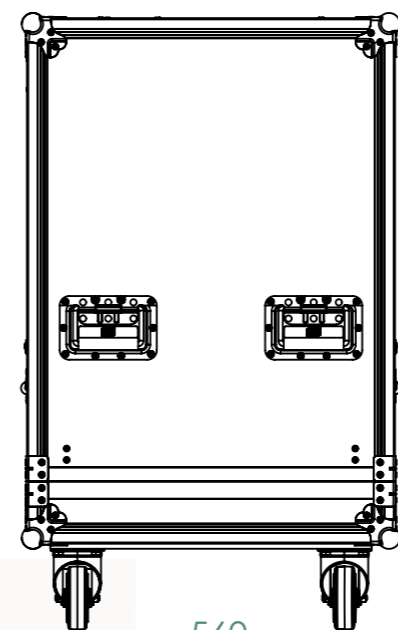
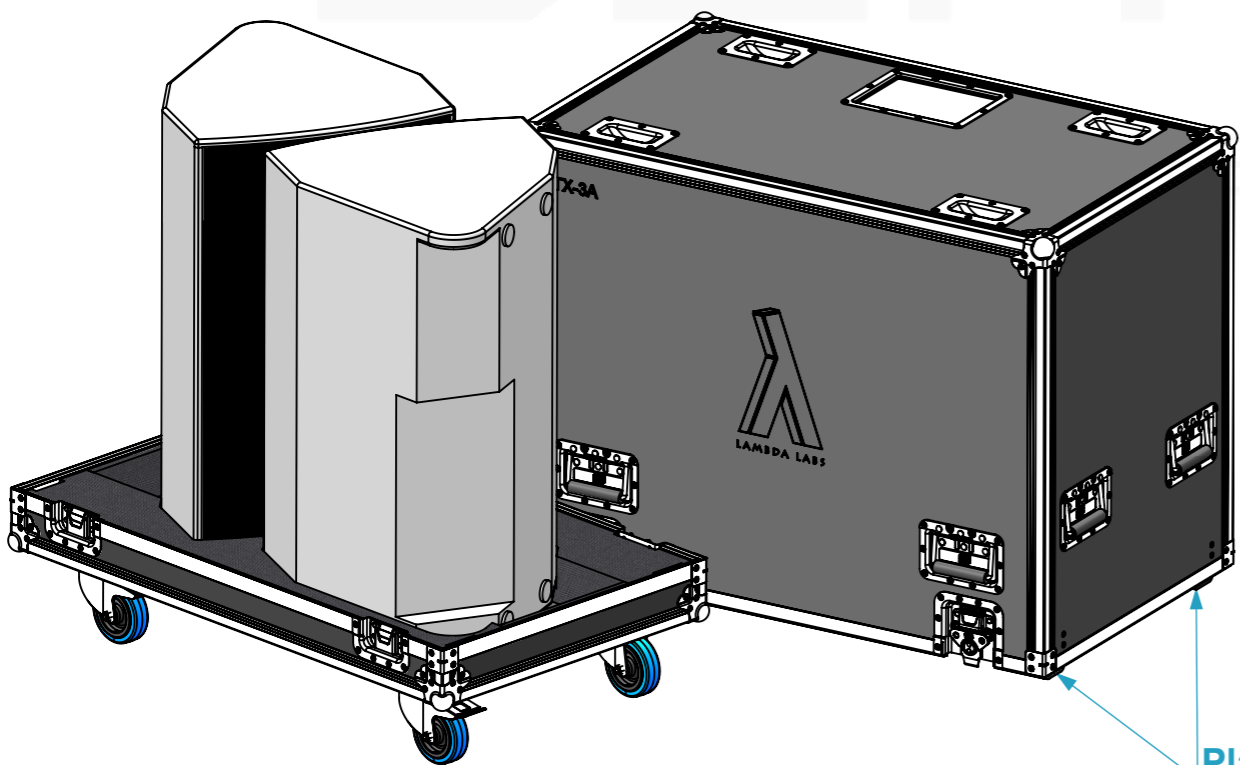
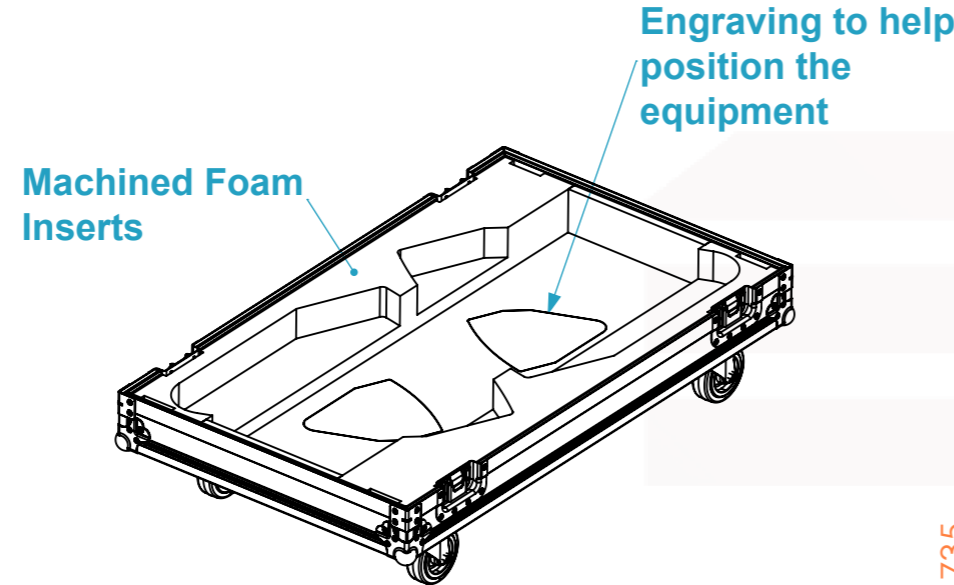
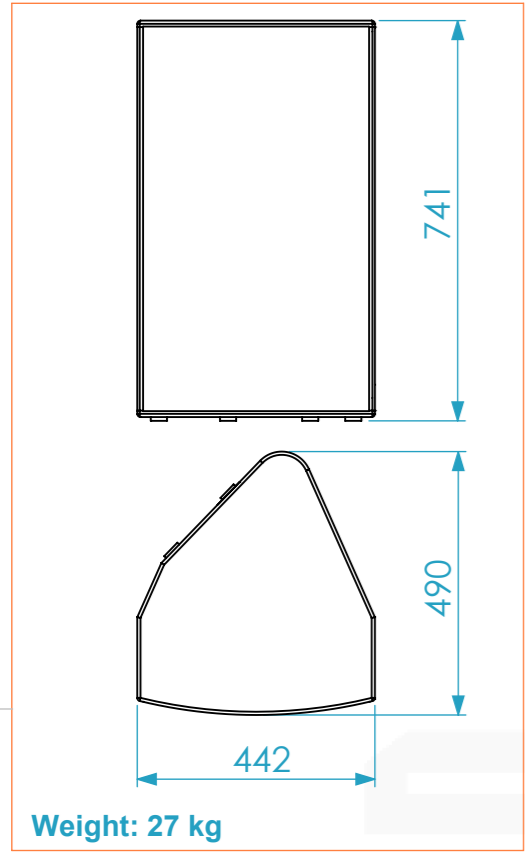


Equipment			LAMBDA TX-3A		
Width	Depth	Height			
442	490	741			
Internal Dimensions					
Width	Depth	Height			
956	556	806			
Weight	Approx. 43 Kg				
Wall Thickness			10mm		



General External Dimensions		Usable Inner Dimensions (UID)		Wood Inner Dimensions (WiD)	
W	Width	Wi	Inside Width	WWi	Wood Inside Width
D	Depth	Di	Inside Depth	WDi	Wood Inside Depth
H	Height	Hi	Inside Height	WHi	Wood Inside Height

This drawing must not be copied or disclosed without consent of the owner

Drawn by	ricardocosta	Date	03/09/2019
Reference	CABINET.067		
Scale	1:12	units in mm	general tolerance 0.8mm
1st Angle projection	Flight Case PRO 2x Lambda Labs TX-3A		



A3